

# WPSB/WPVSB REPAIR PARTS ADDENDUM

## UPDATE TO REPAIR PARTS LISTS

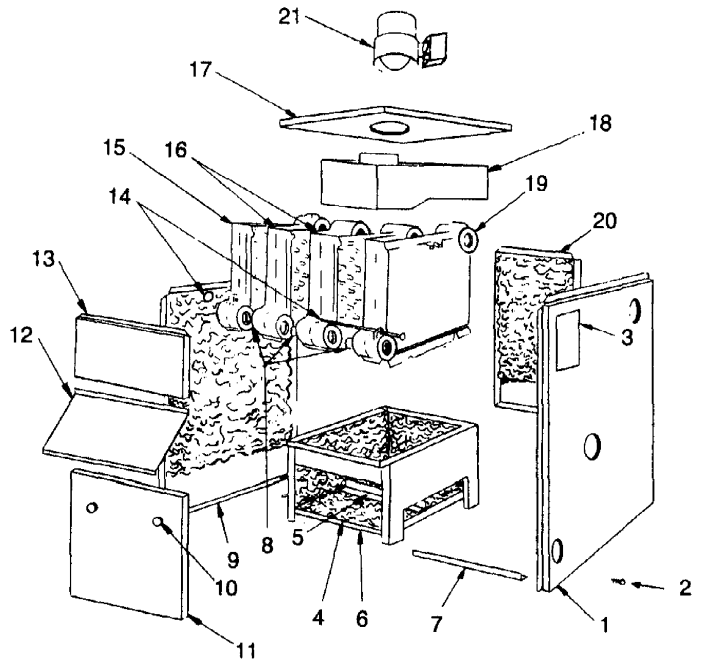
### GAS – FIRED HOT WATER BOILERS

**- IMPORTANT -  
READ THESE INSTRUCTIONS BEFORE ORDERING**

All parts are listed in the following Parts List may be ordered through your nearest supplier.

When ordering parts, first obtain the Model Number from the data plate on your boiler, than determine the Part No. (not the Key No.) and the Description of each part from the following illustrations and list. Be sure to give us all this information:

The Part No. – The Part Description – The Boiler Model No.



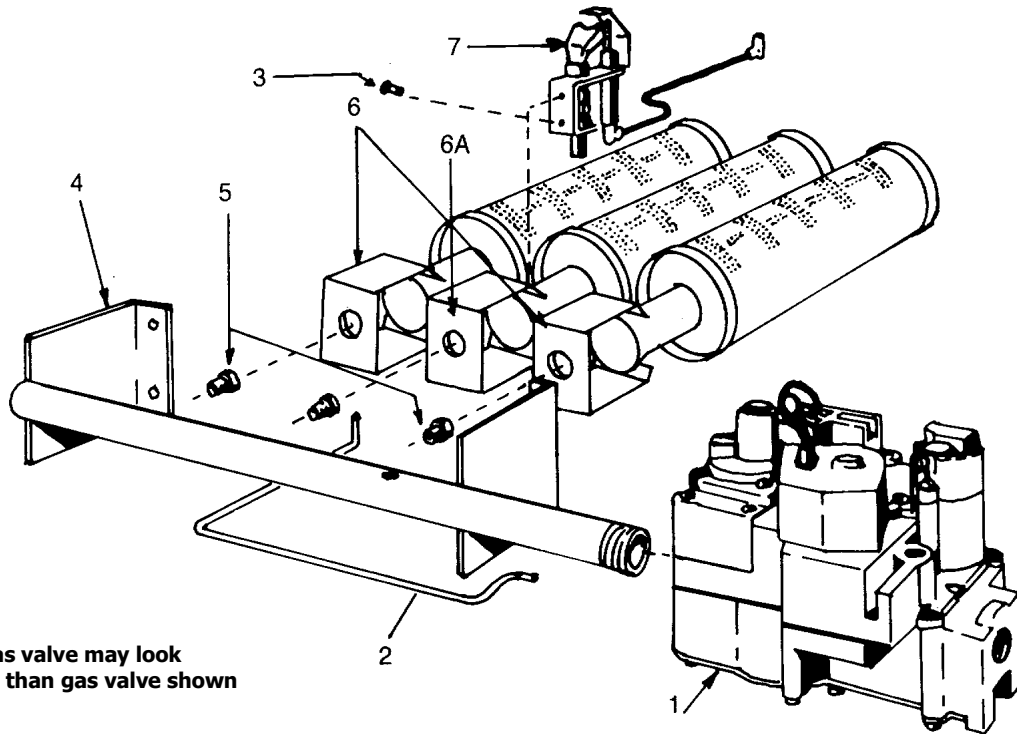
## JACKET - SECTION AND BASE PARTS

THIS IS A REPAIR PARTS LIST - NOT A PACKAGING LIST

| KEY NO. | DESCRIPTION                        | 3 SECTION   | 4 SECTION   | 5 SECTION   | 6 SECTION   | 7 SECTION   | 8 SECTION   | 9 SECTION   |
|---------|------------------------------------|-------------|-------------|-------------|-------------|-------------|-------------|-------------|
|         |                                    | Part No.    | Part No.    | Part No.    | Part No.    | Part No.    | Part No.    | Part No.    |
| 1       | Jacket, Right Side Panel           | 425-00-802  | 425-00-802  | 425-00-802  | 425-00-802  | 425-00-802  | 425-00-802  | 425-00-802  |
| 2       | #10 x 1/2 Sheet Metal Screw        | 146-95-074  | 146-95-074  | 146-95-074  | 146-95-074  | 146-95-074  | 146-95-074  | 146-95-074  |
| 3       | Rating Plate                       | 146-80-901  | 146-80-901  | 146-80-901  | 146-80-901  | 146-80-901  | 146-80-901  | 146-80-901  |
| 4       | Base Insulation - Base Sides (2)   | 146-14-130  | 146-14-130  | 146-14-130  | 146-14-130  | 146-14-130  | 146-14-130  | 146-14-130  |
|         | - Base Front                       | 146-14-113  | 146-14-114  | 146-14-115  | 146-14-116  | 146-14-117  | 146-14-118  | 146-14-119  |
|         | - Base Rear                        | 146-14-123  | 146-14-124  | 146-14-125  | 146-14-126  | 146-14-127  | 146-14-128  | 146-14-129  |
| 5       | Base Baffle                        | 425-00-643  | 425-00-644  | 425-00-645  | 425-00-646  | 425-00-647  | 425-00-648  | 425-00-649  |
| 6       | Base                               | 425-00-663  | 425-00-664  | 425-00-665  | 425-00-666  | 425-00-667  | 425-00-668  | 425-00-669  |
| 7       | Jacket Tie Bar                     | 425-00-653  | 425-00-654  | 425-00-655  | 425-00-656  | 425-00-657  | 425-00-658  | 425-00-659  |
| 8       | Push Nipple                        | 433-00-976  | 433-00-976  | 433-00-976  | 433-00-976  | 433-00-976  | 433-00-976  | 433-00-976  |
| 9       | Jacket, Left Side Panel            | 425-00-801  | 425-00-801  | 425-00-801  | 425-00-801  | 425-00-801  | 425-00-801  | 425-00-801  |
| 10      | Knob, Service Door (Pair)          | 137-02-513  | 137-02-513  | 137-02-513  | 137-02-513  | 137-02-513  | 137-02-513  | 137-02-513  |
| 11      | Jacket, Service Door               | 425-00-823  | 425-00-824  | 425-00-825  | 425-00-826  | 425-00-827  | 425-00-828  | 425-00-829  |
| 12      | Jacket, Int'd. Panel               | 425-00-813  | 425-00-814  | 425-00-815  | 425-00-816  | 425-00-817  | 425-00-818  | 425-00-819  |
| 13      | Jacket, Front Panel                | 425-00-811  | 425-00-804  | 425-00-805  | 425-00-806  | 425-00-807  | 425-00-808  | 425-00-809  |
| 14      | 1/4" Tie Rod, Nut                  | 146-05-001  | 146-05-002  | 146-05-051  | 146-05-053  | 146-05-005  | 146-05-007  | 146-05-009  |
| 15      | Boiler Section, Left               | 410-00-013  | 410-00-013  | 410-00-013  | 410-00-013  | 410-00-013  | 410-00-013  | 410-00-013  |
| 16      | Boiler Section, Middle             | 410-00-015  | 410-00-015  | 410-00-015  | 410-00-015  | 410-00-015  | 410-00-015  | 410-00-015  |
| 17      | Jacket, Top Panel                  | 425-00-843  | 425-00-844  | 425-00-845  | 425-00-846  | 425-00-847  | 425-00-848  | 425-00-849  |
| 18      | Draft Diverter                     | 425-00-673  | 425-00-674  | 425-00-675  | 425-00-676  | 425-00-677  | 425-00-678  | 425-00-679  |
| 19      | Boiler Section, Right              | 410-00-331  | 410-00-331  | 410-00-331  | 410-00-331  | 410-00-331  | 410-00-331  | 410-00-331  |
| 20      | Jacket, Back Panel                 | 425-00-833  | 425-00-834  | 425-00-835  | 425-00-836  | 425-00-837  | 425-00-838  | 633-00-1029 |
| ‡       | Jacket Complete                    | 739-00-1003 | 739-00-1004 | 739-00-1005 | 739-00-1006 | 739-00-1007 | 739-00-1008 | 739-00-1009 |
| ‡       | Block Assembly (19, 16, 15, 14, 8) | 410-00-331  | 410-00-431  | 410-00-531  | 410-00-631  | 410-00-731  | 410-00-831  | 410-00-931  |
| ‡       | Combustible Floor Plate            | 146-14-031  | 146-14-031  | 146-14-031  | 146-14-031  | 146-14-032  | 146-14-032  | 146-14-032  |
| ‡       | Cerafelt Gasket                    | 146-14-018  | 146-14-018  | 146-14-018  | 146-14-018  | 146-14-018  | 146-14-018  | 146-14-018  |
| 21      | Vent Damper                        | 118-20-05   | 118-20-06   | 118-20-06   | 118-20-07   | 118-20-07   | 118-20-07   | 118-20-07   |
| ‡       | Base Assembly (6, 5, 4)            | 433-00-663  | 433-00-664  | 433-00-665  | 433-00-666  | 433-00-667  | 433-00-668  | 433-00-669  |

# WPSB/WPVS REPAIR PARTS ADDENDUM CONTINUED

FOR USE WITH NATURAL GAS ONLY



## NATURAL GAS BURNERS AND MANIFOLD PARTS THIS IS A REPAIR PARTS LIST – NOT A PACKING LIST

### ELECTRONIC INTERMITTENT IGNITION (SHOWN)

| Key No. | Description                               | 3 SECTION  | 4 SECTION  | 5 SECTION  | 6 SECTION  | 7 SECTION  | 8 SECTION  | 9 SECTION  |
|---------|---|------------|------------|------------|------------|------------|------------|------------|
|         |   | PART NO.   | PART NO.   | PART NO.   | PART NO.   | PART NO.   | PART NO.   | PART NO.   |
| 1       | 24 Volt Gas Valve, Elect. Inter. Ignition | 146-62-052 | 146-62-052 | 146-62-052 | 146-62-058 | 146-62-058 | 146-62-058 | 146-62-058 |
| 2       | Pilot Tube                                | 146-15-005 | 146-15-005 | 146-15-005 | 146-15-005 | 146-15-005 | 146-15-006 | 146-15-006 |
| 3       | 10-32 3/16 Hex Hd. Screw                  | 146-95-301 | 146-95-301 | 146-95-301 | 146-95-301 | 146-95-301 | 146-95-301 | 146-95-301 |
| 4       | Gas Manifold                              | 146-16-033 | 146-16-034 | 146-16-035 | 146-16-013 | 146-16-014 | 146-16-015 | 146-16-016 |
| 5       | Main Burner, Orifice*                     | 146-15-031 | 146-15-031 | 146-15-031 | 146-15-035 | 146-15-035 | 146-15-035 | 146-15-035 |
| 6       | Main Burner, Regulator**                  | 146-15-532 | 146-15-532 | 146-15-532 | 146-15-532 | 146-15-532 | 146-15-532 | 146-15-532 |
| 6A      | Main Burner, Pilot Mount                  | 146-15-531 | 146-15-531 | 146-15-531 | 146-15-531 | 146-15-531 | 146-15-531 | 146-15-531 |
| 7       | Pilot Burner                              | 146-62-092 | 146-62-092 | 146-62-092 | 146-62-092 | 146-62-092 | 146-62-092 | 146-62-092 |
| ‡       | Rollout Shield                            | 146-00-933 | 146-00-934 | 146-00-935 | 146-00-936 | 146-00-937 | 146-00-938 | 146-00-939 |

### ALTERNATE PARTS FOR CONTINUOUS PILOT - 24 VOLT

|   |                                     |            |            |            |            |            |            |            |
|---|-------------------------------------|------------|------------|------------|------------|------------|------------|------------|
| 1 | 24 Volt Gas Valve, Continuous Pilot | 146-62-051 | 146-62-051 | 146-62-060 | 146-62-060 | 146-62-060 | 146-62-060 | 146-62-060 |
| 3 | 10-32 3/16 Hex Hd. Screw            | 146-95-301 | 146-95-301 | 146-95-301 | 146-95-301 | 146-95-301 | 146-95-301 | 146-95-301 |
| 7 | Pilot Burner                        | 146-62-098 | 146-62-098 | 146-62-098 | 146-62-098 | 146-62-098 | 146-62-098 | 146-62-098 |
| ‡ | Thermocouple                        | 1520001    | 146-62-039 | 146-62-039 | 146-62-039 | 146-62-039 | 146-62-036 | 146-62-036 |

Quantity is 1 unless otherwise noted.

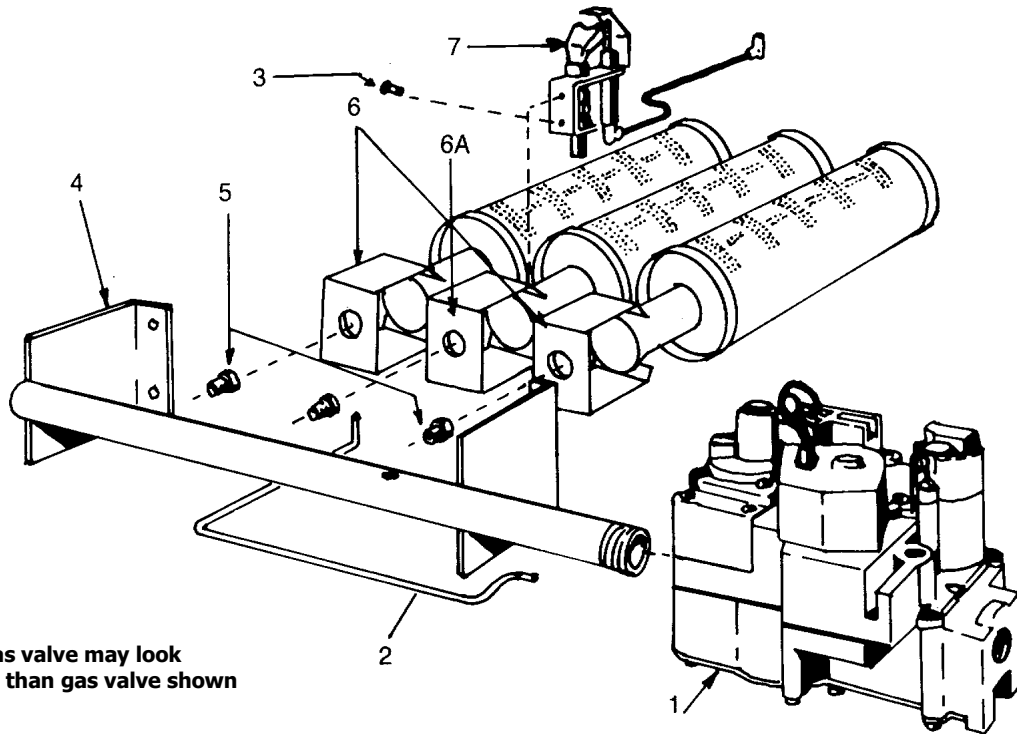
\* Requires 1 less than the number of sections.

\*\*Requires 2 less than the number of sections.

‡ Not Illustrated

# WPSB/WPVS REPAIR PARTS ADDENDUM CONTINUED

FOR USE WITH PROPANE GAS ONLY



NOTE: Actual gas valve may look different than gas valve shown

## PROPANE GAS BURNERS AND MANIFOLD PARTS THIS IS A REPAIR PARTS LIST – NOT A PACKING LIST

### ELECTRONIC INTERMITTENT IGNITION (SHOWN)

| Key No. | Description                               | 3 SECTION  | 4 SECTION  | 5 SECTION  | 6 SECTION  | 7 SECTION  | 8 SECTION  | 9 SECTION  |
|---------|---|------------|------------|------------|------------|------------|------------|------------|
|         |   | PART NO.   | PART NO.   | PART NO.   | PART NO.   | PART NO.   | PART NO.   | PART NO.   |
| 1       | 24 Volt Gas Valve, Elect. Inter. Ignition | 146-62-062 | 146-62-062 | 146-62-062 | 146-62-059 | 146-62-059 | 146-62-059 | 146-62-059 |
| 2       | Pilot Tube                                | 146-15-005 | 146-15-005 | 146-15-005 | 146-15-005 | 146-15-005 | 146-15-006 | 146-15-006 |
| 3       | 10-32 3/16 Hex Hd. Screw                  | 146-95-301 | 146-95-301 | 146-95-301 | 146-95-301 | 146-95-301 | 146-95-301 | 146-95-301 |
| 4       | Gas Manifold                              | 146-16-010 | 146-16-011 | 146-16-012 | 146-16-013 | 146-16-014 | 146-16-015 | 146-16-016 |
| 5       | Main Burner, Orifice*                     | 146-15-036 | 146-15-036 | 146-15-036 | 146-15-036 | 146-15-036 | 146-15-036 | 146-15-036 |
| 6       | Main Burner, Regulator**                  | 146-15-532 | 146-15-532 | 146-15-532 | 146-15-532 | 146-15-532 | 146-15-532 | 146-15-532 |
| 6A      | Main Burner, Pilot Mount                  | 146-15-531 | 146-15-531 | 146-15-531 | 146-15-531 | 146-15-531 | 146-15-531 | 146-15-531 |
| 7       | Pilot Burner                              | 146-62-094 | 146-62-094 | 146-62-094 | 146-62-094 | 146-62-094 | 146-62-094 | 146-62-094 |
| ‡       | Rollout Shield                            | 146-00-933 | 146-00-934 | 146-00-935 | 146-00-936 | 146-00-937 | 146-00-938 | 146-00-939 |

### ALTERNATE PARTS FOR CONTINUOUS PILOT - 24 VOLT

|   |                                     |            |            |            |            |            |            |            |
|---|-------------------------------------|------------|------------|------------|------------|------------|------------|------------|
| 1 | 24 Volt Gas Valve, Continuous Pilot | 146-62-061 | 146-62-061 | 146-62-061 | 146-62-061 | 146-62-061 | 146-62-061 | 146-62-061 |
| 3 | 10-32 3/16 Hex Hd. Screw            | 146-95-301 | 146-95-301 | 146-95-301 | 146-95-301 | 146-95-301 | 146-95-301 | 146-95-301 |
| 7 | Pilot Burner                        | 146-62-098 | 146-62-098 | 146-62-098 | 146-62-098 | 146-62-098 | 146-62-098 | 146-62-098 |
| ‡ | Thermocouple                        | 1520001    | 146-62-039 | 146-62-039 | 146-62-039 | 146-62-039 | 146-62-036 | 146-62-036 |

Quantity is 1 unless otherwise noted.

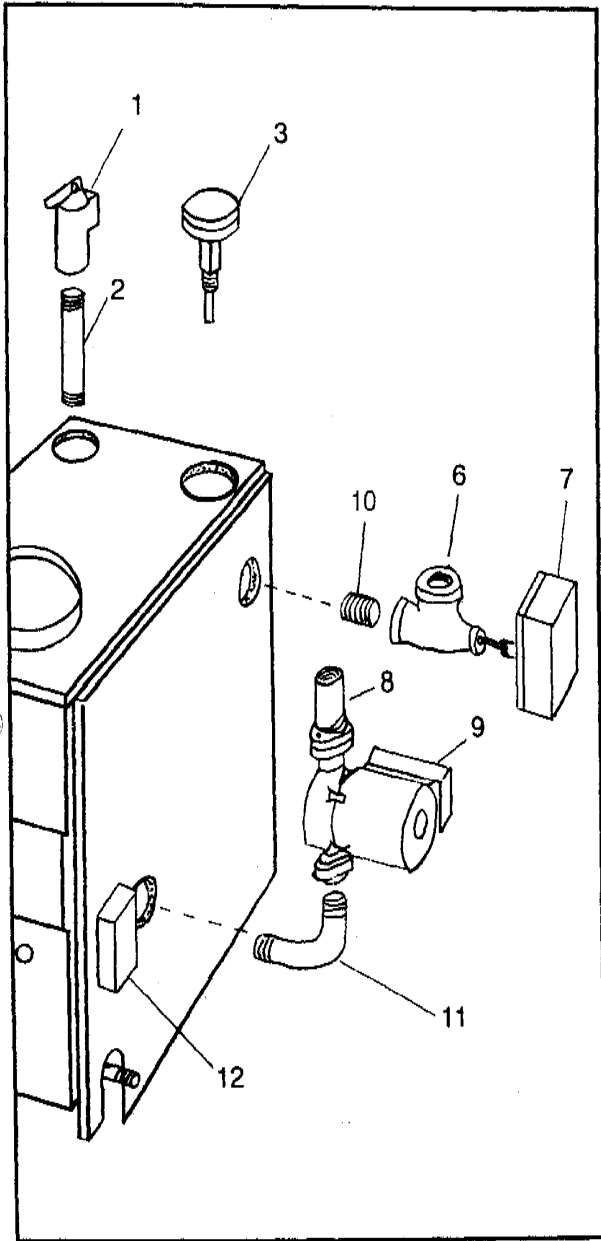
\* Requires 1 less than the number of sections.

\*\*Requires 2 less than the number of sections.

‡ Not Illustrated

# WPSB/WPVS B REPAIR PARTS ADDENDUM CONTINUED

## BOILER CONTROLS AND PIPING



| KEY NO. | DESCRIPTION  | PART NO.   |
|---------|--|------------|
| 1       | 3/4" ASME Relief Valve   | 146-22-011 |
| 2       | 3/4" X 6 1/2" Nipple   | 146-07-002 |
| 3       | Temperature Pressure Gauge – 3 1/2" Stem                           | 146-23-007 |
| 6       | 1 1/4" x 3/4" x 1 1/4" Tee   | 1510001    |
| 7       | Aquastat Relay   | 1010002    |
| ‡       | Isolation Valve Set – Grundfos                                     | 146-26-043 |
| 8       | Isolation Valve Set – Taco   | 146-26-043 |
| ‡       | Cast Iron Flange Set - Grundfos                                    | 146-26-050 |
| ‡       | Cast Iron Flange Set – Taco  | 146-26-049 |
| ‡       | Grundfos UP15-42F Circulator                                       | CI-006.01  |
| 9       | Taco 007 Circulator  | CI-001.03  |
| 10      | 1 1/4" x 2 1/2" Nipple   | 146-07-044 |
| 11      | 1 1/4" Bent Return Nipple  | 146-07-003 |
| 12      | Intermittent Pilot Control – (S8600M)                              | 146-62-071 |
| ‡       | Spill Switch (36TX16-6282) 280° F                                  | 146-60-002 |
| ‡       | Roll Out Switch  | 146-29-002 |
| ‡       | 5" Damper  | 1182005    |
| ‡       | 6" Damper  | 1182006    |
| ‡       | 7" Damper  | 1182007    |
| ‡       | Vent Damper Operator (Motor)                                       | 1140002    |
| ‡       | 2 1/2" x 1 1/4" Bushing (2 Req'd)                                  | 146-93-008 |
| ‡       | 2 1/2" Plug  | 146-93-024 |
| ‡       | 2 1/2" x 3/4" Bushing  | 146-93-083 |
| ‡       | 1/2" Plug (3 Req'd)  | 1395003    |
| ‡       | 400° F Black Silicone Rubber Adhesive Sealant (10.3 oz. Cartridge) | 146-06-020 |

‡ Not Illustrated