



CONVERSION KIT INSTRUCTIONS

NATURAL GAS TO LP CONVERSION KIT

AT SEA LEVEL FOR GWB8-IE BOILERS

2 SECTION THRU 7 SECTION GAS FIRED HOT WATER BOILERS

⚠ WARNING

Conversion kit shall be installed by qualified service agency in accordance with manufacturer's instructions and all applicable codes and requirements of authority having jurisdiction. If information in these instructions is not followed exactly, a fire, explosion or production of carbon monoxide may result causing property damage, personal injury or loss of life. Qualified service agency is responsible for proper installation of this kit. Installation is not proper and complete until operation of converted appliance is checked as specified in manufacturer's instructions supplied with the kit.

Kit installation shall be completed by qualified agency

⚠ WARNING

Fire, explosion, asphyxiation and electrical shock hazard. Improper installation could result in death or serious injury. Read this instruction and understand all requirements, including requirements of authority having jurisdiction, before beginning installation. Installation not complete until appliance operation verified per Installation, Operation & Maintenance Manual provided with boiler.

This conversion kit applies to gas-fired boilers produced on or after April, 1999 and bearing serial number date code of 1799 or newer. This kit shall be installed by a qualified service agent.

Parts list - Included with kit

Parts list - Included with kit		Qty	
1	GWB8-IE boilers at sea level	3-5 section boilers - four (4) 1/8" #51 drill size main orificed	4
		6-7 section boilers - six (6) 1/4" #51 drill size main orificed	6
		2 section induced draft boilers only - 1/8" #49 drill size main burner orifice	1
2	LP gas regulator spring (Honeywell #3393691), use to convert natural gas valve to operate with propane gas pressures.	1	
3	BDR-12 insert type pilot orifice for Q314A, Q3451B and Q3452B pilot burners.	1	
4	1/8" Brass compression fitting, use as new pilot tube to pilot burner fitting should tubing breaks during gas conversion.	1	
5	Gas conversion kit data plate.	1	

INSTALLATION INSTRUCTIONS:

1. Follow instruction TO TURN OFF GAS TO APPLIANCE. found on Operating Instruction label on boiler or in Installation, Operation & Maintenance Manual. Verify all electrical power to boiler is turned off.

⚠ WARNING

Electrical shock hazard. Turn OFF electrical power supply at service panel.

2. Remove all main burners. Take care to not disturb insulation on inside of combustion chamber or damage the pilot burner assembly.
3. Verify pilot burner type, stamped on pilot burner bracket, Q314A, Q3451B or Q3452B. Replace natural gas pilot orifice with enclosed propane gas pilot orifice BDR-12. See figure 1.
4. Replace all natural gas main burner orifices with enclosed propane gas main burner orifices. Boiler conversion kit includes enough orifices for 7 section boiler. On smaller boilers there will be extra orifices.
5. Reinstall all burners. Verify burner mounting tabs sit squarely in burner support bracket.

6. Replace natural gas regulator on gas valve with supplied propane gas regulator. Verify tapered spring on gas valve is inserted correctly. See figure 2.
7. Adhere conversion kit data plate to right side jacket panel adjacent to boiler's rating plate.
8. Test all gas piping for leaks using soap solution. Never TEST FOR LEAKS WITH AN OPEN FLAME.
9. Follow instructions in "Start-up Procedure" section of boiler's Installation, Operation & Maintenance Manual for proper startup and verification procedures.
10. Confirm gas inlet supply pressure to gas valve is within specified range as shown on conversion kit data plate.
11. Regulator spring (3393691) requires adjustment at the time of installation. Adjust manifold pressure to 10.0 inches water column.
12. Follow instructions in "Start-up Procedure" section of boiler's Installation Operation Maintenance manual for proper startup and verification procedures.

Figure 1 - Q314A, Q3451B or Q3452B

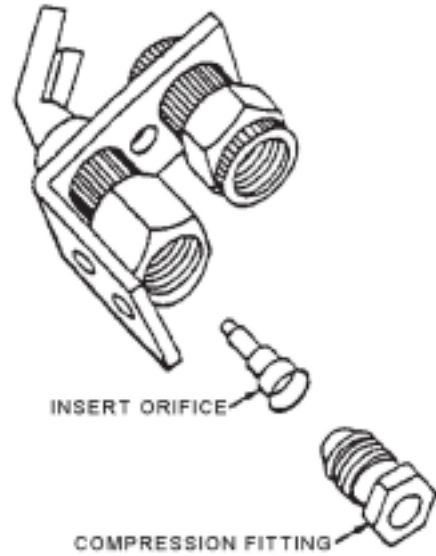


Figure 2 - VR8200, VR8204, VR8300, VR8304 Gas Valves

