

SUPPLEMENTAL INSTRUCTIONS

125/150/175/200 MBH CONVERSION INSTRUCTIONS ALUMINUM MONO BLOCK BOILERS

Please read these instructions carefully before starting the adjustment or conversion process. These changes must be performed by a qualified service agency.

WARNING

This conversion kit shall be installed by a qualified service agency in accordance with the manufacturer's instructions and all applicable codes and requirements of the authority having jurisdiction. If the information in these instructions is not followed exactly, a fire, an explosion or production of carbon monoxide may result causing property damage, personal injury or loss of life. The qualified service agency is responsible for the proper installation of this kit. The installation is not proper and complete until the operation of the converted appliance is checked as specified in the manufacturer's instructions supplied with the kit.

WARNING

Fire, explosion, asphyxiation and electrical shock hazard. Improper installation could result in death or serious injury. Read this instruction and understand all requirements, including requirements of authority having jurisdiction, before beginning installation. Installation not complete until appliance operation verified per Installation, Operation & Maintenance Manual provided with boiler.

DANGER

Before servicing, turn off electrical power to boiler at service switch. Close manual gas valve to turn gas supply OFF to boiler. Failure to comply will result in death or serious injury.

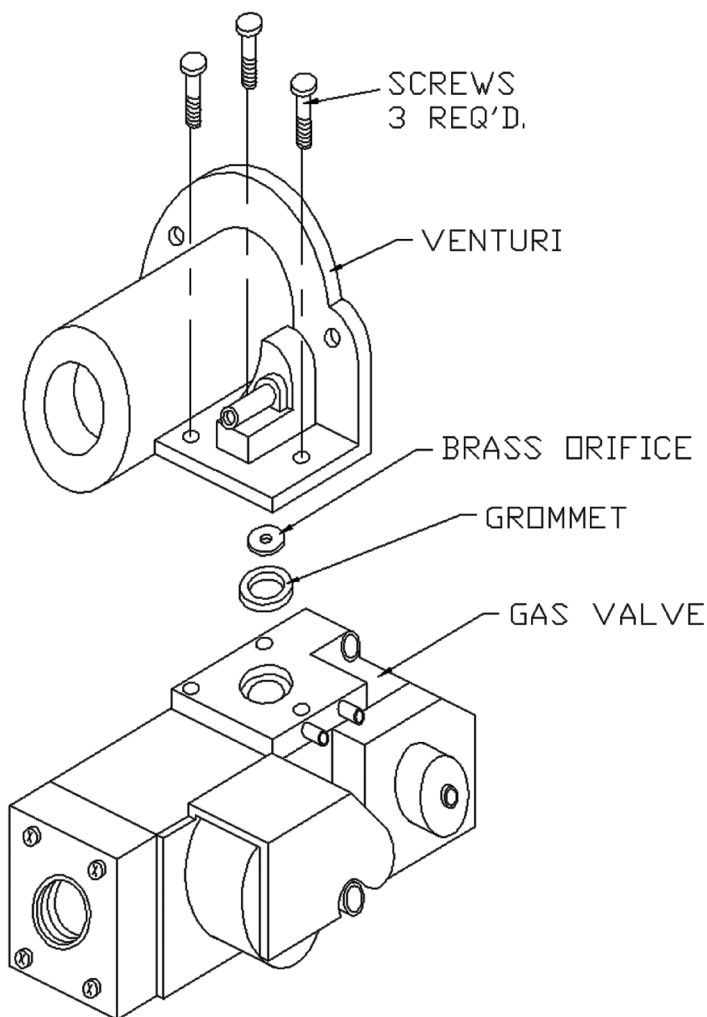
Natural Gas to Propane Gas Conversion Procedure

When changing from Natural to Propane, use correct conversion orifice for boiler model.

1. Remove front service panel
2. Turn 1/2" ball valve to the "off" position.
3. Disconnect gas supply piping from combination gas valve.
4. Disconnect gas regulator/venturi manifold gas valve from blower assembly.
5. Disconnect venturi manifold from gas regulator.
6. Insert correct Propane orifice for size of unit. See propane sizing chart for correct part number and orifice ID size.
7. Connect venturi manifold to gas regulator.
8. Connect gas regulator venturi manifold combination gas valve to blower assembly.
9. Connect gas supply piping to combustion gas valve
10. Turn 1/2" ball valve to "on" position.
11. Install front service panel.
12. Restore electrical and gas supply. Set thermostat high enough to start boiler. Restart boiler. Check for gas leaks using soapy water or commercial leak detector.
13. Fill out data on adjustment/conversion label. Place label on jacket next to rating plate.
14. Follow procedure to set unit rate as described in Installation, Operation and Maintenance Manual.

Figure 2 - Gas Assembly and Venturi

PROPANE ORIFICE SIZING CHART		
Unit Capacity	Part #	Orifice ID
125,000	1350018	3.9mm
150,000	1350019	4.4mm
175,000	1350020	5.2mm
200,000	1350021	6.0mm



Propane Gas to Natural Gas Conversion Procedure

When changing from Propane to Natural, use correct conversion orifice for boiler model.

1. Remove front service panel.
2. Turn the 1/2" ball valve to the "off" position.
3. Disconnect gas supply piping from combination gas valve.
4. Disconnect gas regulator venturi manifold gas valve from blower assembly.
5. Disconnect venturi manifold from gas regulator.
6. Remove propane orifice for size of unit.
7. Connect Venturi manifold to gas regulator.
8. Connect gas regulator venturi manifold combination gas valve to blower assembly.
9. Connect gas supply piping to combustion gas valve.
10. Turn 1/2" ball valve to "on" position.
11. Replace front service panel.
12. Fill out data on adjustment/conversion label. Place label on unit over propane label next to rating plate.
13. Follow procedure to set unit rate as described in Installation, Operation and Maintenance Manual.