

EMPIRE STEAM TANKLESS COIL CARTON WITH CONTROL

KIT #43400009 INSTRUCTIONS

WARNING



This kit must be installed by a qualified installer or service agency, in accordance with the manufacturer's instructions, and in accordance with all codes and requirements of the authority having jurisdiction. Failure to follow these instructions could result in fire or explosion resulting in property damage, personal injury, or loss of life.

Use of this coil eliminates need for hot water storage type water heater. Instantaneous heating of water in the coil will provide flow of hot water for domestic use, if proper water supply line controls are used.

NOTICE

Do not use a tank-less coil if your water is excessively hard with lime or other deposits which will accumulate inside the coil.

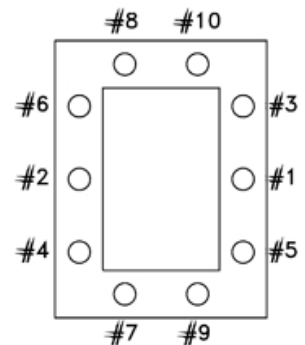
Tank-less Heater Coil Installation Instructions

1. Unpack tank-less coil, gasket, low limit control, and control well. Be sure all parts are in good order.
2. Drain boiler if necessary.
3. Remove tank-less coil housing cover plate and gasket on rear boiler section and discard.
4. Follow instructions below:
 - A. Insert all ten studs by hand into tank-less coil flange on rear section.
 - B. Place new gasket over studs and then insert tank-less coil. Be sure 3/4" NPT tapping is at bottom. See **Figure A**.
 - C. Now place lock nut on each stud. Finger tighten each lock nut.
 - D. Finally tighten down each lock nut with 9/16" socket wrench in crisscross pattern to compress gasket uniformly. Final torque should be 23 foot-pounds.
5. Install control well in 3/4" tapping in tank-less coil face plate.
6. Mount low limit control on control well. Install wiring per new or old wiring diagram depending on controls and wiring that currently exist. See *pages 2 and 3*.
7. Recommended piping is shown in **Figure B**. Optional tempering valve (mixing valve) is recommended to prevent scalding hot water from reaching faucets.

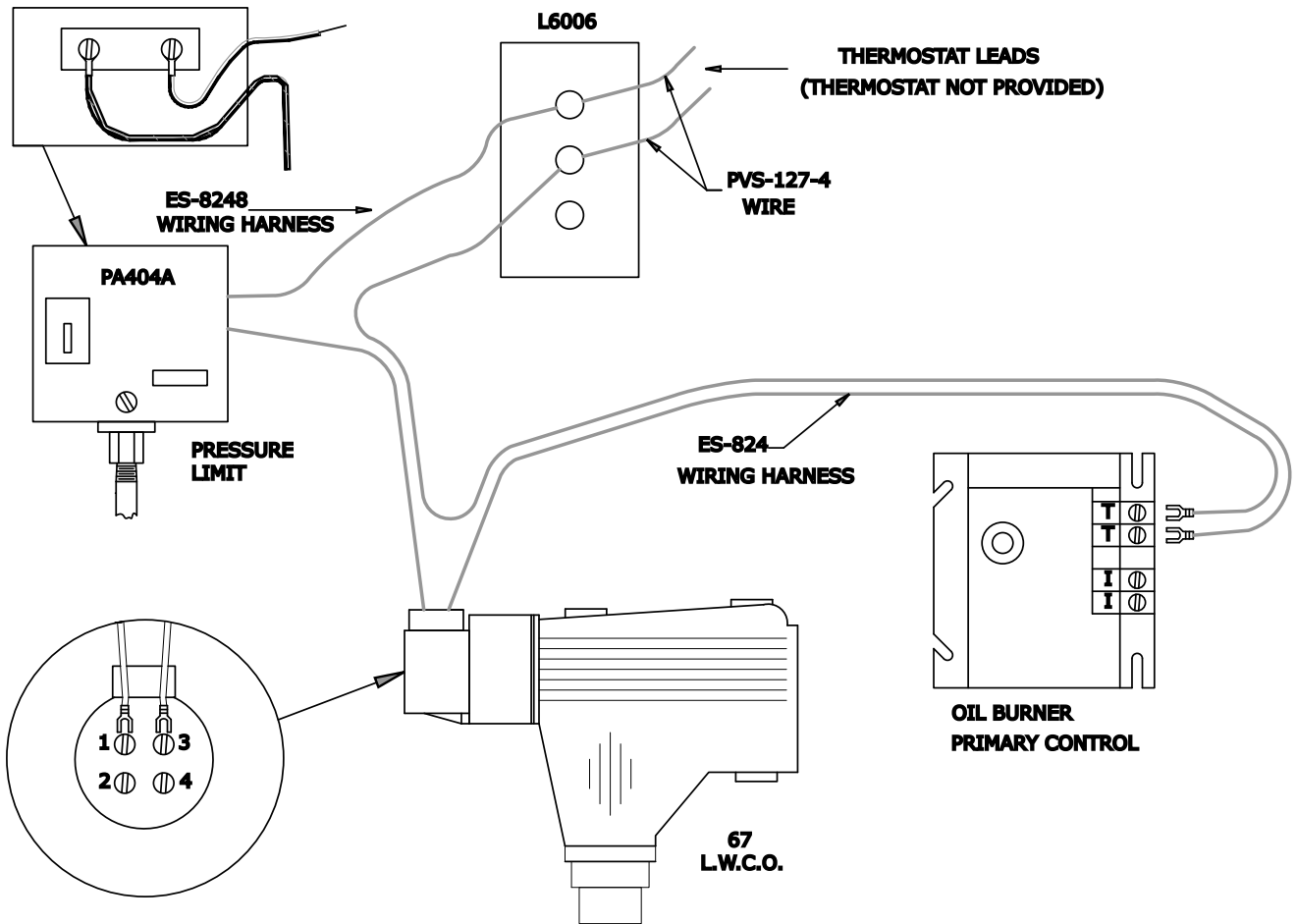
CARTON INCLUDES FOLLOWING ITEMS

QTY	DESCRIPTION	PART #
1	Empire Steam Tank-less Coil	14627019
1	Control Well 123870A	14662017
1	14662018 Low Limit Control	14662018
1	Tank-less Coil Gasket	14693064
10	3/8" stainless steel studs	14695113
10	3/8" serrated flange lock nuts	14695126
1	Kit Instructions	19808 REV A

Recommended
Criss-Cross
Tightening
Pattern



"OLD" STYLE WIRING USED PRIOR TO 9/10/96



"NEW" STYLE WIRING USED AFTER TO 9/10/96

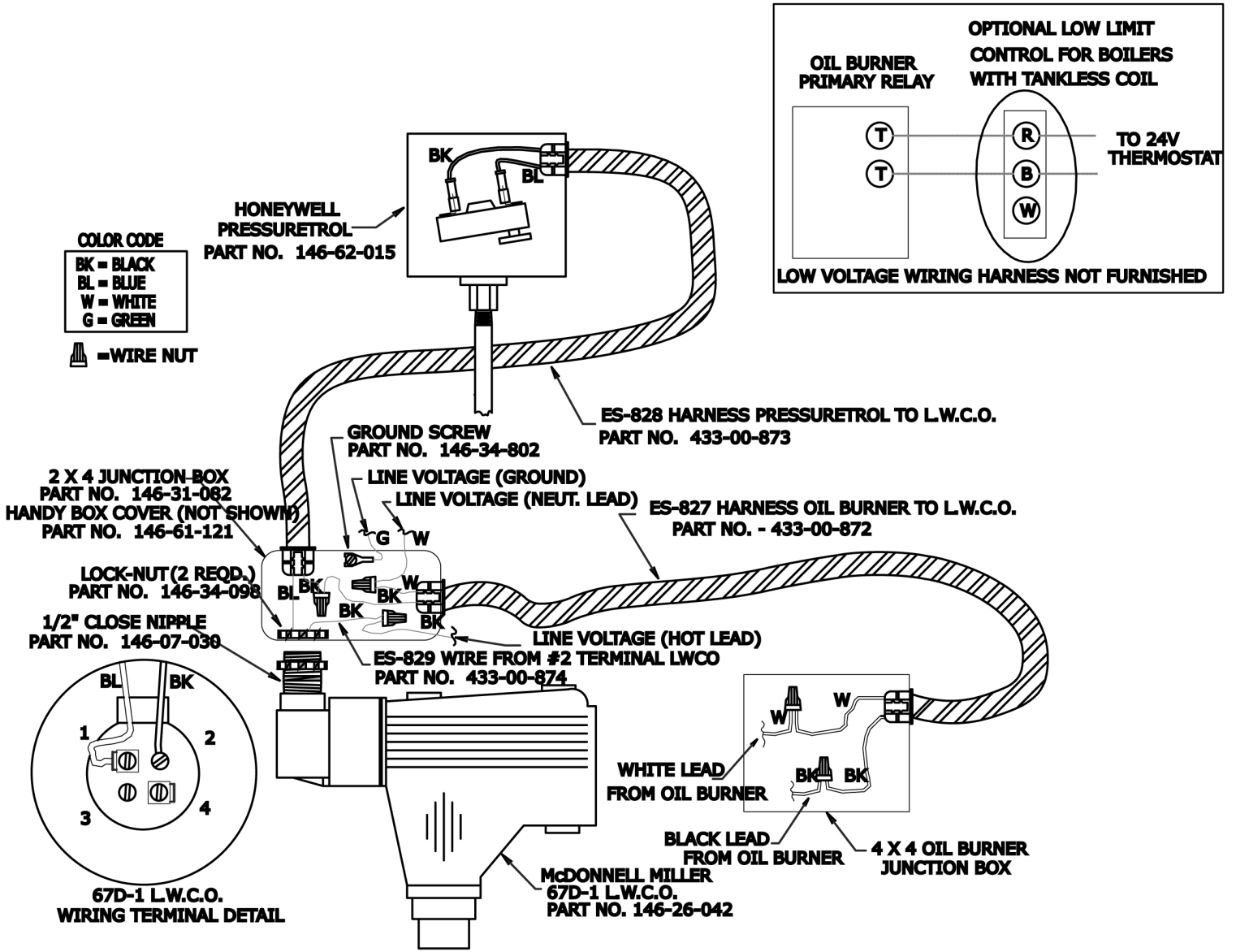


FIGURE A

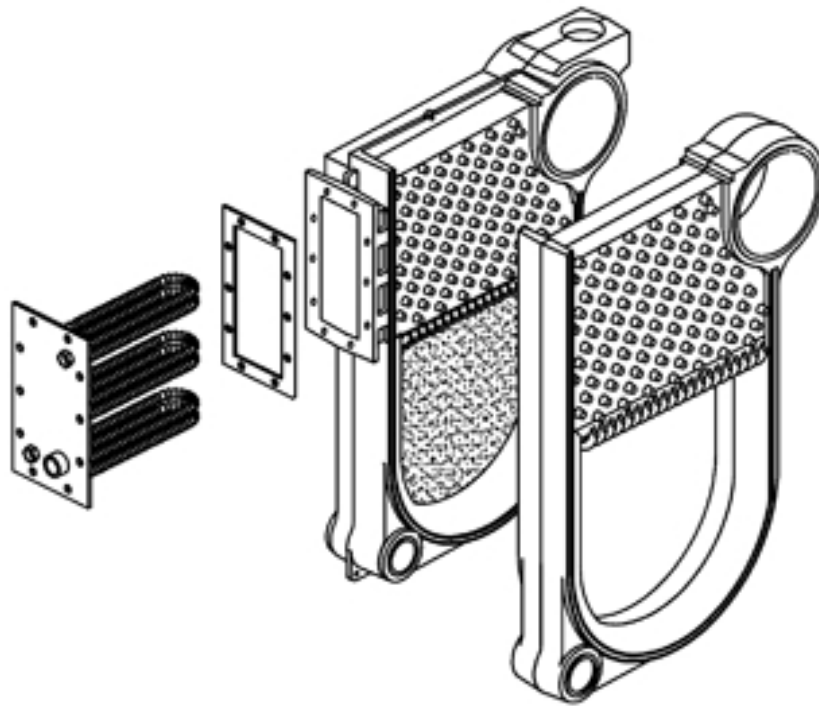


FIGURE B

