



Repair Parts

Model No.

K90-125
K90-150
K90-175
K90-200

CAUTION

Read all instructions carefully before starting the installation.

Save this manual for reference.

These instructions must be affixed on or adjacent to the boiler.

REPAIR PARTS



GAS-FIRED DIRECT VENT CONDENSING HOT WATER BOILER

- ***REPAIR PARTS***
- ***ACCESSORIES***

P/N# 240005123K, Rev. E [08/2011]

TABLE OF CONTENTS

Circulator Pumps (Optional)	2
Burner Assembly	3
Boiler Block and Piping Assembly	4
Jacket and Base Assembly	6
Exhaust Tee and Condensate Trap Assembly.....	8
Mixer and Air Pressure Switch Assembly	9
Flue Adapter and Exhauster Assembly	10

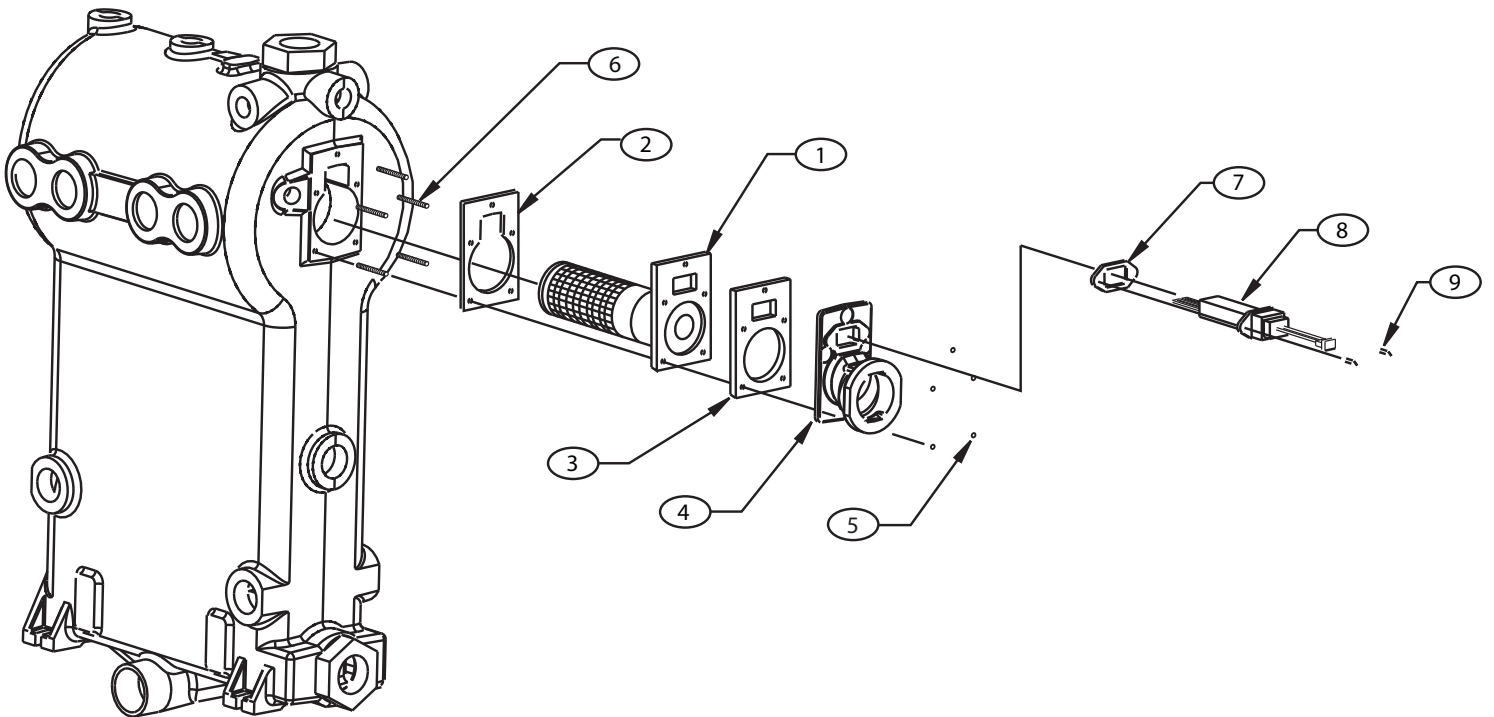
CIRCULATOR PUMPS (OPTIONAL)

PART NO.	DESCRIPTION	QTY.
CI-001.01	Circulator Pump w/Flange, B&G	1 ^(a)
CI-001.03	Circulator Pump w/Flange, Taco	
CI-006.01	Circulator Pump w/Flange, Grundfos	
14626043	Ball Valve, 1¼" Set (Male & Female)	1 ^(b)

^(a) Please specify pump when ordering. Consult factory for details.

^(b) Not available on all models. Consult factory for details.

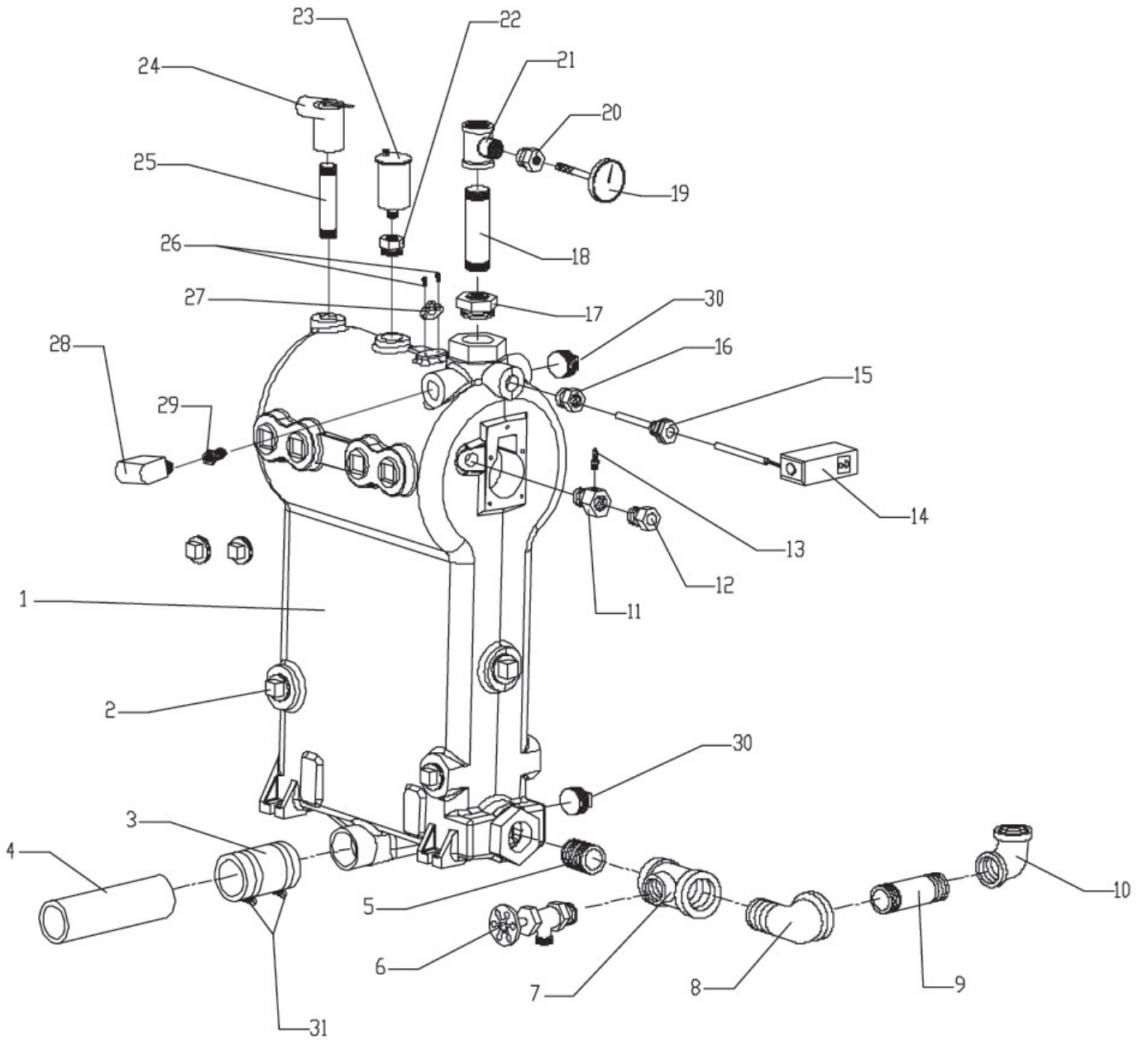
BURNER ASSEMBLY



ITEM	PART NO.	DESCRIPTION	QTY.
1	2272149	Burner Replacement Kit	1
2	1250009	Burner/Casting Gasket	1
3	1250008	Burner/Flue Adapter Gasket	1
4	12101022	Flue Adapter	1
5	14695810	Hex Nut w/Serrated Washer ¼"-20	5
6	1450011	Threaded Stud ¼"-20 x 1½"	5

Hot Surface Igniter Replacement Kit (P/N#2272133) <i>(includes Items 7-9 (below))</i>			
7	1250010	Igniter/Mixer Gasket	1
8	1264005	Hot Surface Igniter	1
9	14695809	Screw 10-32 x ¾"	2

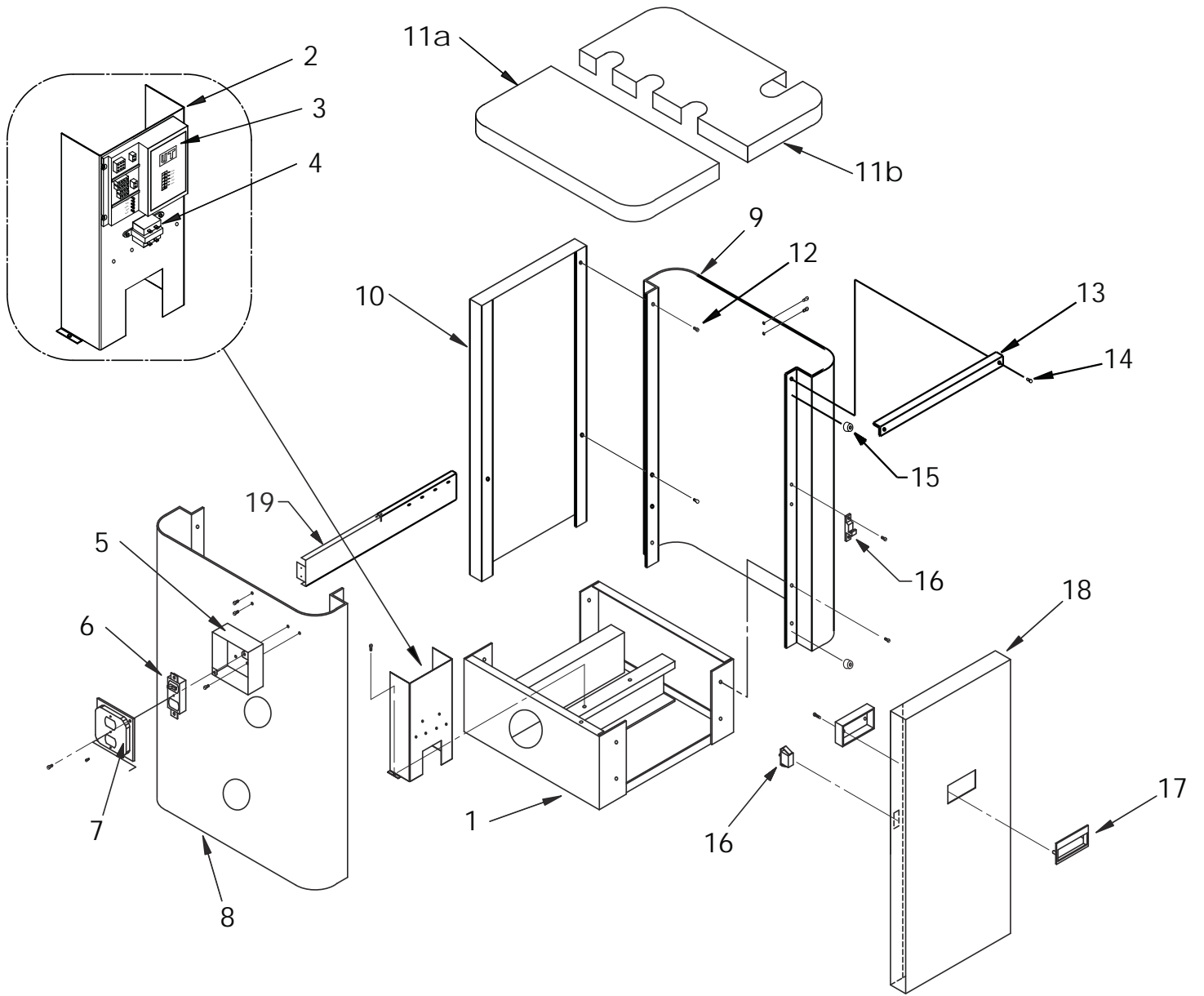
BOILER BLOCK AND PIPING ASSEMBLY



BOILER BLOCK AND PIPING ASSEMBLY

ITEM	PART NO.	DESCRIPTION	QTY.
	2272160	Block Replacement Kit (Includes the following)	1
1	12101013	Aluminum Monoblock Machined	1
5	1310015	Pipe nipple, 1 1/2" x close black iron	1
11	14631004	Adapter, 3/4" to 1/4" press tab	1
12	14619002	Observation glass 3/4"	1
13	1230010	Barb fitting, 1/8" x 3/16"	1
16	240006952	Bushing, 3/4" x 1/2" black iron	1
17	240006959	Bushing, 1 1/2" x 1 1/4" 3000#	1
22	240006955	Bushing, 3/4" x 1/8" black iron	1
27	1500005	Casting temp safety switch	1
29	240006956	Bushing, 1" x 3/4" Black Iron	1
30	240006957	Plug, 1" cast iron	1
The following parts are not included in the block replacement kit			
2	1395002	1 1/4" Cast Iron Square Head Plug	1
3	14631301	Hose 3" Long x 2 3/8" ID x 2 3/4" OD	1
4	240006827	Vent Pipe 2" CPVC SCH-40 x 7" S636	1
5	240006951	Nipple, Black 1 1/2" Close	1
6	14622000	Valve BLR DR 3/4"	1
7	1510010	Reducing Tee 1 1/2" x 1 1/4" x 3/4"	1
8	1190004	1 1/4" Street Elbow Blk. 90°	1
9	1310002	Nipple, Std. Blk. 1 1/4" x 4 1/2"	1
10	1190002	Elbow 1 1/4" x 90°	1
14	14631324	Aquastat	1
15	14662804	Well Control 1/2"	1
18	PF06501	1 1/4" x 7" NPT Std. Black Pipe Nipple	1
19	1260006SP	Temp/Pressure Gauge, 2" Shank	1
20	1060002	3/4" x 1/4" Std. Black Iron Bushing	1
21	PF05901	1 1/4" x 1 1/4" x 3/4" Std. Black Tee	1
23	1580006	Air Purge Vent w/Check Valve	1
24	14622011	3/4" Relief Valve	1
25	14607002	3/4" x 6 1/2" Std. Black Nipple	1
26	14695802	Screw Soc HD Cap 8-32 x 3/16"	2
28	2272137	LWCO Replacement Kit	1
31	14631302	Clamp stainless steel #44	2

JACKET AND BASE ASSEMBLY

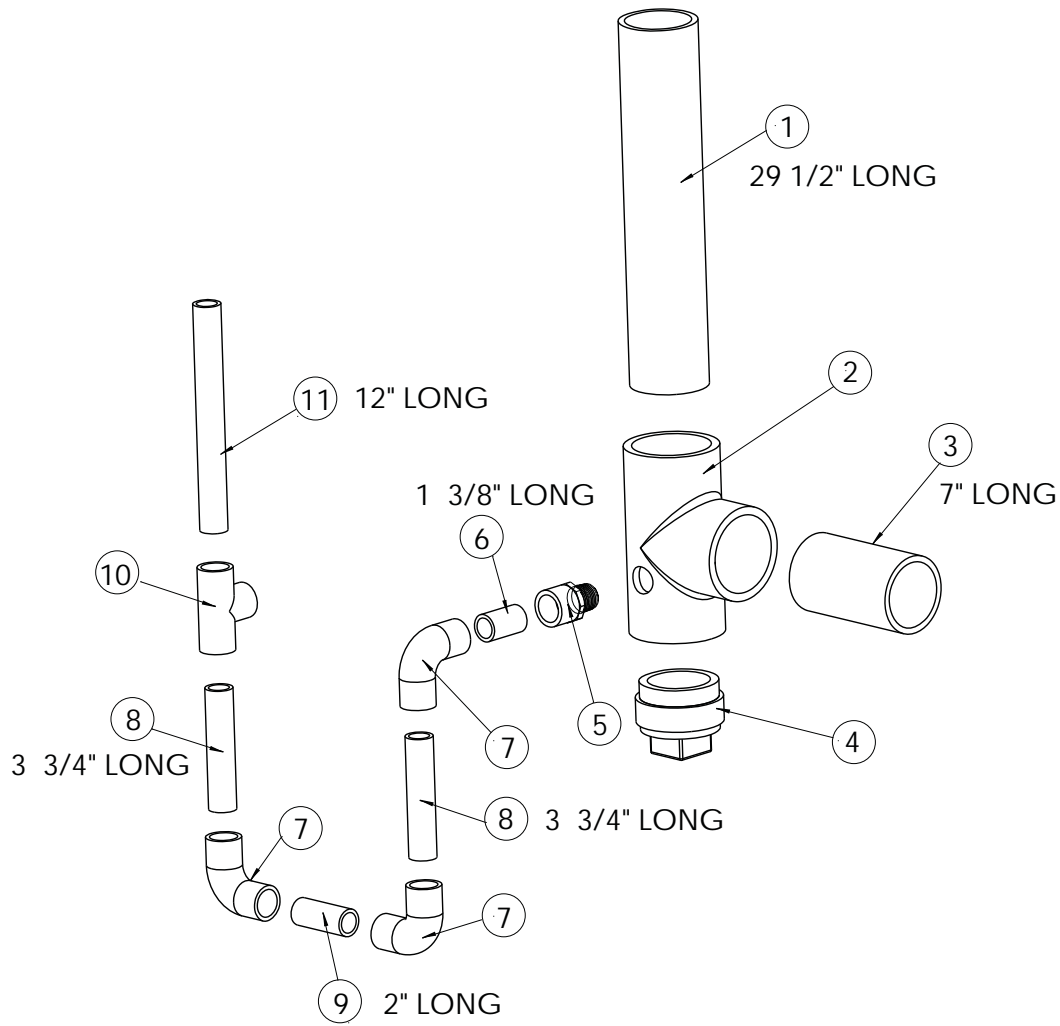


JACKET AND BASE ASSEMBLY

ITEM	PART NO.	DESCRIPTION	QTY.
1	2272144	Base Replacement Kit (125-200)	1
2	650001028	Control Panel	1
3	14662803	Control Integrated	1
4	550001339	40 VA Transformer Replacement Kit	1
5	14631316	4" x 4" x 2 1/8" J-Box	1
6	14631319	Switch, P & S	1
7	14631318	J-Box Plate Cover	1
8	2272152AC	Jacket Panel, Left Side Replacement Kit, Blue	1
	2272152AD	Jacket Panel, Left Side Replacement Kit, Gray	1
9	2272151AC	Jacket Panel, Right Side Replacement Kit, Blue	1
	2272151AD	Jacket Panel, Right Side Replacement Kit, Gray	1
10	750001031AC	Jacket Panel, Back	1
11a	2370003AC	Jacket Panel, Top Left	1
11b	2370004AC	Jacket Panel, Top Right	1
12	14695074	Screw #10 x 1/2" ZP	14
13	750001034	Jacket Tie Bar	1
14	14695060	Screw #10 x 1/2"	12
15	1225013	Tap Bumper	4
16	1225012	Latch and Clip Kit	1
17	14631095	Door Pull	1
18	2272150	Jacket Service Door Replacement Kit	1
19	2485001	Pressure Switch Mounting Plate	1
*	1263010	LWCO Harness	1
*	1263020	Wire Harness	1
*	14631174	2 1/2" Plug	1
*	2272164AC	Jacket, Complete Replacement Kit, Blue	1
*	2272164AH	Jacket, Complete Replacement Kit, Blue and Gray	1

* Not Shown

EXHAUST TEE AND CONDENSATE TRAP ASSEMBLY

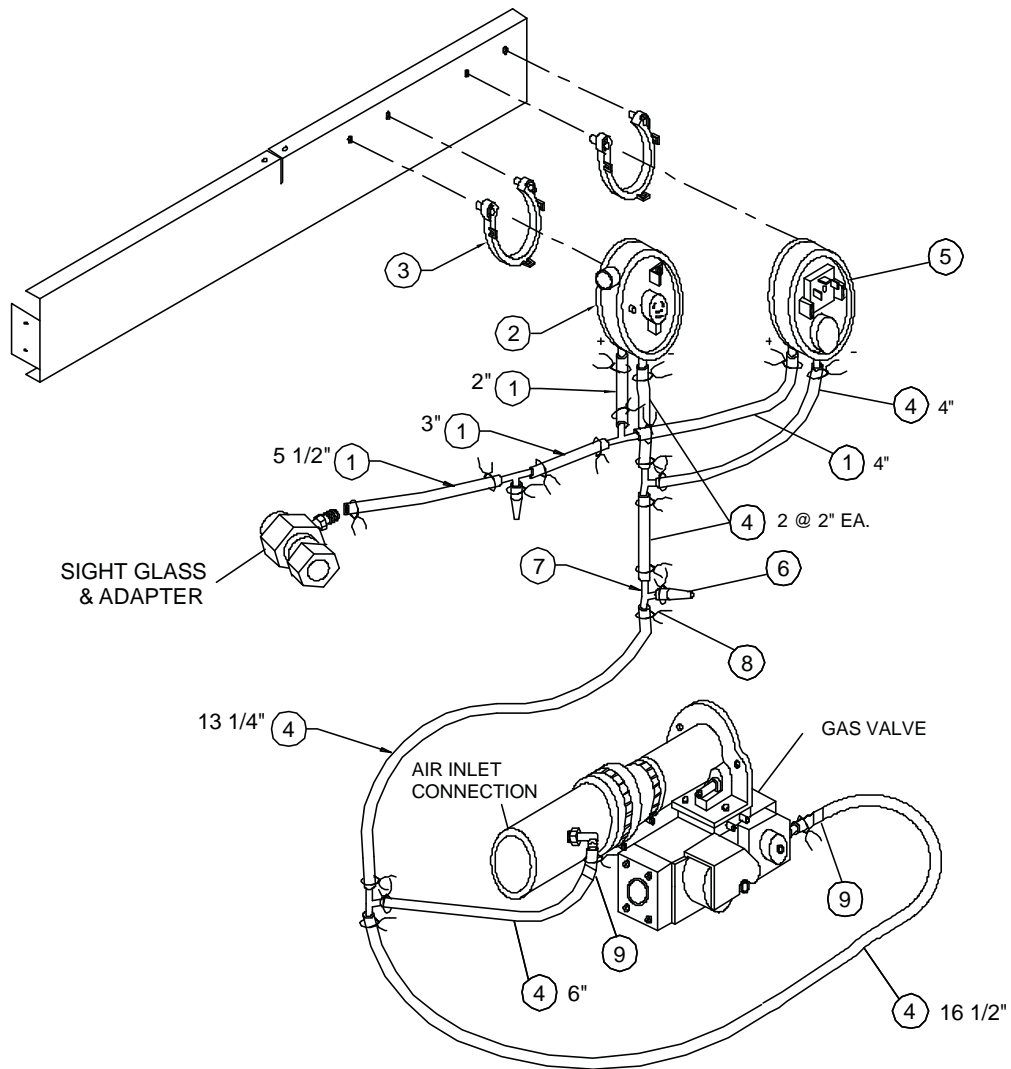


ITEM	PART NO.	DESCRIPTION	QTY.
1	240006820	Vent Pipe 2" CPVC SCH-40 x 29½" S636	2
2	3001406	Tee 2" CPVC SCH-80 S636, w/ hole	1
3	240006827	Vent Pipe 2" CPVC SCH-40 x 7" S636	1
4	240005852	Cleanout, PVC, 2"	1
*	240007536	Parts Bag, 90-200 Condensate (contains items 5-11)	
5	1001002	PVC Fitting ½" NPT Male x ½" Slip Female	1
6	240007260	Pipe ½" PVC SCH-40 x 1⅜"	1
7	1190005	Elbow ½" x 90° PVC SCH-40	3
8	240007262	Pipe ½" PVC SCH-40 x 3¾"	2
9	240007261	Pipe ½" PVC SCH-40 x 2"	1
10	1510012	Tee ½" x ½" x ½" PVC SCH-40	1
11	240007263	Pipe ½" PVC SCH-40 x 12"	1
*	240007554	3" Concentric Vent Kit ULC S636	1
*	240006822	Coupling, 2" CPVC	1

550001925 condensate Trap / Exhaust Tee Kit (contains items 2 thru 11 as well as parts for connecting to existing vent and condensate lines.)

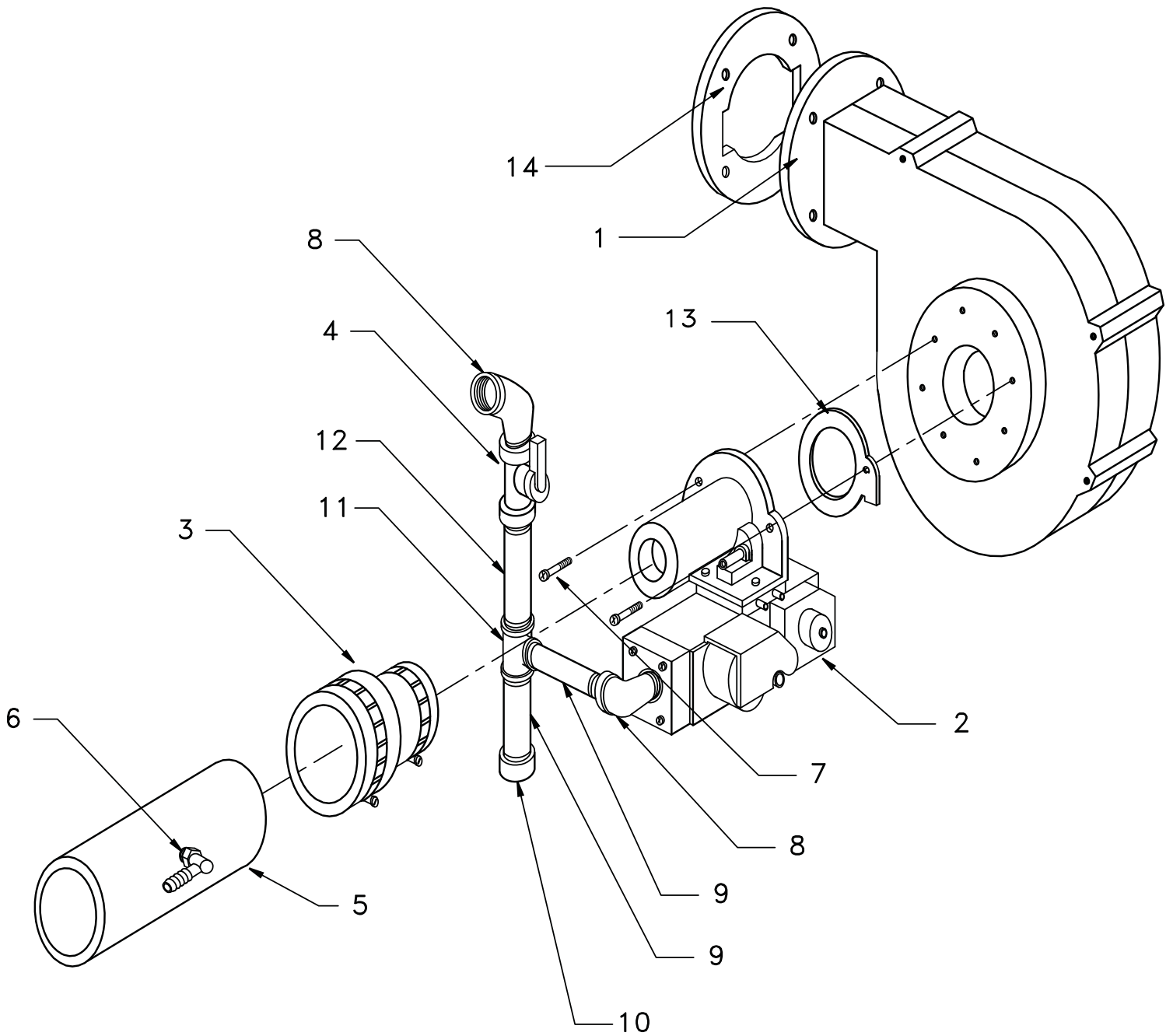
* Not Shown

MIXER AND AIR PRESSURE SWITCH ASSEMBLY



ITEM	PART NO.	DESCRIPTION	QTY.
1	1552014	Silicone Tubing, $\frac{3}{16}$ " I.D.	Varies
2	1401004	Air Pressure Switch, $3\frac{1}{2}$ " W.C.	1
3	1401002	Air Pressure Switch Clip	2
4	1552004	Orange Silicone Tubing, $\frac{3}{16}$ " I.D.	Varies
5	1401003	Air Pressure Switch. $\frac{1}{2}$ " W.C.	1
6	1230006	$\frac{3}{16}$ " Black Vinyl Cap	2
7	1510009	Plastic Barbed Hose Tee, $\frac{3}{16}$ " I.D.	5
8	1110001	Rotor Clamp	22
9	PB-002.02	Pilot Orifice, BBR10	2

FLUE ADAPTER AND EXHAUSTER ASSEMBLY



FLUE ADAPTER AND EXHAUSTER ASSEMBLY

ITEM	PART NO.	DESCRIPTION	QTY.
1	2272145	Blower Replacement Kit (includes #13 (below))	1
2	2272140	Gas Valve Replacement Kit (125 Only)	1
	2272141	Gas Valve Replacement Kit (150 Only)	1
	2272142	Gas Valve Replacement Kit (175 Only)	1
	2272143	Gas Valve Replacement Kit (200 Only)	1
3	14631311	2" x 1½" Flex Coupling	1
4	1570038	Ball Valve ½" (Blue)	1
5	1400007	Vent Pipe 2" PVC SCH-40 (8" Long)	1
6	1230011	Fitting, PE, ⅛" NPT" x ³⁄₁₆", Barb 90°	1
7	1450012	Screw T25 Torx	2
8	14693801	Elbow Street Mall ½" - 90 PWX	2
9	14607301	Nipple Blk. Std. ½" NPT x 3"	2
10	1225015	Cap ½" Cast Iron	1
11	14657015	Tee Black ½"	1
12	14607803	Nipple Blk. Std. ½" x 4½"	1
13	1250021	Gasket, Cork, Venturi	1
14	1250007	Gasket, Fan Flue Adapter	1
*	1272033	Nat to LP Replacement Kit (125 Only)	1
*	1272034	Nat to LP Replacement Kit (150 Only)	1
*	1272035	Nat to LP Replacement Kit (175 Only)	1
*	1272036	Nat to LP Replacement Kit (200 Only)	1
*	1272037	LP to Nat Replacement Kit (125-200)	1

* Not Shown



Repair Parts Manual

MODEL NO.
K90-125
K90-150
K90-175
K90-200

HOW TO ORDER REPAIR PARTS

TELL SEARS
YOU WANT IT
INSTALLED
THEN RELAX

REPAIR PARTS

GAS-FIRED DIRECT VENT CONDENSING HOT WATER BOILER

Now that you have purchased your boiler, should a need ever exist for repair parts or service, simply contact any Sears Service Center. Be sure to provide all pertinent facts when you call or visit.

The model number of your Boiler will be found on the model plate on the side of the Boiler.

WHEN ORDERING REPAIR PARTS, ALWAYS GIVE THE FOLLOWING INFORMATION:

- PART NUMBER
- PART DESCRIPTION
- MODEL NUMBER
- NAME OF ITEM

All parts listed may be ordered from any Sears Service Center.

If the parts you need are not stocked locally, your order will be electrically transmitted to a Sears Repair Parts Distribution Center for Handling.

When Sears arranges the installation, you can be sure the job is done right. We will arrange for professional workmanship... and we'll take care of the entire project. What's more, during installation you get insured protection ... against property damage and also against accidents to workmen. All you have to do is talk to your nearest Sears store today for detailed information.