

IMPORTANT: THIS MANUAL MUST BE KEPT NEAR THE FURNACE FOR FUTURE REFERENCE!!

NORDYNE INC.

Oil Fired Warm Air Furnaces

555686A O4HD-091A-14-FA-DV
(Up-Flow Model - Direct Vent)

Installation, Operation and Maintenance Manual
Oil Fired Warm Air Furnaces


O4HD-091A-12-FB (Up-Flow Model)
O4HD-091A-14-FA-DV (Up-Flow Model)
O4HD-091A-V-FA (Up-Flow Model with ECM)

FOR YOUR SAFETY:
Do not store or use gasoline or other flammable liquids or vapors in the vicinity of this, or any other appliance.

ALL INSTALLATIONS MUST MEET ALL LOCAL, PROVINCIAL/STATE, AND FEDERAL CODES WHICH MAY DIFFER FROM THIS MANUAL

NORDYNE INC.

Read this complete manual before beginning installation. These instructions must be kept with the furnace for future reference.



151B0801 Rev B 10/18/2009

Installation, Operation & Maintenance Manual 151B0801 REV B

OIL FIRED WARM AIR FURNACE

WARNING
IF THE INFORMATION IN THESE INSTRUCTIONS IS NOT FOLLOWED EXACTLY, A FIRE OR EXPLOSION MAY RESULT, CAUSING PROPERTY DAMAGE, PERSONAL INJURY OR LOSS OF LIFE.


WARNING
FOR YOUR SAFETY
DO NOT STORE OR USE GASOLINE OR OTHER FLAMMABLE VAPORS AND LIQUIDS, OR OTHER COMBUSTIBLE MATERIALS IN THE VICINITY OF THIS OR ANY OTHER APPLIANCE.

IMPROPER INSTALLATION, ADJUSTMENT, ALTERATION, SERVICE OR MAINTENANCE CAN CAUSE INJURY, PROPERTY DAMAGE OR LOSS OF LIFE. REFER TO THIS MANUAL.

INSTALLATION AND SERVICE MUST BE PERFORMED BY A QUALIFIED INSTALLER, SERVICE AGENCY OR THE GAS SUPPLIER.

NORDYNE, INC.
3000 PHOENIX PARKWAY
OFALLON MISSOURI 63368

HOMEOWNER INSTRUCTION MANUAL



PN 240006451, Rev. A [11/2006]

User's Information Manual 240006451 REV A [11/2006]

Installation & Operation Instructions Direct Vent
Oil Fired Warm Air Furnaces

IMPORTANT
INFORMATION CONTAINED BY THIS MANUAL PERTAINS TO OIL FIRED DIRECT VENT FURNACES EQUIPPED WITH A MANUFACTURER INSTALLED BACKDRAFT SAFETY CONTROL SYSTEM PRESSURE SWITCH.


FOR YOUR SAFETY:
Do not store or use gasoline or other flammable liquids or vapors in the vicinity of this, or any other appliance.

NORDYNE INC.

Homeowner Caution
Be sure to keep area around vent terminal free of snow, ice, and debris.

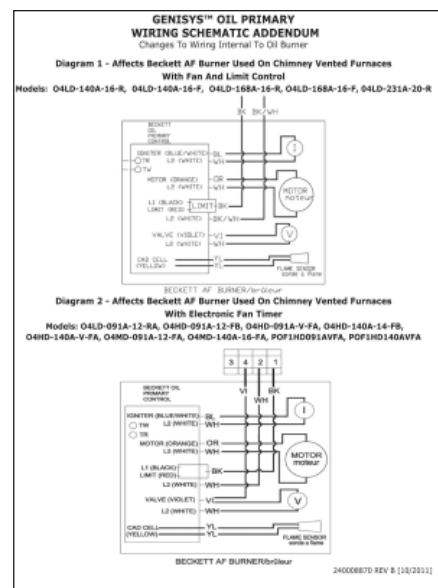
ALL INSTALLATIONS MUST MEET ALL LOCAL, PROVINCIAL/STATE, AND FEDERAL CODES WHICH MAY DIFFER FROM THIS MANUAL

Read this manual completely before installation. These instructions must be kept with the furnace for future reference.



151B0801 Rev B 10/18/2009

Installation, Operation Instructions Direct Vent 240005236 REV C [3/2010]



Wiring Addendum 240008870 REV B [10/2011]

Envelope Assy Master 240005238 REV C, [10/2011]