

IMPORTANT: THIS MANUAL MUST BE KEPT NEAR THE FURNACE FOR FUTURE REFERENCE!!

NORDYNE INC.

Oil Fired Warm Air Furnaces

555687A O4LD-091A-14-RA-DV
(Lowboy Model - Direct Vent)

Installation, Operation and Maintenance Manual
Oil Fired Warm Air Furnaces

O4LD-091A-12-RA (Lowboy Model)
O4LD-091A-14-RA-DV (Lowboy Model)

FOR YOUR SAFETY:
Do not store or use gasoline or other flammable liquids or vapors in the vicinity of this, or any other appliance.

ALL INSTALLATIONS MUST MEET ALL LOCAL, PROVINCIAL/STATE, AND FEDERAL CODES WHICH MAY DIFFER FROM THIS MANUAL

NORDYNE INC.

Read this complete manual before beginning installation. These instructions must be kept with the furnace for future reference.

240005235 Rev B 01/2009

Installation, Operation & Maintenance Manual 240005235 REV B [1/2009]

OIL FIRED WARM AIR FURNACE

WARNING
IF THE INFORMATION IN THESE INSTRUCTIONS IS NOT FOLLOWED EXACTLY, A FIRE OR EXPLOSION MAY RESULT, CAUSING PROPERTY DAMAGE, PERSONAL INJURY OR LOSS OF LIFE.

FOR YOUR SAFETY
DO NOT STORE OR USE GASOLINE OR OTHER FLAMMABLE VAPORS AND LIQUIDS, OR OTHER COMBUSTIBLE MATERIALS IN THE VICINITY OF THIS OR ANY OTHER APPLIANCE.

IMPROPER INSTALLATION, ADJUSTMENT, ALTERATION, SERVICE OR MAINTENANCE CAN CAUSE INJURY, PROPERTY DAMAGE OR LOSS OF LIFE. REFER TO THIS MANUAL.

INSTALLATION AND SERVICE MUST BE PERFORMED BY A QUALIFIED INSTALLER, SERVICE AGENCY OR THE GAS SUPPLIER.

NORDYNE, INC.
8000 PHOENIX PARKWAY
O'FALLON MISSOURI 63366

HOMEOWNER INSTRUCTION MANUAL

240006451, Rev. A [11/06]

User's Information Manual 240006451 REV A [11/2006]

Installation & Operation Instructions
Direct Vent
Oil Fired Warm Air Furnaces

IMPORTANT
INFORMATION CONTAINED BY THIS MANUAL PERTAINS TO OIL FIRED DIRECT VENT FURNACES EQUIPPED WITH A MANUFACTURER INSTALLED ROCKWELL SAFETY CONTROL SYSTEM PRESSURE SWITCH.

FOR YOUR SAFETY:
Do not store or use gasoline or other flammable liquids or vapors in the vicinity of this, or any other appliance.

NORDYNE INC.

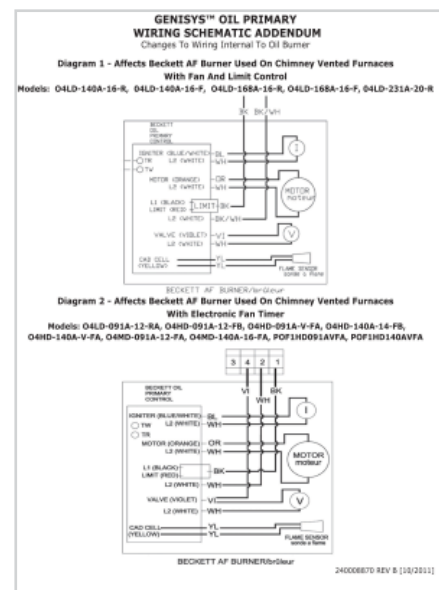
Homeowner Caution
Be sure to keep area around vent terminal free of snow, ice, and debris.

ALL INSTALLATIONS MUST MEET ALL LOCAL, PROVINCIAL/STATE, AND FEDERAL CODES WHICH MAY DIFFER FROM THIS MANUAL

Read this manual completely before installation. These instructions must be kept with the furnace for future reference.

240005236 Rev C 03/2010

Installation, Operation Instructions Direct Vent 240005236 REV C [3/2010]



Wiring Addendum 240008870 REV B [10/2011]