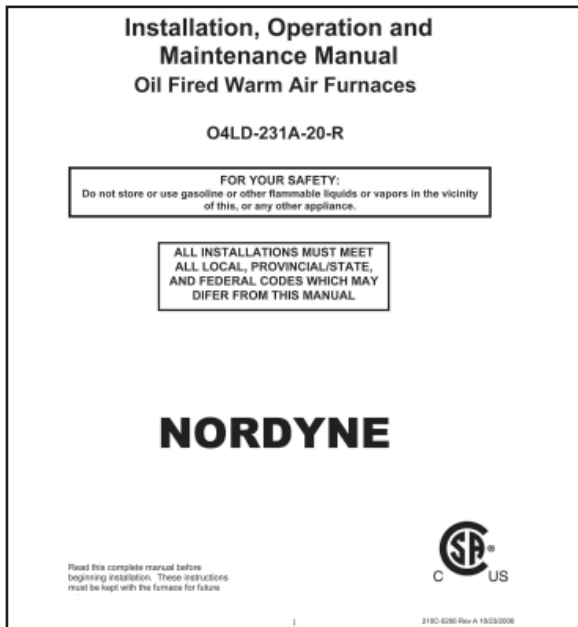


**IMPORTANT: THIS MANUAL MUST BE KEPT NEAR THE FURNACE FOR FUTURE REFERENCE!!**

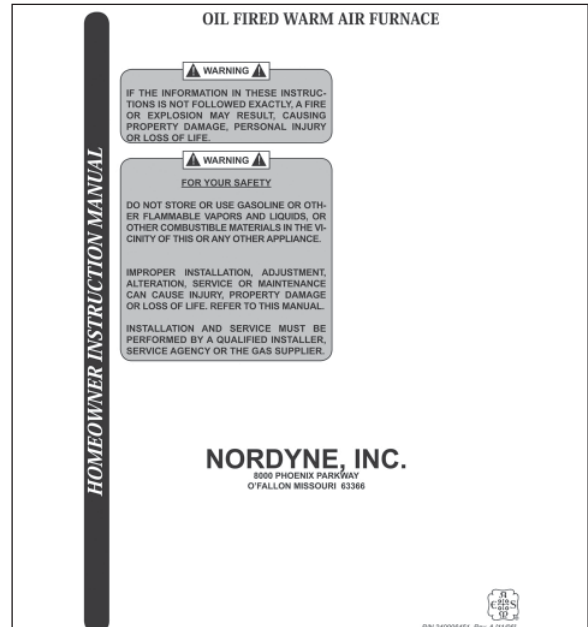
# NORDYNE INC.

## Oil Fired Warm Air Furnaces

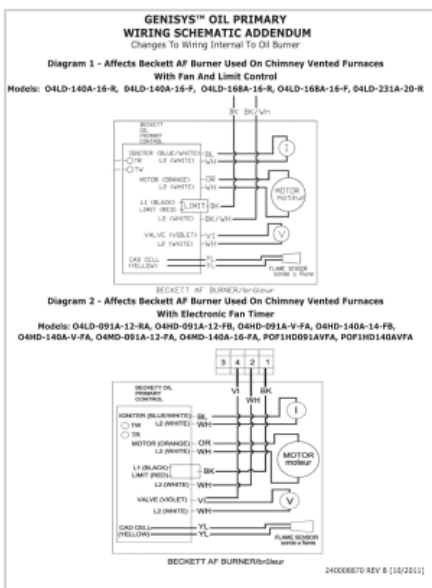
556793 O4LD-231A-20-R Lowboy - High Capacity



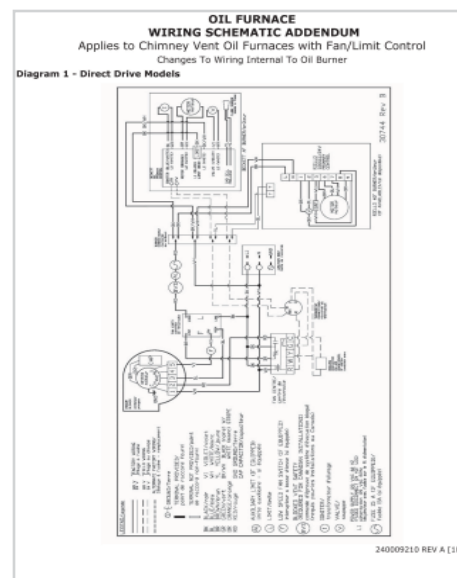
Installation, Operation & Maintenance Manual 210C0206 REV A [10/2006]



User's Information Manual 240006451 REV A [11/2006]



Wiring Addendum 240008870 REV B [10/2011]



Wiring Schematic Addendum 240009210 REV A [10/2011]

Envelope Assy Master 240006047 REV C, [10/2011]