

# BC, OBC, CBC

## Cast Iron Oil Fired Boilers

### Supplemental Instructions

These instructions are in addition to the following Installation, Operation and Maintenance Manuals: 2761101, 2761401, 2761501, and 2761801.

These instructions document the Riello burner application to the BC, OBC and CBC boilers, Boiler Ratings, and Tankless Water Heater Capacities.

BOILER RATINGS							
Model No.	I=B=R Oil Burner Input		D.O.E. Heating Capacity	I=B=R Net Ratings	Minimum Natural Draft Chimney Size		AFUE
	G.P.H.	MBH	MBH	Water MBH	Round (in.)	Square (in.)	Rating
BC3D	.77	108	93	75	6	8x8x15	86.0
BC3	1.00	140	118	103	6	8x8x15	80.0
BC4D	1.00	140	120	104	6	8x8x15	86.0
BC4	1.40	196	165	143	6	8x8x15	81.0

RIELLO BURNER SETUPS							
Model No.	Burner Model	Comb Head	Comb Head Setting	Air Shutter Setting	Specified Nozzle*	Pump Pressure	Derate Kits
BC3D	40 F5	SBT	0.0	1.60	.65 X 60 W	150	550001616
BC3	40 F5	SBT	1.0	2.60	.85 X 60 W	150	N/A
BC4D	40 F5	SBT	2.0	2.00	.85 X 60 W	150	550001617
BC4	40 F5	SBT	3.5	3.00	1.10 X 60 W	150	N/A

\* Specified nozzles are Delevan

#### NOTICE

The above charts are for setting the burner to a starting point only. The burner and appliance must be properly set up using proper testing equipment.

**SUPPLEMENTAL INSTRUCTIONS**

<b>RIELLO BURNER REPLACEMENT PARTS LIST</b>		
<b>Part Number</b>	<b>Description</b>	<b>Quantity</b>
240006431	Nozzle .65 x 60 W (BC3 & BC3T only)	1
1320012	Nozzle 1.10 x 60 W (BC4 & BC4T only)	1
30A064701	Burner Pump Drive Key Riello	1
30A064801	Burner Primary Control 530SE Riello	1
30A064901	Burner Coil Riello	1
30A065101	Burner Motor Riello	1
30A065201	Burner Capacitor 12.5 Riello	1
30A065301	Burner Electrode Porcelain Riello	1
30A065401	Burner Pump Riello	1
30A065501	Burner Hydraulic Jack Riello	1
30A065601	Burner O-Ring Pump Press Riello	1
30A065701	Burner Photo Cell Riello	1

<b>TANKLESS WATER HEATER CAPACITIES</b>				
<b>Model No.</b>	<b>Firing Rate G.P.H.</b>	<b>Tankless Heater Number</b>	<b>Tankless Heater Capacity Intermittent Draw G.P.H.</b>	<b>Boiler Water Content Gals.</b>
BC3D	.77	L-24	-	6.7
BC3	1.0	L-24	3.25	6.7
BC4D	1.0	L-24	3.25	8.2
BC4	1.4	L-24	4.00	8.2

Figure 1 - Electrical Wiring Diagram *Without Tankless Coil*

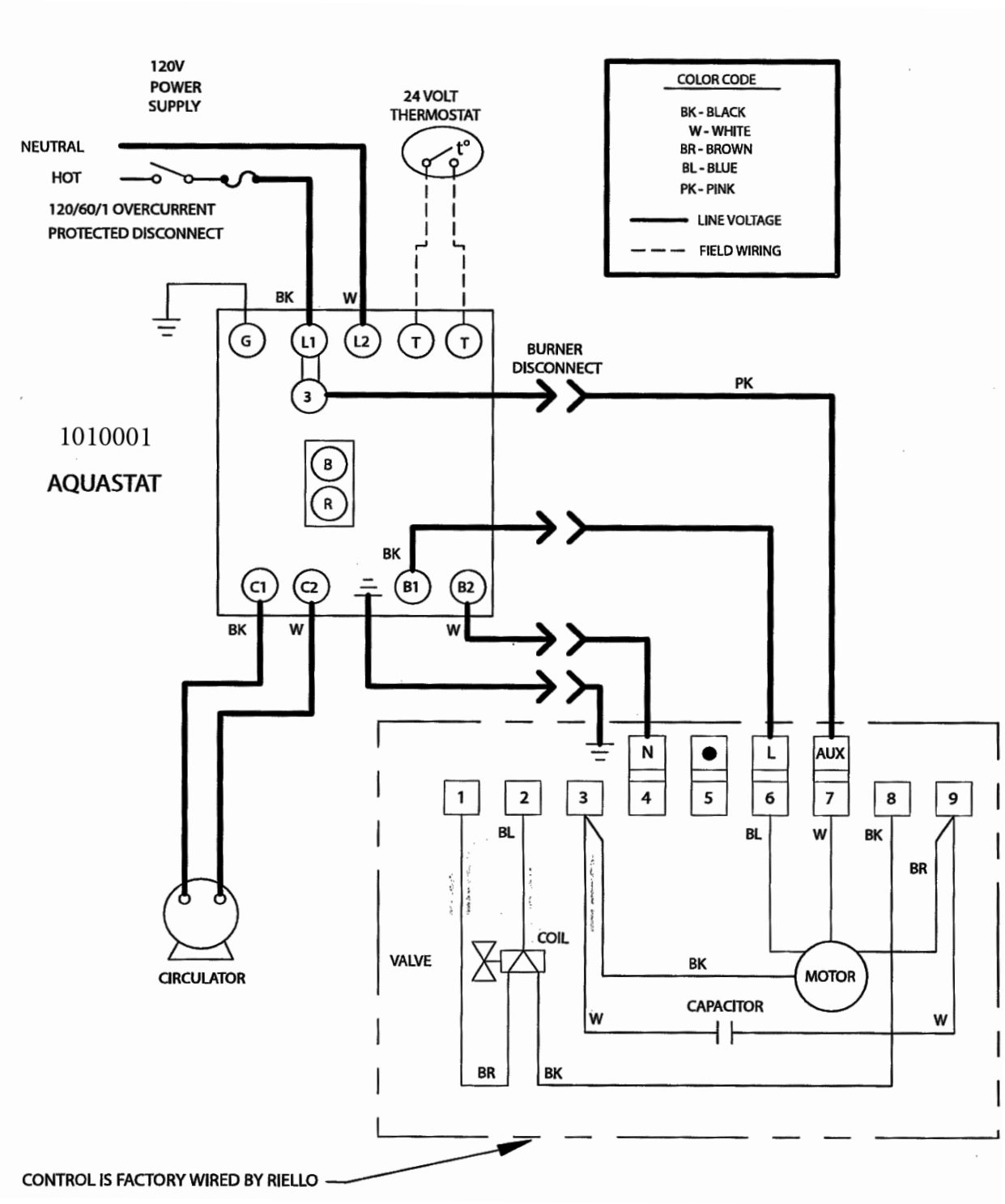


Figure 2 - Electrical Wiring Diagram *With Tankless Coil*

