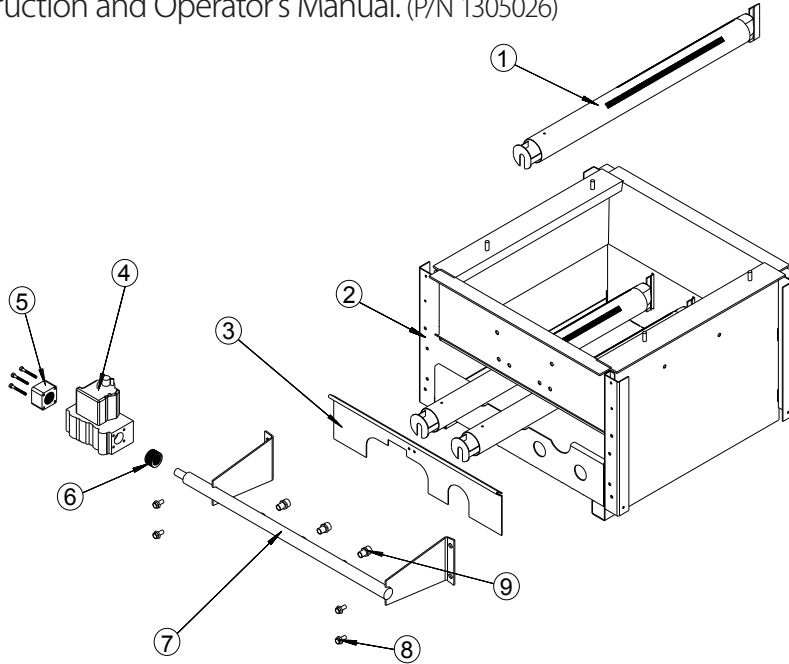


REPLACEMENT PARTS ADDENDUM

REPLACEMENT PARTS ADDENDUM FOR 15B

P/N 240007450 Rev. A (04/08)

The following chart supersedes the replacement parts chart on page 22 of the Instruction and Operator's Manual. (P/N 1305026)



Item	Part No.	Description	Qty.
1	240005543	Burner Tube 1½" (045)	1
		Burner Tube 1½" (070, 096)	2
		Burner Tube 1½" (120, 145)	3
		Burner Tube 1½" (175, 195)	4
		Burner Tube 1½" (245)	5
		Burner Tube 1½" (295)	6
2	5611601	Base w/Insul & Bracket (045)	1
	5611602	Base w/Insul & Bracket (070, 096)	
	5611603	Base w/Insul & Bracket (120, 145)	
	5611604	Base w/Insul & Bracket (175, 195)	
	5611605	Base w/Insul & Bracket (245)	
	5611606	Base w/Insul & Bracket (295)	
3	3261201	Burner Door (045)	1
	32611405	Burner Door (070, 096)	
	32611401	Burner Door (120, 145)	
	32611402	Burner Door (175, 195)	
	32611403	Burner Door (245)	
	32611404	Burner Door (295)	
4	VG-003.05	Gas Valve, 24V Nat (045-145)	1
	VG00307	Gas Valve, 24V LP (045-295)	
	VG01101	Gas Valve, Spark Nat (045-145)	
	VG01103	Gas Valve, Spark Nat (175-295)	
	VG01104	Gas Valve, Spark LP (045-295)	
	VG01201	Gas Valve, 24V Nat (245, 295)	
	VG01202	Gas Valve, 24V Nat (175, 195)	
5	VG01601	Straight Flange - ¾" NPT (175, 195, 245, 295 - LP ONLY)	1

Item	Part No.	Description	Qty.
6	VG-006.00	Internal Bushing ¼ x ½ (ALL LP)	1
7	356-2-1.01	Manifold (045)	1
	356-2-1.02	Manifold (070, 096)	
	356-2-1.03	Manifold (120, 145)	
	356-2-1.04	Manifold (175, 195)	
	356-2-1.05	Manifold (245)	
	356-2-1.06	Manifold (295)	
8	HW-005.01	Screw ¼ - 20 x ½ Self Tap	4
9	355-1-5.01	Orifice #30, Nat. (096)	2
		Orifice #30, Nat. (145)	3
		Orifice #30, Nat. (195)	4
		Orifice #30, Nat. (245)	5
		Orifice #30, Nat. (295)	6
		Orifice #31, Nat. (045)	1
	355-1-5.02	Orifice #31, Nat. (120)	3
		Orifice #31, Nat. (175)	4
		Orifice #36, Nat. (070)	2
	355-1-5.04	Orifice #47, LP (045)	1
		Orifice #47, LP (096)	2
		Orifice #47, LP (145)	3
		Orifice #47, LP (195)	4
		Orifice #47, LP (245)	5
Orifice #47, LP (295)		6	
355-1-5.06	Orifice #49, LP (120)	3	
	Orifice #49, LP (175)	4	
355-1-5.07	Orifice #50, LP (070)	2	