

Dunkirk

PWXL Gas-Fired Hot Water Boiler

REPAIR PARTS MANUAL



 **ecr**
innovative living™

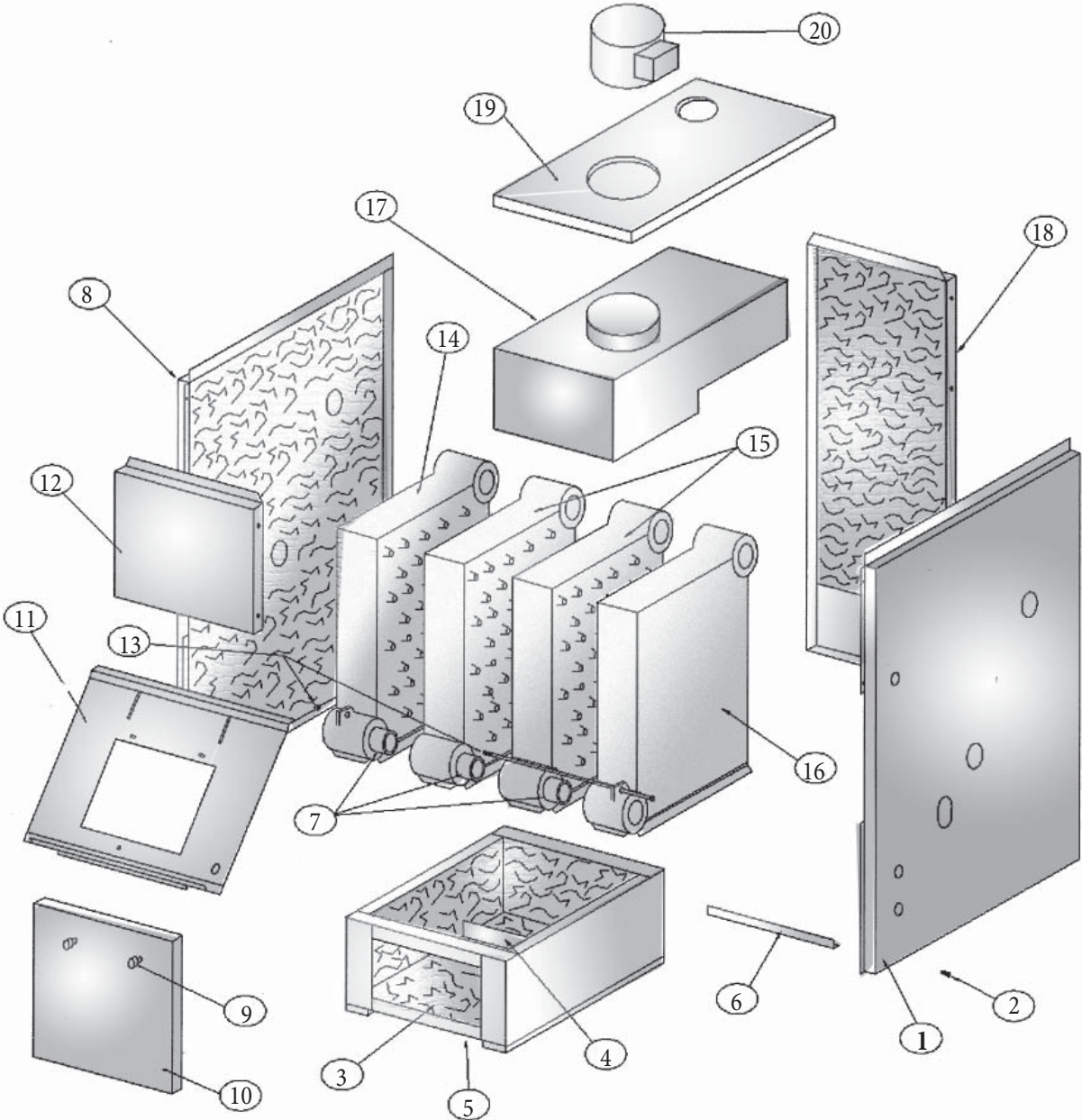
An ISO 9001-2008 Certified Company

DUNKIRK BOILERS

2210 Dwyer Avenue, Utica NY 13504-4729
Phone: (315) 797-1310 • Fax: (866) 432-7329
e-mail: info@ecrinternational.com
web site: www.ecrinternational.com

P/N# 240007898, Rev. B [03/2011]

Jacket, Heat Exchanger and Base Parts



REPAIR PARTS MANUAL

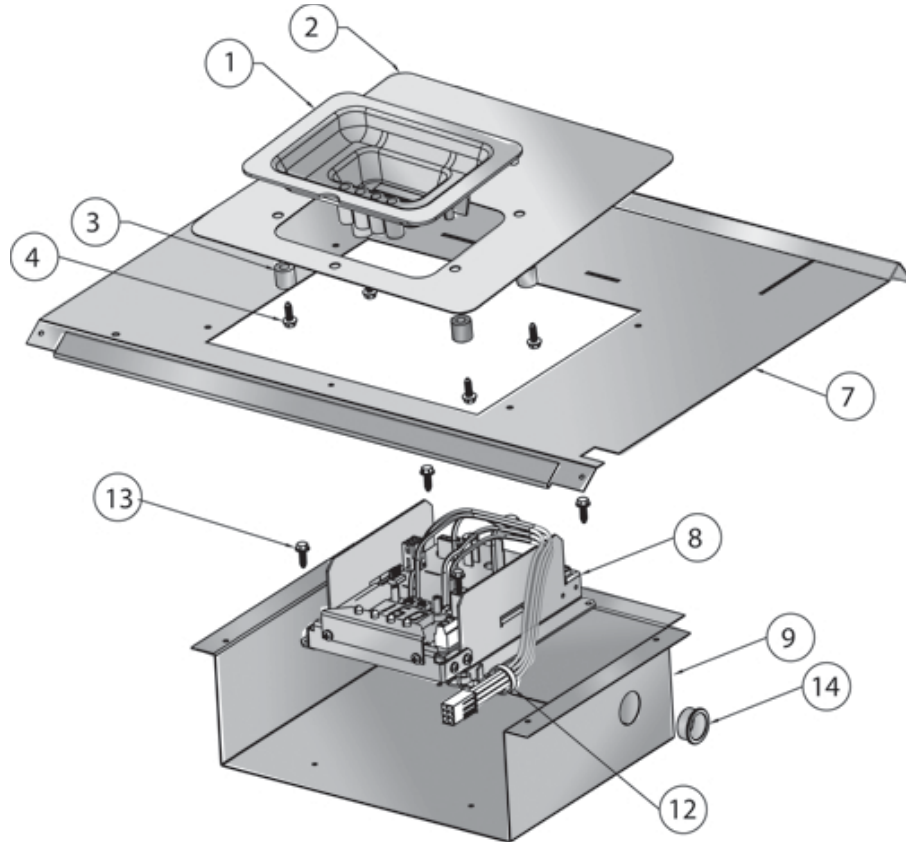
Jacket, Heat Exchanger and Base Parts

ITEM	DESCRIPTION	3 SECTION	4 SECTION	5 SECTION	6 SECTION	7 SECTION	8 SECTION	9 SECTION
1	Jacket, Right panel	109007866AC	109007866AC	109007866AC	109007866AC	109007866AC	109007866AC	109007866AC
2	#10 x 1/2" sheet metal screw	14695074	14695074	14695074	14695074	14695074	14695074	14695074
3	Base Insulation - Base sides (2)	14614130	14614130	14614130	14614130	14614130	14614130	14614130
	Base Front	14614113	14614114	14614115	14614116	14614117	14614118	14614119
	Base Rear	14614123	14614124	14614125	14614126	14614127	14614128	14614129
4	Base Baffle	42500643	42500644	42500645	42500646	42500647	42500648	44500649
5	Base	42500663	42500664	42500665	42500666	42500667	42500668	42500669
6	Jacket Tie Bar	42500653	42500654	42500655	42500656	42500657	42500658	42500659
7	Push Nipple	Not available separately						
8	Jacket Left Panel	109007865AC	109007865AC	109007865AC	109007865AC	109007865AC	109007865AC	109007865AC
9	Service Door Knob (2)	13702153	13702153	13702153	13702153	13702153	13702153	13702153
10	Jacket, Service Door	42500913AC	42500914AC	42500915AC	42500916AC	42500917AC	42500918AC	42500919AC
11	Jacket, Int'd Panel	109007867AC	109007868AC	109007869AC	109007870AC	109007871AC	109007872AC	109007873AC
12	Jacket, Front Panel	42500811AC	42500804AC	42500805AC	42500806AC	42500807AC	42500808AC	42500809AC
13	1/4" Tie rod	14605001	14605002	HW-001.03	14605053	14605005	14605007	14605009
	Nut, 1/4-20, HH,SZN	HW-003.02	HW-003.02	HW-003.02	HW-003.02	HW-003.02	HW-003.02	HW-003.02
	Wshr,1/4,ft	1600001	1600001	1600001	1600001	1600001	1600001	1600001
14	Boiler Section, Left	Not available separately must purchase complete block assembly						
15	Boiler Section, Middle	Not available separately must purchase complete block assembly						
16	Boiler Section, Right End	Not available separately must purchase complete block assembly						
++	Block Assembly	41000313	41000413	41000513	41000613	41000713	41000813	41000913
17	Draft Diverter	42500673	42500674	42500675	42500676	42500677	42500678	42500679
18	Jacket, Rear Panel	42500903AC	42500904AC	42500905AC	42500906AC	42500907AC	42500908AC	42500909AC
19	Jacket, Top Panel	42500843AC	42500844AC	42500845AC	42500846AC	42500847AC	42500848AC	42500849AC
20	Vent Damper	240006937	240006938	240006938	240006939	240006939	240006939	240006939
++	Complete Jacket	550002076	550002077	550002078	550002079	550002080	550002081	550002082
++	Combustible Floor Plate	14614031	14614031	14614031	14614031	14614032	14614032	14614032
++	Base Assembly (includes items 3,4,5)	43300663	43300664	43300665	43300666	43300667	43300668	43300669
œ	Cerafelt Gasket	14614018	14614018	14614018	14614018	14614018	14614018	14614018

++ - Not Shown

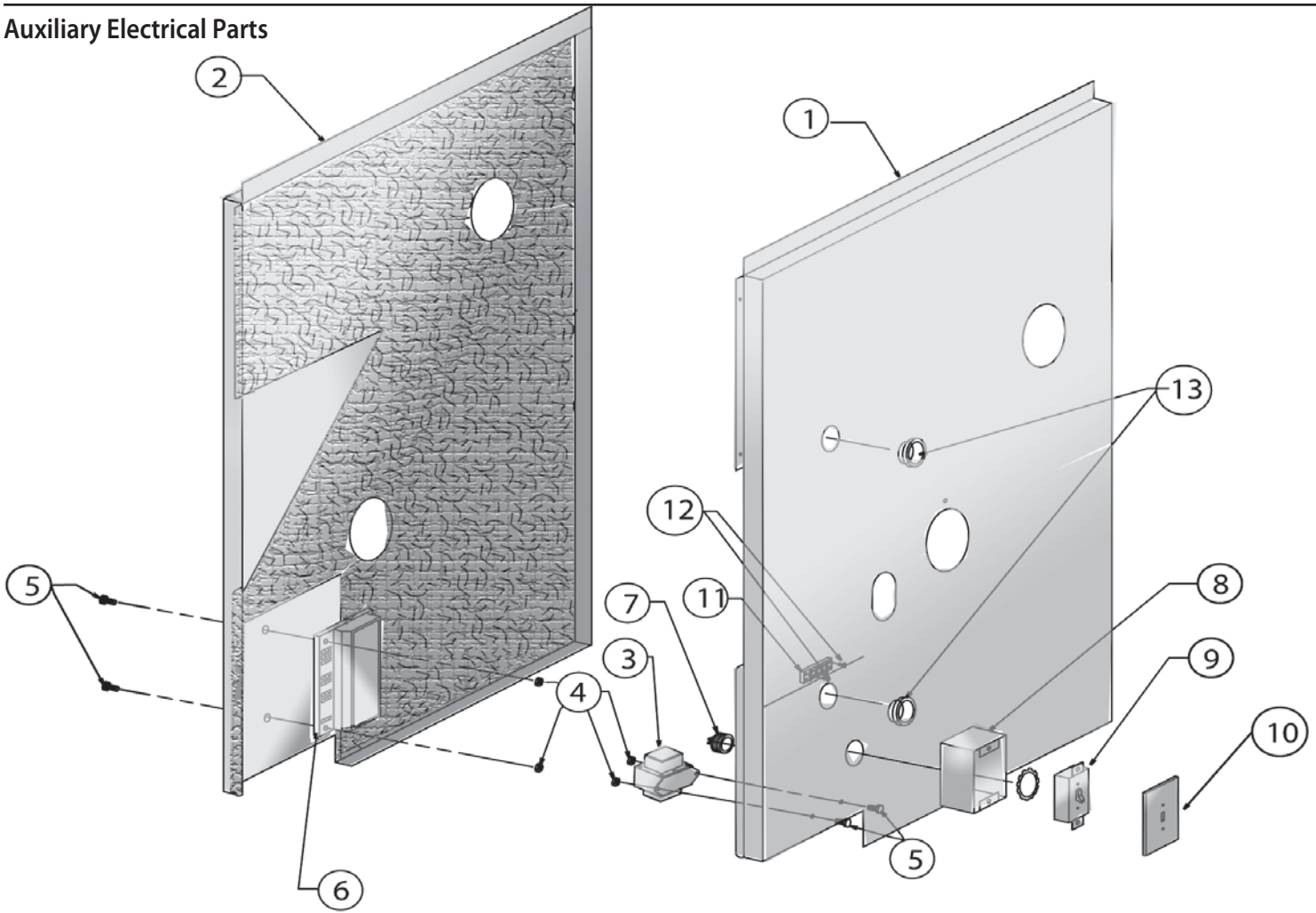
œ - Located at the base and block assembly top.

Control Panel and Control Box Assembly



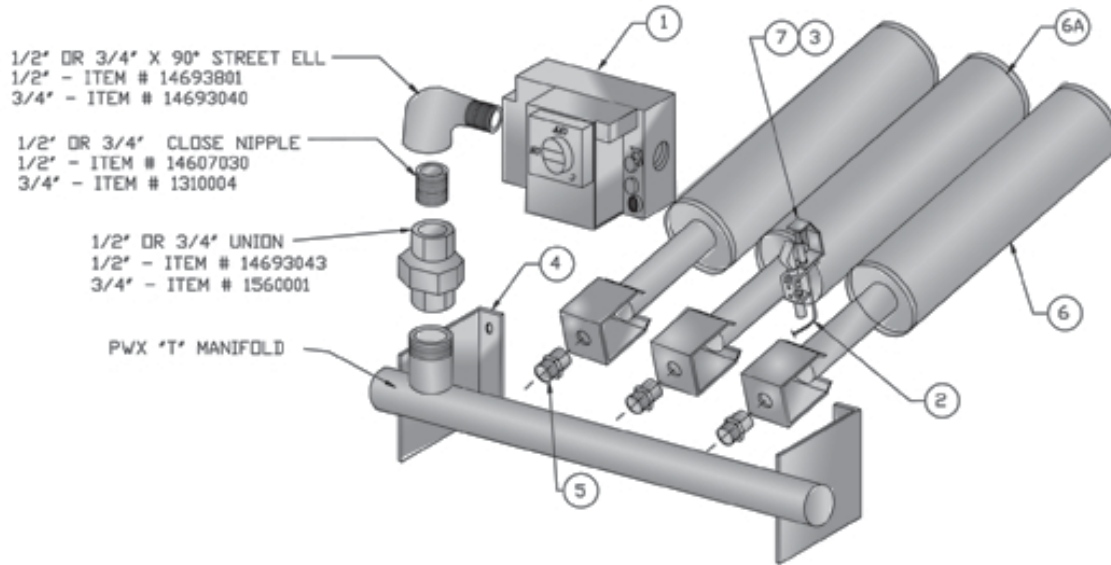
Item #	Description	Part #	3-5 Section	6-9 Section
			QTY.	QTY.
1	Bezel Assembly, Hydrolevel	240007711	1	1
2	Cover Panel, Control	109007717	1	1
3	Spacers, Nylon	240007749	4	4
4	Screws	240007908	4	4
5	Bezel Gasket, Hydrolevel (not shown)	240007712	1	1
6	Label, Control Adjustment (not shown)	240007888	1	1
7	Intermediate Panel (see Jacket Section)	Varies with Unit	1	1
8	Control Panel Assembly, 48-3100-02	240007710	1	1
9	PWXL Control Box	109007718	1	1
10	Sensor , 48", Hydro, 45-3150-58, 3-5 section (see "Supplied Plumbing Parts" page for illustration)	240007708	1	-
	Sensor, 60", Hydro, 45-3150-57, 6-9 section (see "Supplied Plumbing Parts" page for illustration)	240007909	-	1
11	Wire Harness, Pwxl, 3-5 Section (not shown)	240007692	1	-
	Wire Harness, Pwxl, 6-9 Section (not shown)	240007693	-	1
12	Tie,Wire,7.5",W/Mtg Hole	240000062	1	1
13	Screw ,8 x 1/2 B, Hws, Sl, Szn	201000024	4	4
14	Bushing, Ocb, Heyco, #2874, Split, 7/8"	14693011	1	1

Auxiliary Electrical Parts



ITEM #	DESCRIPTION	PART NUMBER
1	Right Side Panel	See Jacket Assembly
2	Left Side Panel	See Jacket Assembly
3	Transformer,47/3VA BE33783001	240007897
4	#8-32 Hex Nut (4)	1330003
5	#8-32 X 3/4" Hex HD Machine Screw (4)	14685047
6	Intermittent Pilot Control, UTI	14662070
7	Connector Romex 1/2" K.O. Raco 2711	14634012
8	4" X 4" X 1 1/2" J Box	EF - 013.01
9	Switch P & S 660 (packaged in parts bag)	14631081
10	Cover J-Box, 4 x 4, W/ SW Opening	240007281
11	Terminal Block, 3 Position	212000021
12	Screw 6x3/8 Type B, Hph, Szn (2)	201000100
13	Bushing, OCB, Heyco, #2874 ,Split, 7/8" (2)	14693011
++	Fuse Link G4AM0600 144C	14629002
++	Blocked Vent Water 36TX16-6281	14660001
++	Wiring Harness- Vent Damper	240006309
++ Not Shown		

Gas Burners & Manifold Parts

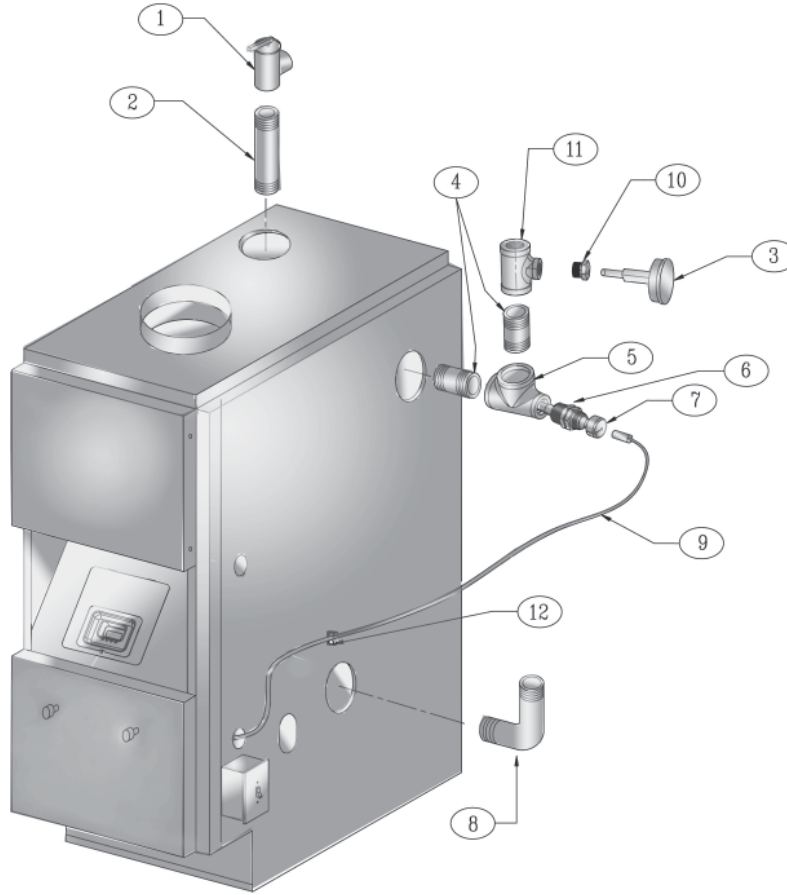


FOR PARTS 1-7 SEE REPAIR PARTS TABLE BELOW

ITEM	DESCRIPTION	3 SECTION	4 SECTION	5 SECTION	6 SECTION	7 SECTION	8 SECTION	9 SECTION
1	Gas Valve - Elect Ignition - Nat gas	14662052	14662052	14662052	14662058	14662058	14662058	14662058
	Gas Valve - Elect Ignition - LP gas	14662062	14662062	14662062	14662059	14662059	14662059	14662059
	Gas Valve - Standing Pilot - Nat gas	14662051	14662051	14662051	14662060	14662060	14662060	14662060
	Gas Valve - Standing Pilot - LP gas	14662061	14662061	14662061	14662061	14662061	14662061	14662061
2	Pilot Tube with fittings	43300201	43300201	43300201	43300201	43300201	43300200	43300200
3	#10-32 X 3/16" Hex head screw (2)	14695301	14695301	14695301	14695301	14695301	14695301	14695301
4	Gas Manifold - Nat gas	14616100	14616101	14616102	14616103	14616104	14616105	14616106
	Gas Manifold - LP gas	14616107	14616108	14616109	14616103	14616104	14616105	14616106
5	Main Burner Orifice - Nat gas*	14615041(2)	14615041(3)	14615041(4)	14615042(5)	14615042(6)	14615042(7)	14615042(8)
	Main Burner Orifice - LP gas*	14615043(2)	14615043(3)	14615043(4)	14615043(5)	14615043(6)	14615043(7)	14615043(8)
6	Main Burner*	14615532(1)	14615532(2)	14615532(3)	14615532(4)	14615532(5)	14615532(6)	14615532(7)
6a	Main Burner with Pilot Bracket	14615531	14615531	14615531	14615531	14615531	14615531	14615531
7	Pilot Burner - Elect Ignition - Natural Gas	14662092	14662092	14662092	14662092	14662092	14662092	14662092
	Pilot Burner - Elect Ignition - LP Gas	14662093	14662094	14662094	14662094	14662094	14662094	14662094
	Pilot Burner - Standing Pilot - Natural Gas	14662098	14662098	14662098	14662098	14662098	14662098	14662098
	Pilot Burner - Standing Pilot - LP Gas	2380001	2380001	2380001	2380001	2380001	2380001	2380001
++	Rollout Shield	42500933	42500934	42500935	42500936	42500937	42500938	42500939
++	Thermocouple	1520001	1520001	1520001	1520001	1520001	1520001	1520001

* Quantity required: Listed in (brackets)
++ Not Shown

Supplied Plumbing Parts



ITEM #	DESCRIPTION	PART NUMBER
1+	3/4" ASME Relief Valve	14622011
2+	3/4" x 7 1/2" Nipple	14607041
3+	Temp/Pressure Gauge- 2" Stem	1260006 SP
4	1 1/4" x 2 1/2" Nipple (2)	14607044
5	1 1/4" x 3/4" x 1 1/4" Reducing Tee	1510001
6	Well Assembly 3/4" Hydrolevel 48-201	240007709
7	Grommet Hydrolevel 48-3150-50	240007713
8	1 1/4" x 6" x 6" Bent Nipple	14607003
9	Sensor 48" Hydro 45-3150-58, 3-5 Sec	240007708
	Sensor 60" Hydro 45-3150-57, 6-9 Sec	240007909
10	Bushing 3/4"X1/4" Blk Std	1060002
11	Tee 1 1/4 x 1 1/4 x 3/4	PF05901
12	Clamp 3600 Ch R-12	EF03601
++	Taco 007 Circulator Pump	CI-001.03
	Grundfos UP15-42F Circulator Pump	CI-006.01
+ Items 1-3 In Parts Bag		
++ Not Shown		

