



GAS-FIRED, DIRECT VENT,  
CONDENSING, HOT WATER BOILER

## REPAIR PARTS LIST

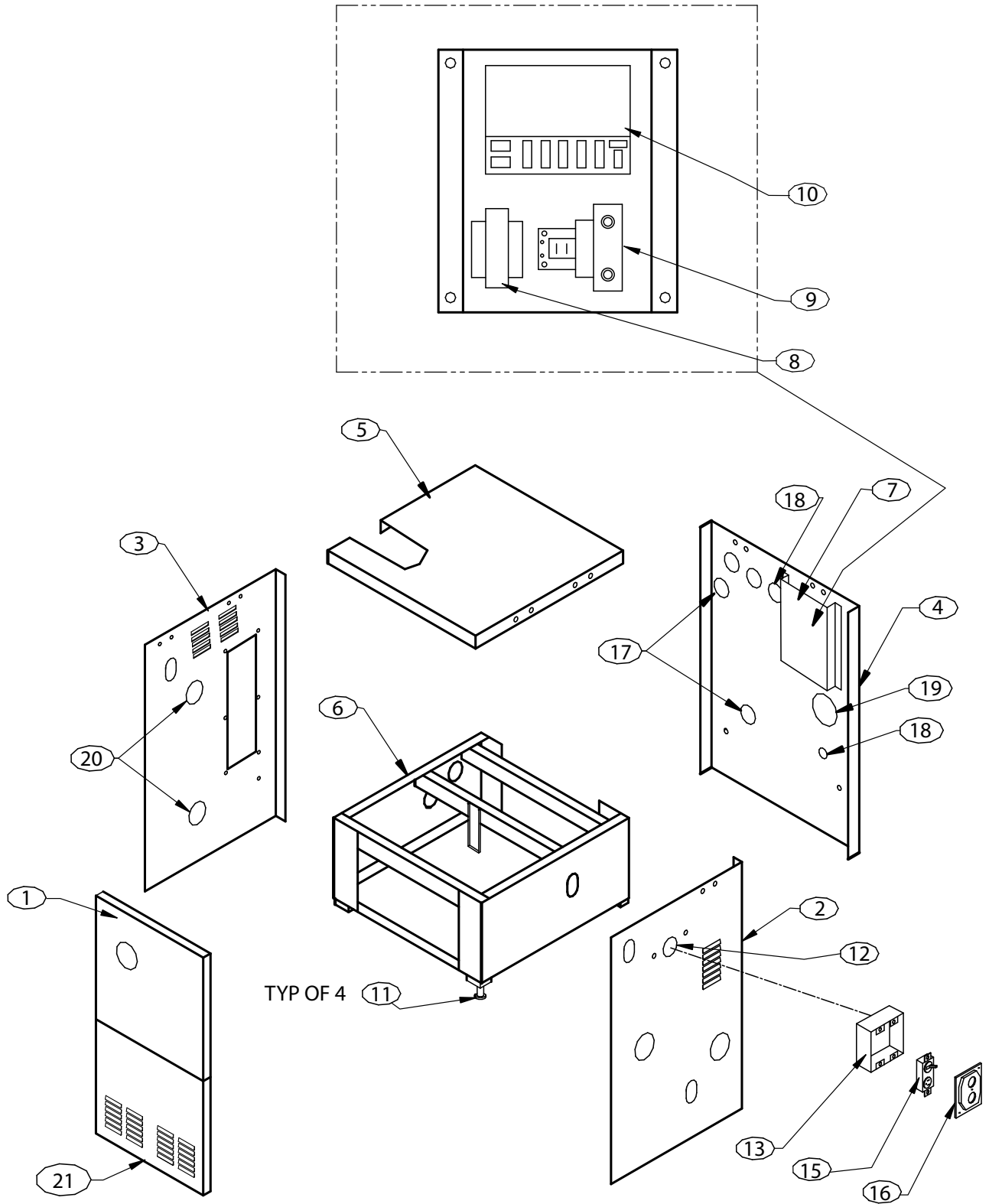


An ISO 9001-2008 Certified Company

ECR International, Inc.  
2201 Dwyer Ave  
Utica, NY 13501  
[www.ecrinternational.com](http://www.ecrinternational.com)

P/N# 240008084, Rev. A [12/2010]

Jacket and Base Assembly

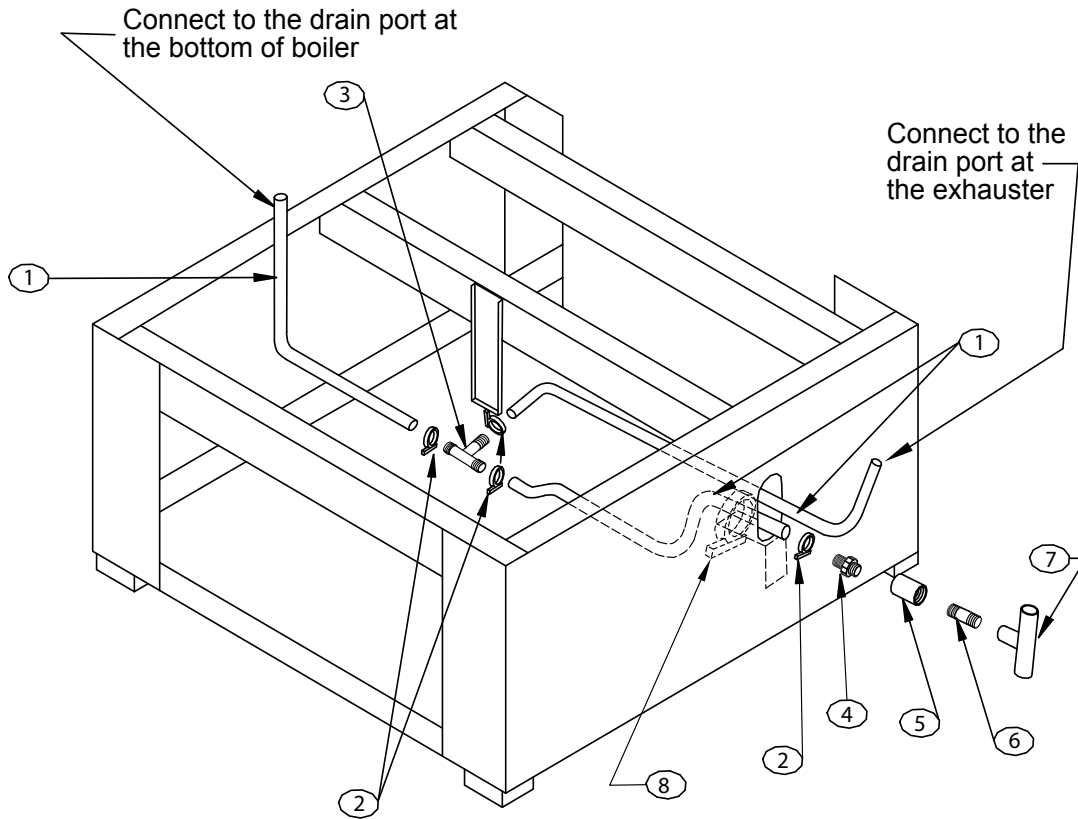


**REPAIR PARTS**

<b>JACKET AND BASE ASSEMBLY</b>			
<b>KEY #</b>	<b>DESCRIPTION</b>	<b>QUANTITY</b>	<b>ITEM NUMBER</b>
1	FRONT PANEL	1	750001020
2	RIGHT PANEL	1	750001021
3	LEFT PANEL	1	750001022
4	BACK PANEL	1	750001023
5	TOP PANEL	1	750001024
6	BASE	1	750001025
7	CONTROL PANEL	1	650001026
8	AT140B1016 TRANSFORMER 24 VAC	1	550001339
9	-----	-----	-----
10	UT 1013-10 INTEGRATED BOILER CONTROL	1	14662803
11	CO-2366 GLIDE	4	14631091
13	RACO 232 4x4x2½ BOX	1	14631316
14	-----	-----	-----
15	P&S SWITCH 691-I	1	14631319
16	COVER PLATE RACO 902-802	1	14631318
17	419 Q1 2½" PLUG	2	14631174
18	415-1AA1 1½" PLUG	2	14631171
19	BPF 3 ½" PLUG	1	14631176
20	421 Q1 PLUG	2	14631175
21	LOWER FRONT PANEL	1	750001027
22	DOOR PULLS	2	14631095
‡	TACO CIRCULATING PUMP	1	CI 001.03
‡	TACO ISOLATION VALVE SET	1	14626048
‡	GRUNDFOS CIRCULATING PUMP	1	C1.006.01
‡	CIRCULATING PUMP HARNESS	1	43300826
‡	JACKET COMPLETE	-----	750001002
‡	3" CONCENTRIC VENT KIT ULC S636	1	29571

‡ - Not Shown

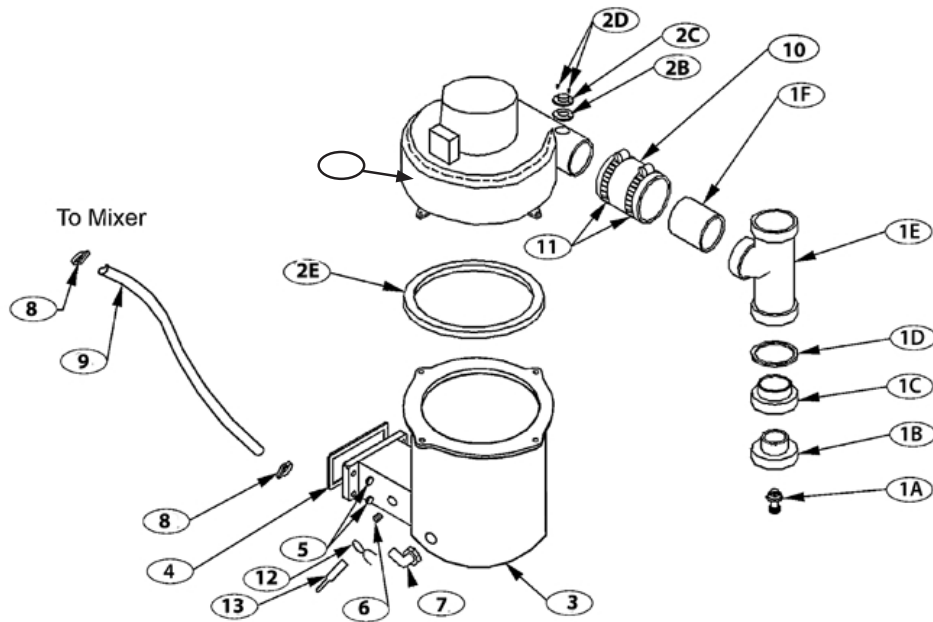
Condensate Drain Trap Assembly



KEY #	DESCRIPTION	QUANTITY	ITEM NUMBER
1	59019 1/2"IDx1/8" THK VINYL TUBING	AS REQUIRED	14631035
2	57134 3/4" SNAP GRIP CLAMP	6	14631141
3	62067 1/2"ID HOSE TEE	1	14631320
4	62017 1/2"NPTx 1/2"ID TUBE STRAIGHT HOSE ADAPTER	1	14631101
5	1/2" PVC COUPLING, SCH 80	1	14631306
6	1/2"4" PVC NIPPLE, SCH 80	1	14631322
7	TEE PVC 1/2"SLIP x 1/2"SLIP x 1/2"NPT FEMALE	1	14631020
8	S. S. CLAMP, SIZE 16 (13/16"~1 1/2")	1	14631323

REPAIR PARTS

Flue Adapter and Exhaust Assembly

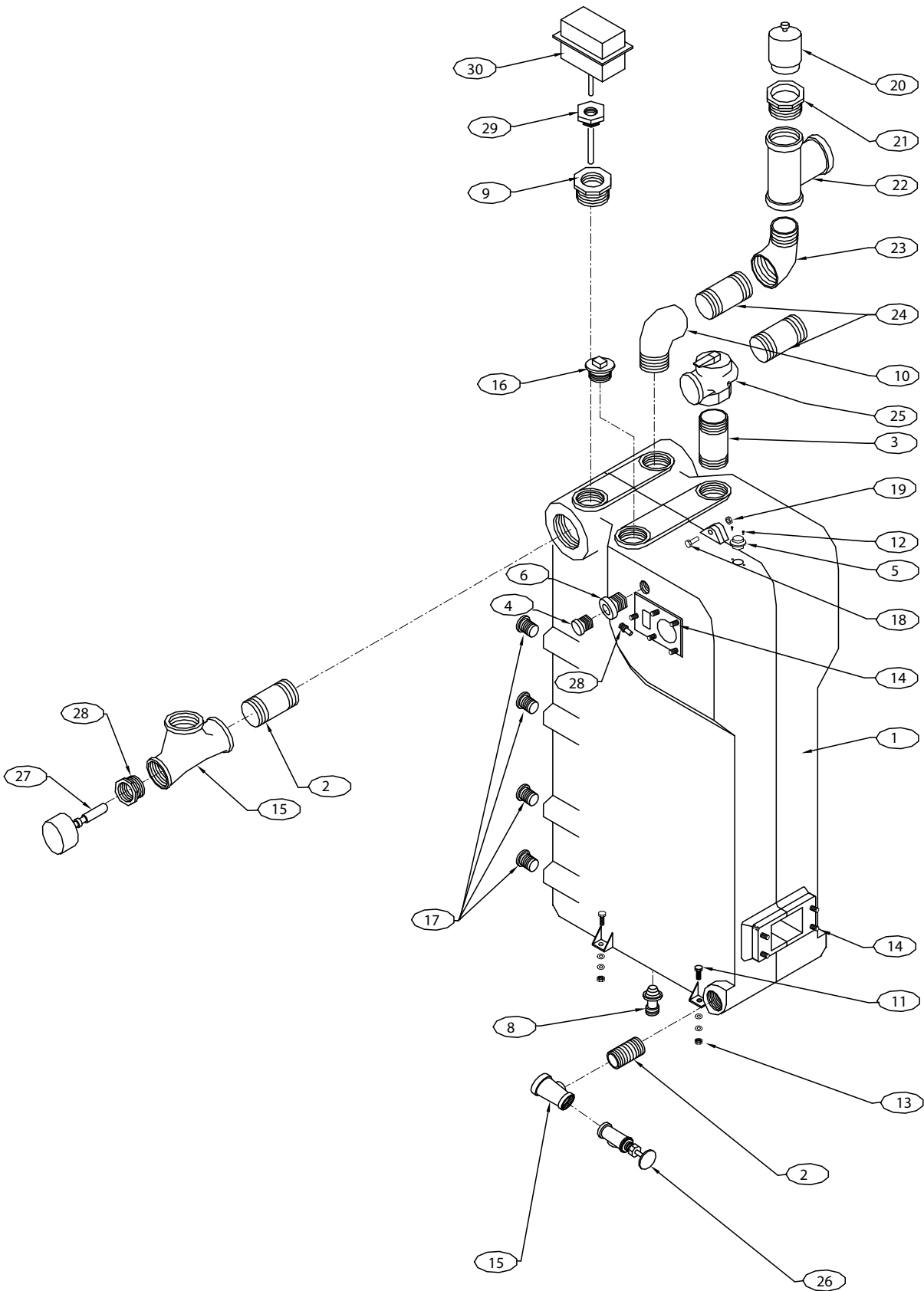


KEY #	DESCRIPTION	QUANTITY	ITEM NUMBER
1	EXHAUST TEE ASSEMBLY [INCLUDES- 1-A,B,C,D,E & F]	1	43800001
1A	62017 1/2"NPTx1/2"ID TUBE STRAIGHT HOSE ADAPTER	1	14631101
1B	PVC 1 1/2" MALE SLIP x 1/2" FEMALE NPT BUSHING	1	14631013
1C	PVC SCH 40 2"x1-1/2" REDUCER S636 BUSHING	1	240006817
1D	1/2X1 7/8"X.90 ALUMINUM FLAT WASHER 1	1	14695815
1E	2" CPVC TEE, SCH 80 S636	1	240006819
1F	2" CPVC PIPE '2-1/2", SCH 40 S636	1	240006821
2**	INDUCED DRAFT BLOWER KIT [INCLUDES- 2-A,B,C,D,E,F & G]	1	2272065
2A	FLUE GAS BLOWER	1	240007748
2B	VENT SWITCH GASKET	1	14631028
2C	36TX11-22491 INDUCER TEMP SAFETY SWITCH	1	14631303
2D	#4-20x1/4" HWH PLAST FORM SCREW	2	hw06501
2E	BLOWER GASKET	1	14631026
3	FLUE CONNECTOR	1	12101021
4	Screw, 6 x 1/4, Slit, HH	2	HW06501
5	1/4"-20 HEX NUT W/SERRATED WASHER BLOCK	4	14695810
6*	1/8" NPT 3/16" PLUG STEEL	1	14693804
7	62043 1/2" NPT '1/2" ID TUBE ELBOW	1	14631103
8	57134 3/4" SNAP GRIP CLAMP	2	14631141
9	59019 1/2" ID '1/8 THK VINYL TUBE	AS REQUIRED	14631035
10	HOSE, 3" LONG 2-3/8" ID X 2-3/4" OD	1	14631301
11	S. S. CLAMP, SIZE 44	2	14631302
**	VENT PIPE 2" CPVC SCH-40 X 29 1/2" LONG	2	240006820
**	COUPLING CPVC SCH-80 2"	1	240006822

\* - Combustion Test Port

\*\* - Not shown

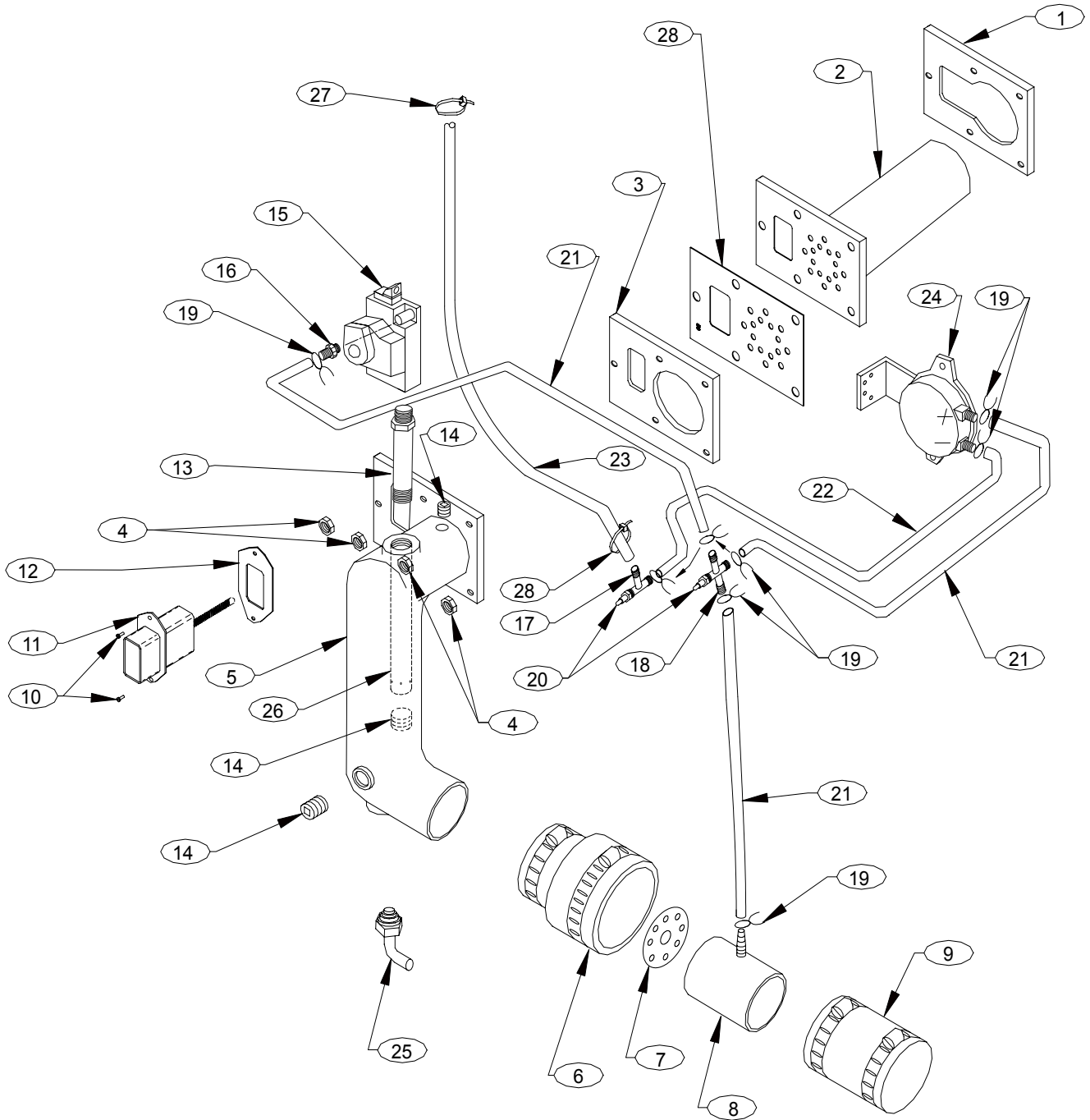
Boiler Block and Piping Assembly



**REPAIR PARTS**

<b>BOILER BLOCK AND PIPING ASSEMBLY</b>					
	<b>KEY #</b>	<b>ITEM NUMBER</b>	<b>DESCRIPTION</b>	<b>QUAN- TITY</b>	
<b>1 INCLUDES 2-19</b>	1	41800950	KIT BLOCK REPL Q90-100 (INCLUDES #2 THRU #19)	1	
	2	14607044	NPL,1-1/4X2-1/2,BI,STD	2	
	3	14607201	NPL,3/4X2,BI,STD	1	
	4	14619002	OBSERVATION GLASS, 3/4"	1	
	5	14631000	SWITCH CASTING TEMP Q90 36T26-42930 300	1	
	6	14631004	ADAPTER, SIGHT GLASS	1	
	7	14631005	FITTING, 125HBL-4-2 1/8"X1/4"BR.B+	1	
	8	14631101	HOSE ADAPTER 62017 1/2"NPT X 1/2" ID	1	
	9	14693004	BSHG,3/4" X 1/2", BLK, STD	1	
	10	14693040	ELG,ST,MALL,3/4",90°	1	
	11	14695040	BOLT, 1/4-20 X 1-1/4", CARRIAGE	4	
	12	14695802	SCR,8-32 X 3/16,RH,ALH,CAP	2	
	13	14684012	PLASTIC BAG 12" X 9", 2 MIL	1	
	14	14695805	STUD, THREADED, 1/4-20 X 1 1/4"	9	
	15	1510001	TEE,RDCR,1-1/4" X 3/4" X 1-1/4"	2	
	--- * NOTE: #16 THRU #19 INSTALLED IN HEAT EXCHANGER ---				
	16*	1395001	3/4" SQ HD PLUG	1	
	17*	1395002	1-1/4 HEX SOCKET PLUG	8	
	18*	14695801	SCR, 1/4-20 X 1-1/2",RH,ALH,CAP	5	
19*	14695810	NUT, 1/4-20,HWS	5		
	20	1580006	VENT AIR PURGE Q SERIES	1	
	21	14693001	BSHG, 3/4" X 1/8",BLK	1	
	22	14693076	TEE,BLK, 3/4"	1	
	23	14693040	ELB,ST,MALL,3/4", 90°	1	
	24	14607002	NPL, 3/4" X 6-1/2",BI,SCH 80, PS2	2	
	25	14622011	VLV,FLF,ASME,30PSI,3/4,10-408-05	1	
	26	14622000	VLV,DRN,3/4,MATCO,NORCA,204TM4	1	
	27	1260006sp	GAUGE,TEMP/PRESS,2" SHANK	1	
	28	14693001	BSHG,3/4" X 1/8" BLK	1	
	29	14662804	WELL CONTROL 1/2" 123869A B.P.	1	
	30	14631324	AQUASTAT L4006-2080	1	

Mixer and Air Pressure Switch Assembly





**REPAIR PARTS**

<b>MIXER AND AIR PRESSURE SWITCH ASSEMBLY</b>			
<b>KEY #</b>	<b>DESCRIPTION</b>	<b>QUANTITY</b>	<b>ITEM NUMBER</b>
1	BURNER GASKET	1	14631023
2A	BURNER KIT, 50 &100 NAT/LP, 0'-10,000' (Contains: 1, 2, 3, 7, 10, 11, 12)	1	550001811
2B	BURNER KIT, 75 NAT, 0'-10,000' (Contains: 1, 2, 3, 7, 10, 11, 12 & 29)	1	550001811
2C	BURNER KIT, 75 LP, 0'- 5,000' (Contains: 1, 2, 3, 7, 10, 11, 12 & 29)	1	550001811
2D	BURNER KIT, 75 LP, 5,000'-10,000' (Contains:1, 2, 3, 7, 10, 11, 12,)	1	550001812
3	MIXER GASKET	1	14631025
4	1/4"-20 HEX NUT W/SERRATED WASHER HEAD	5	14695810
5	MIXER CASTING MACHINED	1	12101008
6	2"×1½" FLEXIBLE COUPLING	1	14631311
7A	100 AIR BAFFLE	1	42531100
7B	75 AIR BAFFLE	1	42531101
7C	50 AIR BAFFLE	1	42531102
8	AIR INLET	1	43800007
9	2" FERNCO COUPLING	1	14631015
10	10-32"x3/8" MACHINE SCREW	2	14695809
11*	HOT SURFACE IGNITER KIT (FOR 50/75/100)	1	43800013
12	HOT SURFACE IGNITER GASKET	1	1250010
13	BUSHING WITH HEX, Q90 MIXER	1	1060007
14	1/8" NPT BRASS PLUG – 3/16" HEX SOCKET	3	14693804
15	HONEYWELL GAS VALVE VR8205	1	14631307
16	5/16-24 1/4 HOSE ID BRASS BARB FITTING	1	14631308
17	62064 1/4"ID TUBE TEE	1	14631104
18	1/4"ID TUBE 4-WAY CONNECTOR	1	14631313
19	3/8" HOSE CLAMP HC-6ST	10	14631143
20	PC250-12VINYL CAP	2	14631151
21	59006 1/4"IDx3/8"OD VINYL TUBING	AS REQUIRED	14631033
22	1/4"ID'3/8"OD VINYL TUBING (RED)	AS REQUIRED	14631314
23	3/16" ID SILICONE TUBING	AS REQUIRED	1552014
24A	PPS10111-2680 AIR PRESSURE SWITCH (100)	1	14631312
24B	PPS10111-2681 AIR PRESSURE SWITCH (75)	1	14631010
24C	PPS10111-2682 AIR PRESSURE SWITCH (50)	1	14631044
25	62043 1/2" NPT 1/2"ID TUBE ELBOW	1	14631103
26A	GAS ORIFICE NATURAL, 100N (0.0860, #44)	1	43331090
26B	GAS ORIFICE NATURAL, 75N (0.0760, #48)	1	43331092
26C	GAS ORIFICE NATURAL, 50N (0.0615)	1	43331094
26D	GAS ORIFICE PROPANE, 100P (0.0670, #51)	1	43331091
26E	GAS ORIFICE PROPANE, 75P (0.0605)	1	43331093
26F	GAS ORIFICE PROPANE, 50P (0.0492)	1	43331095
26G	GAS ORIFICE PROPANE, 50P (0.0492)	1	43331095
27	ROTOR CLAMP	2	14631143
28A	RESTRICTOR PLATE 90-50	1	109006405
28B	RESTRICTOR PLATE 90-75	1	109006406
-	NATURAL TO LP CONVERSION KIT, 50', 0'-10,000'	1	43345200
-	NATURAL TO LP CONVERSION KIT, 75, 0'-5,000'	1	43345201
-	NATURAL TO LP CONVERSION KIT, 75, 5,000'-10,000'	1	550001810
-	NATURAL TO LP CONVERSION KIT, 100, 0'-10,000'	1	43345202

\* - Includes item numbers 10, 11 & 12.





