

freewatt®



**WARM AIR
freewatt SYSTEM
Model WAA**

**PARTS, KITS &
OPTIONAL
ACCESSORIES**

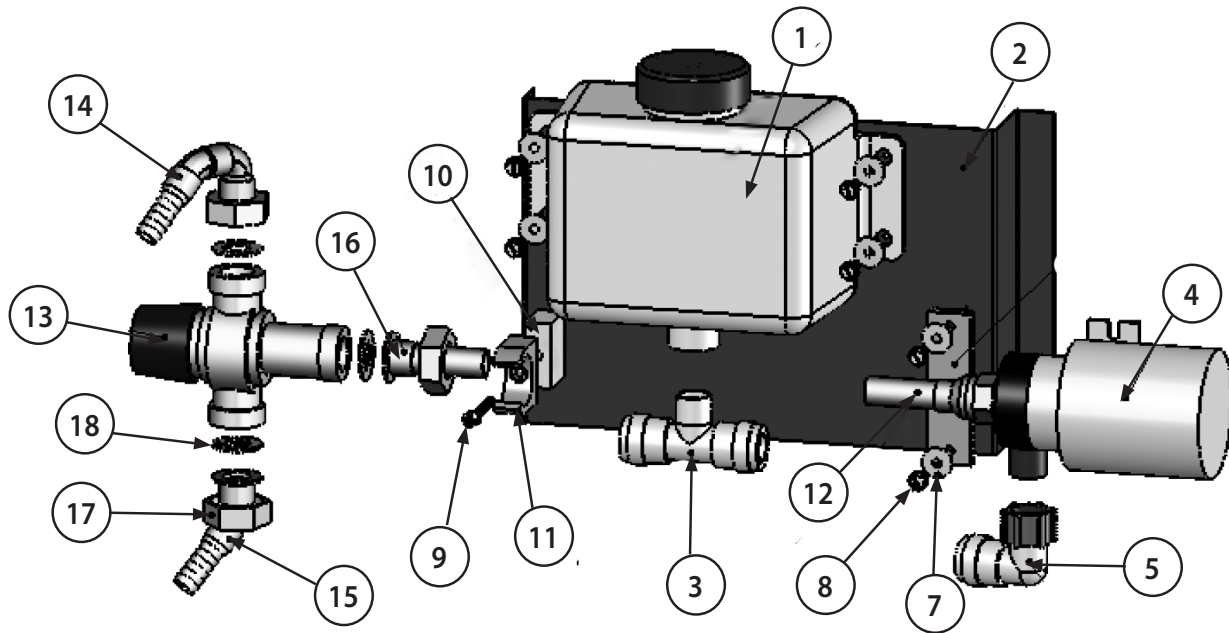
An ISO 9001-2008 Certified Company
ECR International, Inc.
2201 Dwyer Ave.
Utica, NY 13501



Information and specifications in the manual were in effect at time of printing of this manual. ECR International reserves the right to discontinue, change specifications or system design at any time without notice and without incurring any obligation, whatsoever.

P/N# 240008087, Rev. C [03/2011]

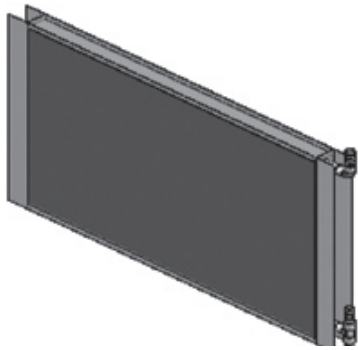
Check our website frequently for updates: www.freewatt.com www.ecrinternational.com



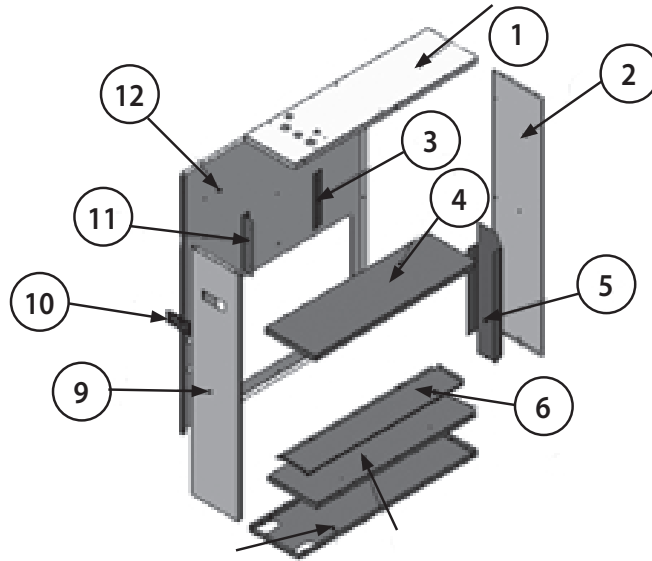
freewatt WA HI Module Assembly

	Item	Part Number	Description	QTY.	
KIT #118 WA HI Module Assembly	Kit #118, WA HI Module Assembly (Includes all Items and Kits Below)				
		7	131	Washer, #10 x .685" OD	6
		2	120	Mechanical Plate	1
		10	139	Plastic Mixing Valve Spacer	1
		22	130	Mixing Valve Clamp	1
		9	136	Screw, # 10 x 1-3/4"	1
		8	123	Screw, #10 x 3/4", Type AB	6
		Kit #55002101 Coolant Tank Replacement Kit			
	Kit #55002101 Includes	1	124	2 Quart Coolant Tank (Includes Cap and Gasket)	1
		3	132	Plastic Tee, 1/2" Male NPT X 1/2" CTS x 1/2" CTS	1
		*	135	Collet Clip	2
		*	377	freewatt Tank Label	1
		Kit #55002102 Mixing Valve Replacement			
	Kit #55002102 Includes	13	181	Mixing Valve	1
		14	410	Cold Mixing Valve Fitting	1
		15	411	Hot Mixing Valve Fitting	1
		16	412	Outlet Mixing Valve Fitting	1
		17	182	Mixing Valve Nut	2
		18	119	Washer, 5/8" ID x 1-4/8" OD, 1/16 Thick BUNA-N	3
		Kit #55002103 Pump Replacement			
	Kit #55002103 Includes	4	121	WAA Pump Assembly	1
		12	413	WAA Pump Fitting Assembly	1
		5	134	Female Swivel Elbow, 1/2" NPS Female x 1/2" CTS	1

freewatt MODEL WAA - REPAIR PARTS

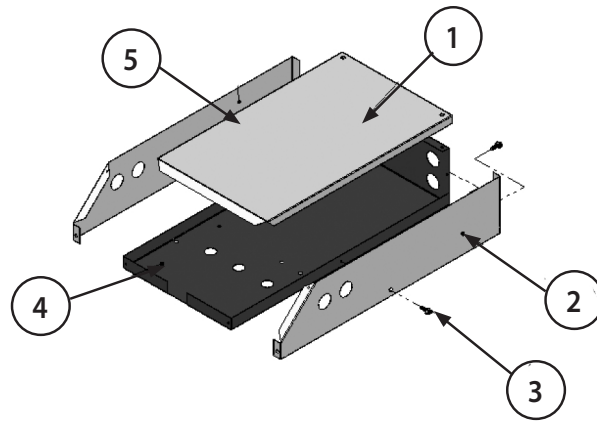


freewatt Aircoil Assembly		
Part Number	Description	QTY
146	freewatt Aircoil Assembly	1

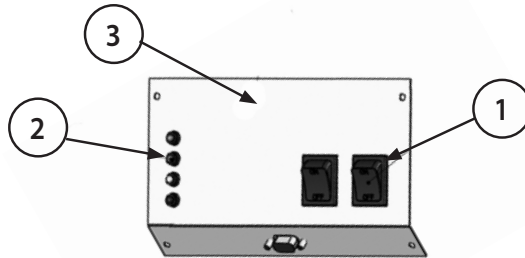


freewatt, HI Module Sheet Metal Assembly				
	Item	Part Number	Description	QTY
Part #117 HI Module Sheet Metal Assembly	1	103	Interior Panel	1
	2	100	Back Panel	1
	3	107	Interior Bottom Panel	1
	4	28673	Door Handle	1
	7	106	Right Side Panel	1
	8	101	Base Panel	1
	9	102	Front Door	1
	10	116	Rear Pump Bracket	1
	11	115	Front Pump Bracket	1
	12	104	Left Side Panel	1
	*	105	Top Panel	1
	*	14695074	Screw, 10 x 1/2, Type AB	24
	*	367	Foam, 1/4" x 1/2"	12FT
	*	386	Foam, 1/8" x 1/2"	2.4FT
Items not included with kit				
	5	108	Aircoil Rear Bracket	1
	6	110	Aircoil Bottom Bracket	1
* Not Shown				

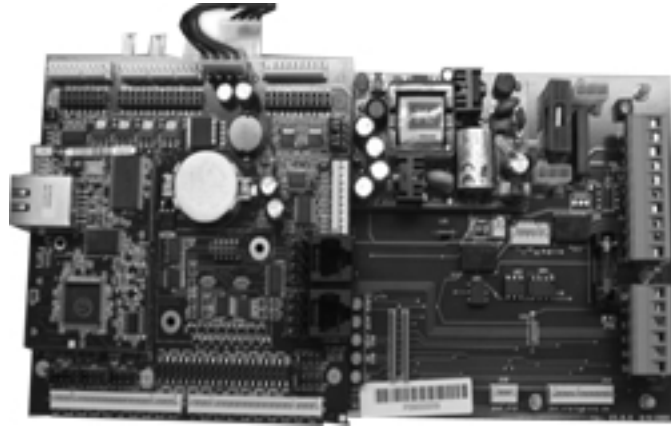
freewatt MODEL WAA - REPAIR PARTS



freewatt Electrical Enclosure				
	Item	Part Number	Description	QTY.
Kit #178 Electrical Assembly	1	169	Top Panel, Electrical Enclosure	1
	2	170	Right Panel, Electrical Enclosure	1
	3	177	Slotted Screw, #8 x 1/2", Type B	4
	4	167	Base Panel, Electrical Enclosure	1
	5	168	Left Panel, Electrical Enclosure	1
Repair Parts - Electrical Enclosure				
	*	423	PCB Cover	1
	*	166	Rubber Grommet, 3/8" ID x 7/8" OD, 1	3
* Not Shown				



freewatt Front Panel Assembly				
	Item	Part Number	Description	QTY
Kit #163 Front Panel Assembly	1	160	2 Position Switch	2
	2	406	LED Cable Assembly	1
	3	171	Front Panel Display Panel	1
	*	405	freewatt Serial Communication Cable	1
	*	407	AC Power Switch Cable	1
	*	403	freewatt Furnace Power Cable	1
	*	400	Relay Board Cable	1
Items not included with kit				
Mounting Screws	*	174	Screw, Phillips, #6 x 5/16" Type B, Self Tapping	4
Connection Kit	*	362	Hardware Connection Kit	1
* Not Shown				

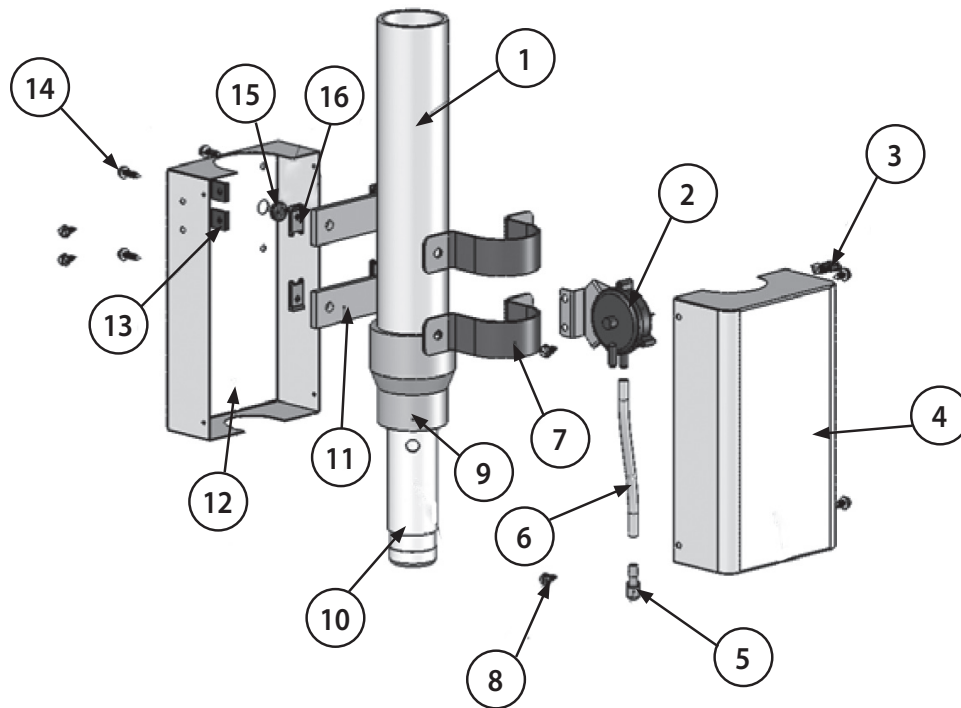


freewatt Control Board Assembly Parts		
Part Number	Description	QTY.
3001784	freewatt Control Board Assembly	1
364	Nylon Nut	2
362	Hardware Connection Kit	1
348	Ring Terminal, 16-14 AWG, #8 Stud	1
179	Ground Wire, 14 Gauge	1
401	MCHP Communication Cable	1
404	Furnace Control Cable	1



Exhaust, MCHP, freewatt WAA, Kit #283				
Kit #283	Item	Part Number	Description	QTY
Exhaust, MCHP	1	240	Worm Gear Clamp, 12/16" - 1-3/4", 301SS	2
	2	149	Flexible Exhaust Hose	1

freewatt MODEL WAA - REPAIR PARTS



freewatt WAA, Pressure Switch Assembly

	Item	Part Number	Description	QTY.
Kit #151 Pressure Switch Assembly	1	415	PVC Pipe, Schedule 40, 2" x 12"	1
	2	394	Pressure Switch	1
	3	418	Spade Terminal, 1/4", 22-18AWG, Insulated	2
	4	389	Pressure Switch Cover	1
	5	157	Brass Elbow, 1'8" MNPT x 1/4" Barb	1
	6	142	Silicone Tubing, 3/16" ID x 5/16" OD	0.5FT
	7	381	Clamp, 2-3/8" ID, 2 Hole	2
	8	14695074	Slotted Screw, 10 x 1/2, Type AB	6
	9	147	PVC Coupling, 2" x 1-1/4"	1
	10	154	Exhaust Pipe, 6"	1
	11	416	PVC Spacer	2
	12	390	Pressure Switch Base	1
	13	420	Speed Nut, #10, 1/4 OFFSET	2
	14	123	Slotted Screw, #10 x 3/4, Type AB	4
	15	421	Rubber Grommet, 5/16" ID x 1/2" OD, 1/16" Thick	1
	16	419	Speed Nut, #8, 5/8 OFFSET	4
	*	417	22 Gauge, 2 Conductor Wire	20 FT

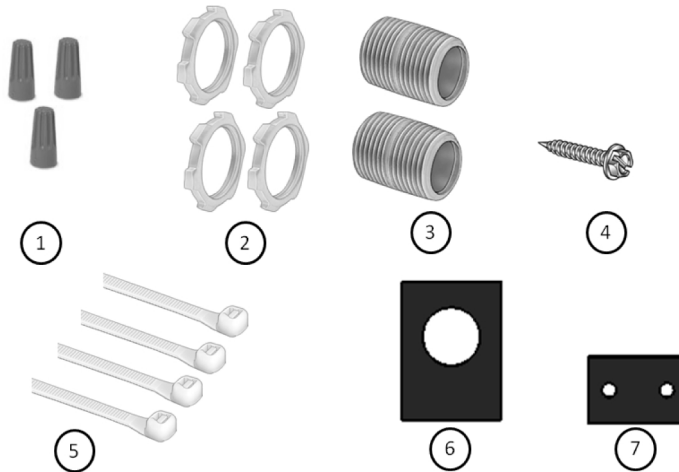
* Not Shown

freewatt MODEL WAA - REPAIR PARTS



freewatt, TSTAT, RC-80 , Kit #368 - includes

Part Number	Description	QTY
251	Thermostat	1
408	Thermostat Cable (4 wire pigtail)	1



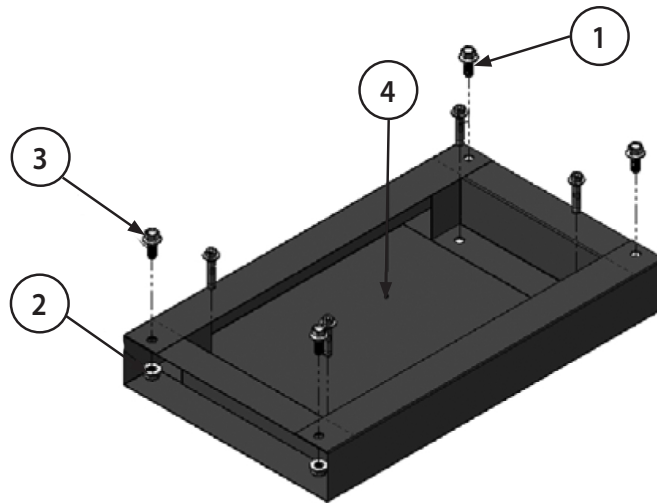
Common Integration Parts

Item	Part Number	Description	QTY.
*	494	Plastic Elbow, 1/2" CTS x 1/2" Barb	1
*	135	Collet Clip	2
*	248	Selftite Hose Clamp, 1/2"	4
*	247	Onix Tubing, 1/2" ID	16 FT
*	374	Onix Tubing, 11-1/2"	1
*	375	Onix Tubing 19-1/2"	1
*	14695074	Slotted Screw, 10 x 1/2, Type AB	4

freewatt WA, Integration Kit #275

Kit #275 WA Integration	1	1130001	Wire Nuts	3
	2	291	Conduit Lock Nut, 1/2"	4
	3	473	Conduit Nipple, 1/2"	2
	4	143	Screw, #10 x 3/4, Self Tapping, Slotted	1
	5	254	Nylon Wire Tie	3
	6	113	Front Aircoil Bracket	1
	7	114	Rear freewatt Mounting Bracket	2
	*	367	Foam, 1/4" x 1/2"	6.58 FT

* Not Shown



MCHP Base Assembly Kit - #550002122 (includes all items listed below)					
Kit #550002122 Base Assembly	Item	Part Number	Description	QTY.	
	Kit 273 MCHP Hardware Base Kit	1	284	Anchor Sleeve, 3/8" x 1-7/8", 5/16-18 Threaded	4
		2	281	Lock Nut, 7/16-14	4
		3	282	Bolt, 7/16-14 x 1", FLG HH, Grade 8	4
		4	279	freewatt MCHP Base Assembly	1

freewatt MCHP, Cooling Tubing Kit #274 (not shown),			
Kit #274 freewatt MCHP Cooling Tubing	Part Number	Description	QTY.
	246	Barb fitting, 1/2" MNPT x 1/2"	2
	245	Elbow, 1/2" Brass	2
	422	Nylon Wye Fitting 1/2" Barb	1
	135	Collet Clip	2
	138	Plastic Barb, 1/2" CTS x 1/2" Barb	1
	292	Quick Disconnect Shut off, 1/2" Barb	1
	293	Quick Disconnect 1/2" Barb	1
	248	Selftite Hose Clamp, 1/2"	6
	395	Butt Splice, 22-18 AWG	5
	383	Nylon Clamp, 1/4" OD, Single Hole	1
	464	Rubber Grommet, 5/8" ID x 1-1/8" OD, 1/16" Thick	1
	626	Tee, 1/2" Barbed, Nylon	1

freewatt MODEL WAA - REPAIR PARTS

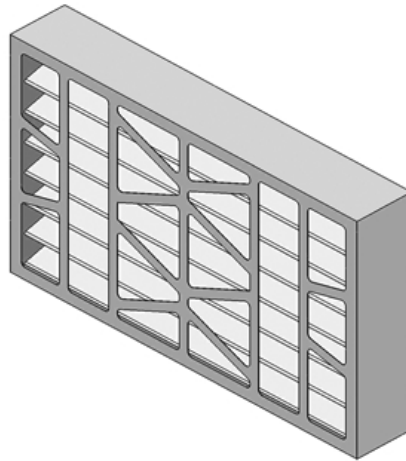
1 Stage freewatt WA, Literature Document Kit #289, (not shown)			
Kit #289 1 Stage freewatt WA Literature Document	Part Number	Description	QTY.
	210	Single Stage freewatt Instruction Operation Maintenance Manual	1
	216	freewatt Warm Air Owner's Manual	1
	498	freewatt Limited Warranty	1
	240008087	Repair Parts Listings	1

Interlocked MCHP Monitor, Replacement Kit #550002104, (not shown)			
Kit #550002104 Interlocked MCHP Monitor	Part Number	Description	QTY.
	287	Carbon Monoxide Detector	1
	409	Cable, CO Alarm Assembly	1

Outdoor Sensor, (not shown)		
Part Number	Description	QTY.
288	Outdoor Sensor	1

freewatt MODEL WAA - ACCESSORIES

Condensate Pump - Lower Power Consumption, (not shown)		
Part Number	Description	QTY.
240007793	Laing TP1 Condensate Pump	1

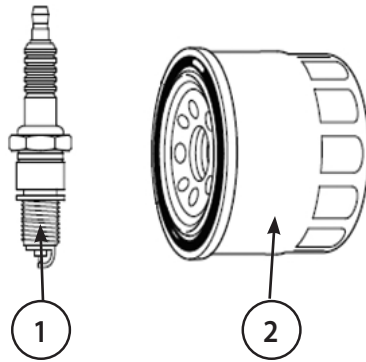


Replacement Air Filters		
Part Number	Description	QTY.
550002032	MERV8 Replacement Air Filter 3 Pack	1
550002033	MERV8 Replacement Air Filter 6 Pack	1
550002051	MERV14 Replacement Air Filter 3 Pack	1

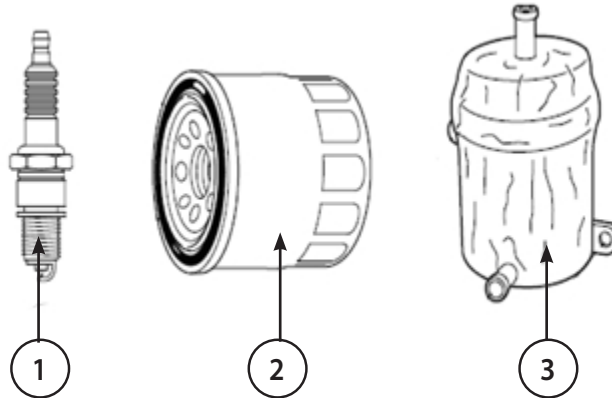
Honda MCHP Shop Manual, (not shown)		
Part Number	Description	QTY.
61YM200	Honda MCHP Shop Manual	1

MCHP, Honda Coolant Kit #3001566, (not shown)		
Part Number	Description	QTY.
222	MCHP Coolant, 4 Liters, Honda08CLA-H9914ZA8	2
Note: Item 222 is not sold individually, MCHP coolant is only available in coolant kit #3001566, which includes two 4 Liter cans.		

freewatt MODEL WAA - PERIODIC MAINTENANCE



freewatt MCHP, YM2 (A, Z & J), 6K/18K Hr Service Kit #550002024				
	Item	Part Number	Description	QTY.
Service Kit #550002024 freewatt MCHP 6K/18K Hour	1	240007667	MCHP Spark Plug	1
	2	240007665	MCHP Oil Filter	1
	*	221	MCHP Oil 4 Liters	1
	*	240007672	12mm Crush Washer	1
	*	240007697	MCHP Oil Literature	1
	*	240007668	MCHP Head Cover Gasket	1
	*	240008862	MCHP1.2U Model Kit Instructions	1
	*	240008879	MCHP1.2D/DP Models Kit Instructions	1
* Not Shown				



freewatt MCHP, YM2 (A, Z & J), 12K Hr Service Kit #550002045				
	Item	Part Number	Description	QTY.
Service Kit #550002045 freewatt MCHP 12K Hour Service Kit	1	240007667	MCHP Spark Plug	1
	2	240007665	MCHP Oil Filter	1
	3	240007809	MCHP Crankcase Breather Separator	1
	*	221	MCHP Oil 4 Liters	1
	*	240007672	12mm Crush Washer	1
	*	240007697	MCHP Oil Literature	1
	*	240007668	MCHP Head Cover Gasket	1
	*	240007815	MCHP Crankcase Breather Tube	1
	*	240008862	MCHP1.2U Model Kit Instructions	1
	*	240008879	MCHP1.2D/DP Models Kit Instructions	1
* Not Shown				

freewatt®



P.O. Box 4729
Utica, NY 13504-4729
www.freewatt.com
www.ecrinternational.com