

**freewatt®**



**WARM AIR  
freewatt SYSTEM  
Model WAZ**

**PARTS, KITS &  
OPTIONAL  
ACCESSORIES**

An ISO 9001-2008 Certified Company  
ECR International, Inc.  
2201 Dwyer Ave.  
Utica, NY 13501

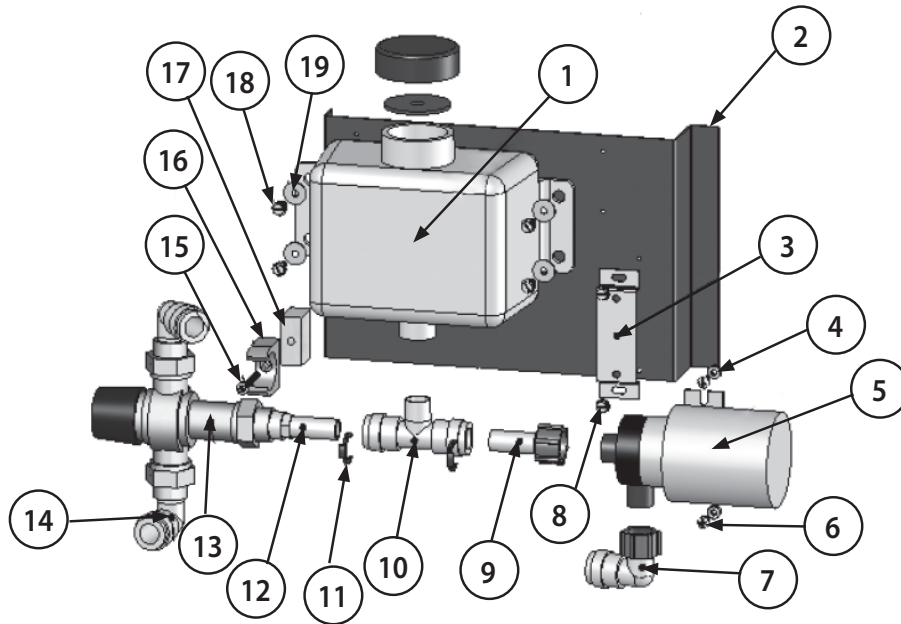


Information and specifications in the manual were in effect at time of printing of this manual. ECR International reserves the right to discontinue, change specifications or system design at any time without notice and without incurring any obligation, whatsoever.

P/N# 240008088, Rev. D [04/2011]

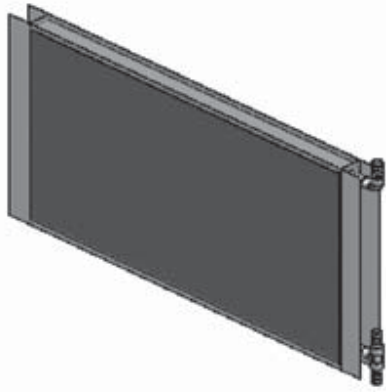
Check our website frequently for updates: [www.freewatt.com](http://www.freewatt.com) [www.ecrinternational.com](http://www.ecrinternational.com)

freewatt MODEL WAZ - REPAIR PARTS

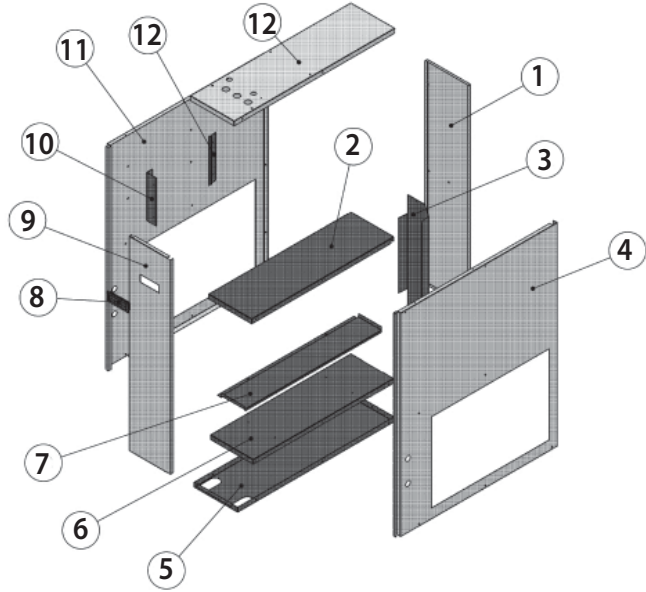


| freewatt WAZ HI Module Assembly          |   |  |             |  |   |
|--|---|--|-------------|--|---|
|  | Item  | Part Number  | Description | Qty  |   |
| KIT #846<br>WAZ Hi<br>Module<br>Assembly | <b>Kit #846, WAZ HI Module Assembly (Includes all Items and Kits Below)</b> |  |             |  |   |
|  |   | 2  | 847         | Mechanical Plate                                 | 1 |
|  |   | 3  | 354         | Pump Spacer                                      | 1 |
|  |   | 4  | 485         | Locking Nut, #10 - 32                            | 2 |
|  |   | 6  | 486         | Screw, # 10 - 32x 3/8"                           | 2 |
|  |   | 8  | 109         | Screw, #10" x 12"                                | 2 |
|  |   | 15   | 136         | Screw, # 10 x 1-3/4"                             | 1 |
|  |   | 16   | 130         | Mixing Valve Clamp                               | 1 |
|  |   | 17   | 139         | Plastic Mixing Valve Clamp                       | 1 |
|  |   | 18   | 123         | Screw, #10 x 3/4, Type AB                        | 4 |
|  |   | 19   | 131         | Washer, #10 x .685" OD                           | 4 |
|  |   | <b>Kit #550002101 Coolant Tank Replacement Kit</b> |             |  |   |
|  | Kit #550002101 Includes   | 1  | 124         | 2 Quart Coolant Tank (Includes Cap and Gasket)   | 1 |
|  |   | 10   | 132         | Plastic Tee, 1/2" Male NPT X 1/2" CTS x 1/2" CTS | 1 |
|  |   | 11   | 135         | Collet Clip                                      | 2 |
|  |   | *  | 377         | freewatt Tank Label                              | 1 |
|  |   | <b>Kit #476 Mixing Valve Replacement</b>           |             |  |   |
|  | Kit #476 Includes   | 12   | 630         | Plastic Male Stem, 1/2" CTS x 1/2" MNPT          | 1 |
|  |   | 13   | 709         | 150° Mixing Valve                                | 1 |
|  |   | 14   | 480         | Plastic Elbow, 1/2" CTS x 1/2" MNPT              | 2 |
|  |   | <b>Kit #550002121 Coolant Pump Replacement</b>     |             |  |   |
|  | Kit #550002121 Includes   | 5  | 848         | WAA Pump Assembly                                | 1 |
|  |   | 7  | 134         | Female Swivel Elbow, 1/2" NPS Female x 1/2" CTS  | 1 |
|  |   | 9  | 484         | Plastic Female Stem, 1/2" CTS x 1/2" FNPT        | 1 |

**freewatt MODEL WAZ - REPAIR PARTS**

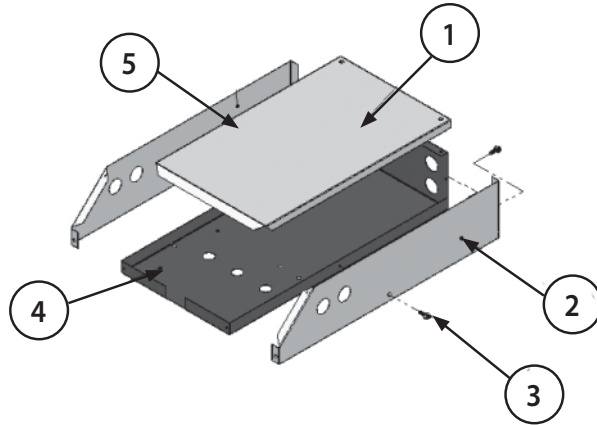


| freewatt Aircoil Assembly |                           |     |
|---------------------------|---------------------------|-----|
| Part Number               | Description               | QTY |
| 146                       | freewatt Aircoil Assembly | 1   |

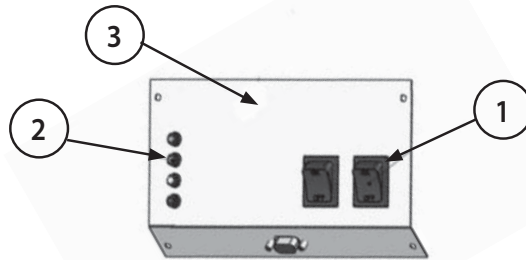


| freewatt WAZ HI Module Sheet Metal Assembly  |      |                   |                          |      |
|--|------|-------------------|--------------------------|------|
|  | Item | Part Number       | Description              | QTY  |
| Part #3001560 Hi Module Sheet Metal Assembly | 1    | 109007649         | Back Panel               | 1    |
|  | 2    | 103               | Interior Panel           | 1    |
|  | 4    | 109007653         | Right Side Panel         | 1    |
|  | 5    | 101               | Base Panel               | 1    |
|  | 6    | 107               | Interior Bottom Panel    | 1    |
|  | 8    | 28673             | Door Handle              | 1    |
|  | 9    | 109007650         | Front Door               | 1    |
|  | 10   | 115               | Front Pump Bracket       | 1    |
|  | 11   | 109007651         | Left Side Panel          | 1    |
|  | 12   | 116               | Rear Pump Bracket        | 1    |
|  | 13   | 109007652         | Top Panel                | 1    |
|  | *    | 14695074          | Screw, 10 x 1/2, Type AB | 24   |
|  | *    | 367               | Foam, 1/4" x 1/2"        | 12FT |
| *  | 386  | Foam, 1/8" x 1/2" | 2.4FT                    |      |
| Kit #550002120 WAZ, Aircoil Bracket Kit      |      |                   |                          |      |
|  | 3    | 108               | Air Coil Rear Bracket    | 1    |
|  | 7    | 110               | Aircoil Bottom Bracket   | 1    |
|  | *    | 14695074          | Screw, 10 x 1/2, Type AB | 4    |

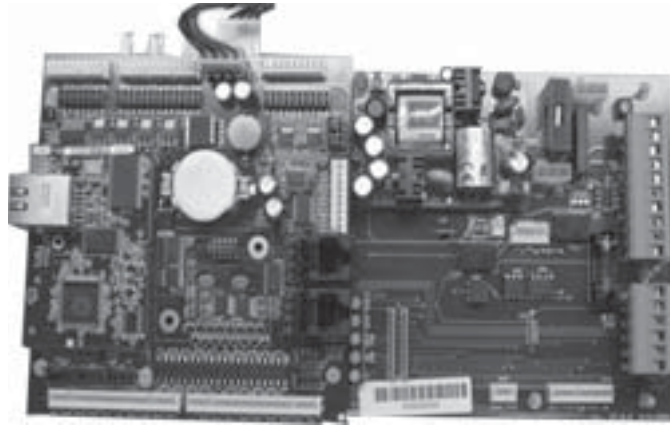
\* Not Shown



| Electrical Enclosure                            |      |             |                                     |      |
|---|------|-------------|-------------------------------------|------|
|   | Item | Part Number | Description                         | QTY. |
| <b>Kit #3001558<br/>Electrical<br/>Assembly</b> | 1    | 109007655   | Top Panel, Electrical Enclosure     | 1    |
|   | 2    | 109007656   | Right Panel, Electrical Enclosure   | 1    |
|   | 3    | 177         | Slotted Screw, #8 x 1/2", Type B    | 4    |
|   | 4    | 167         | Base Panel, Electrical Enclosure    | 1    |
|   | 5    | 109007654   | Left Panel, Electrical Enclosure    | 1    |
| Repair Parts - Electrical Enclosure             |      |             |                                     |      |
|   | *    | 423         | PCB Cover                           | 1    |
|   | *    | 464         | Rubber Grommet, 5/8" ID x 1-1/8" OD | 3    |
| * Not Shown                                     |      |             |                                     |      |



| freewatt Front Panel Assembly                    |                 |             |  |     |
|--|-----------------|-------------|--|-----|
|  | Item            | Part Number | Description                                      | QTY |
| <b>Kit #3001559<br/>Front Panel<br/>Assembly</b> | 1               | 160         | 2 Position Switch                                | 2   |
|  | 2               | 109007657   | Front Panel Display Panel                        | 1   |
|  | 3               | 406         | LED Cable Assembly                               | 1   |
|  | *               | 405         | <b>freewatt</b> Serial Communication Kit         | 1   |
|  | *               | 407         | AC Power Switch Cable                            | 1   |
|  | *               | 403         | <b>freewatt</b> Furnace Power Cable              | 1   |
|  | *               | 400         | Relay Board Cable                                | 1   |
|  | Mounting Screws |             |  |     |
|  | *               | 174         | Screw, Phillips, #6 x 5/16" Type B, Self Tapping | 4   |
|  | *               | 362         | Hardware Connection Kit                          | 1   |
| * Not Shown                                      |                 |             |  |     |

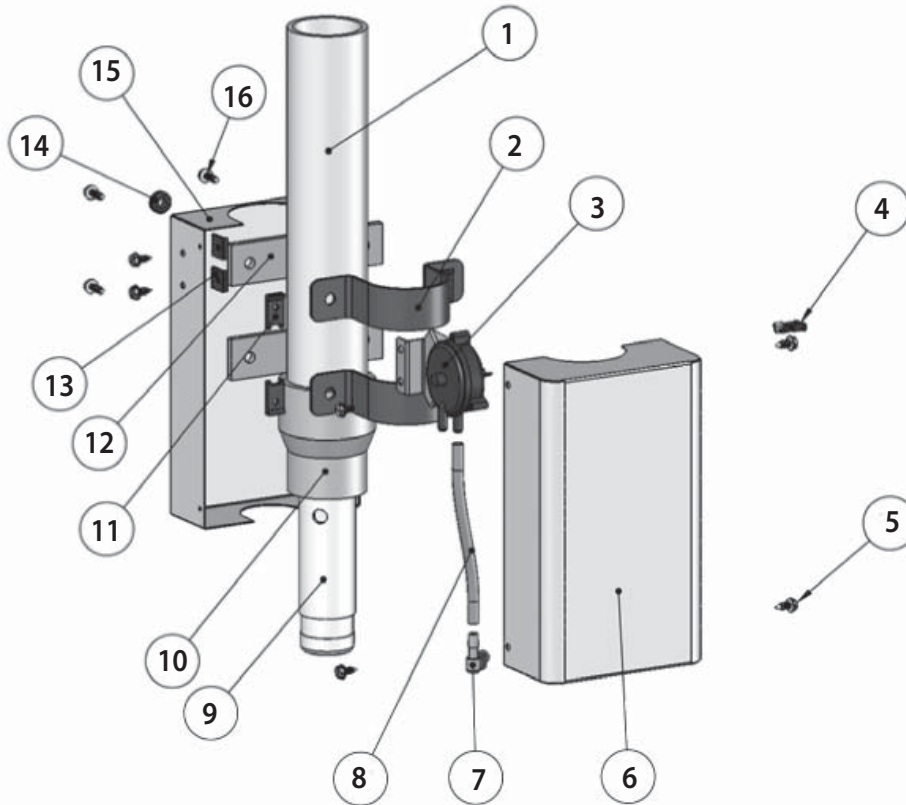


| freewatt Control Board Assembly Parts |                                   |      |
|---------------------------------------|-----------------------------------|------|
| Part Number                           | Description                       | QTY. |
| 172                                   | freewatt Control Board Assembly   | 1    |
| 364                                   | Nylon Nut                         | 2    |
| 348                                   | Ring Terminal, 16-14 AWG, #8 Stud | 1    |
| 179                                   | Ground Wire, 14 Gauge             | 1    |
| 240007790                             | Furnace Control Cable             | 1    |
| 705                                   | MCHP Communication Cable          | 1    |



| Exhaust, MCHP, freewatt WAZ, Kit #283 |      |                |   |     |
|---------------------------------------|------|----------------|---|-----|
| Kit #283<br>Exhaust,<br>MCHP          | Item | Part<br>Number | Description                             | QTY |
|                                       | 1    | 240            | Worm Gear Clamp, 12/16" - 1-3/4", 301SS | 2   |
|                                       | 2    | 149            | Flexible Exhaust Hose                   | 1   |

freewatt MODEL WAZ - REPAIR PARTS



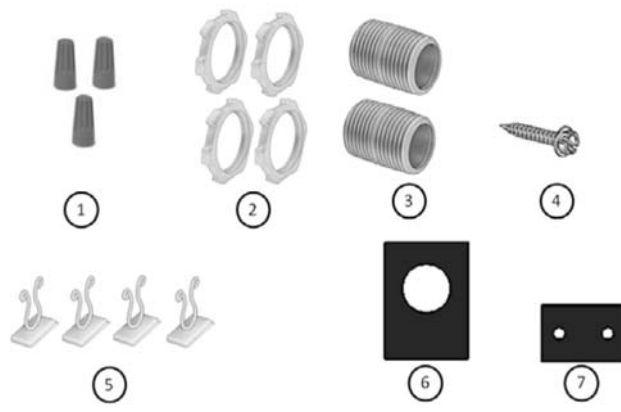
| freewatt WAZ/HDZ, Pressure Switch Assembly        |      |             |   |       |
|---|------|-------------|---|-------|
|   | Item | Part Number | Description                                     | QTY.  |
| Kit<br>#3001573<br>Pressure<br>Switch<br>Assembly | 1    | 415         | PVC Pipe, Schedule 40, 2" x 12"                 | 1     |
|   | 2    | 381         | Clamp, 2-3/8" ID, 2 Hole                        | 2     |
|   | 3    | 394         | Pressure Switch                                 | 1     |
|   | 4    | 418         | Spade Terminal, 1/4", 22-18AWG, Insulated       | 2     |
|   | 5    | 14695074    | Slotted Screw, 10 x 1/2, Type AB                | 6     |
|   | 6    | 109007716   | Pressure Switch Cover                           | 1     |
|   | 7    | 157         | Brass Elbow, 1'8" MNPT x 1/4" Barb              | 1     |
|   | 8    | 142         | Silicone Tubing, 3/16" ID x 5/16" OD            | 0.5FT |
|   | 9    | 154         | Exhaust Pipe, 6"                                | 1     |
|   | 10   | 147         | PVC Coupling, 2" x 1-1/4"                       | 1     |
|   | 11   | 419         | Speed Nut, #8, 5/8 OFFSET                       | 4     |
|   | 12   | 416         | PVC Spacer                                      | 2     |
|   | 13   | 420         | Speed Nut, #10, 1/4 OFFSET                      | 2     |
|   | 14   | 421         | Rubber Grommet, 5/16" ID x 1/2" OD, 1/16" Thick | 1     |
|   | 15   | 109007715   | Pressure Switch Base                            | 1     |
|   | 16   | 123         | Slotted Screw, #10 x 3/4, Type AB               | 4     |
|   | *    | 417         | 22 Gauge, 2 Conductor Wire                      | 20 FT |

\* Not Shown

**freewatt MODEL WAZ - REPAIR PARTS**



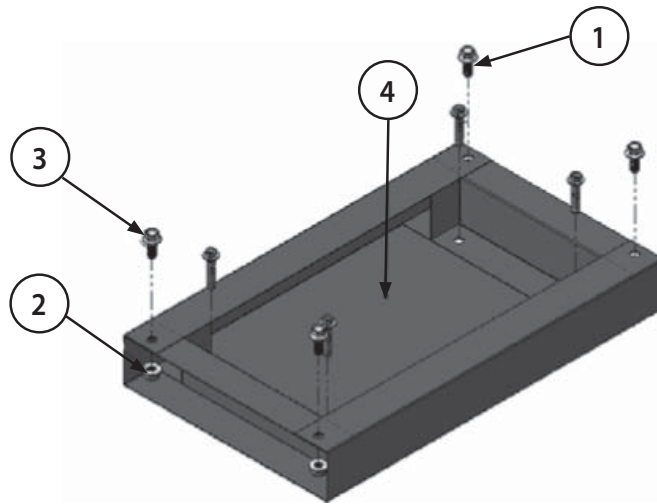
| RC-1000 Thermostat Replacement |                         |     |
|--------------------------------|-------------------------|-----|
| Part Number                    | Description             | QTY |
| 240007731                      | RC1000WH-ECR Thermostat | 1   |



| Common Integration Parts          |      |             |   |         |
|-----------------------------------|------|-------------|---|---------|
|                                   | Item | Part Number | Description                                   | QTY.    |
|                                   | *    | 494         | Plastic Elbow, 1/2" CTS x 1/2" Barb           | 1       |
|                                   | *    | 135         | Collet Clip                                   | 2       |
|                                   | *    | 248         | Selftite Hose Clamp, 1/2"                     | 4       |
|                                   | *    | 247         | Onix Tubing, 1/2" ID                          | 16 FT   |
|                                   | *    | 374         | Onix Tubing, 11-1/2"                          | 1       |
|                                   | *    | 375         | Onix Tubing 19-1/2"                           | 1       |
|                                   | *    | 14695074    | Slotted Screw, 10 x 1/2, Type AB              | 4       |
|                                   | *    | 295         | Tube, 1/2" OD. 15/16 THD, 1/2" FIP x 1/2" FIP | 1       |
|                                   | *    | 177         | Screw, #8 x 1/2", Type B. Slotted             | 7       |
| freewatt WA, Integration Kit #275 |      |             |   |         |
| Kit #275<br>WA<br>Integration     | 1    | 1130001     | Wire Nuts                                     | 3       |
|                                   | 2    | 291         | Conduit Lock Nut, 1/2"                        | 4       |
|                                   | 3    | 473         | Conduit Nipple, 1/2"                          | 2       |
|                                   | 4    | 143         | Screw, #10 x 3/4, Self Tapping, Slotted       | 1       |
|                                   | 5    | 254         | Nylon Wire Tie                                | 3       |
|                                   | 6    | 113         | Front Aircoil Bracket                         | 1       |
|                                   | 7    | 114         | Rear freewatt Mounting Bracket                | 2       |
|                                   | *    | 367         | Foam, 1/4" x 1/2"                             | 6.58 FT |

\* Not Shown

**freewatt MODEL WAZ - REPAIR PARTS**



| MCHP Base Assembly Kit - #550002122 (includes all items listed below) |                                 |      |                                     |  |   |
|---|---------------------------------|------|-------------------------------------|--|---|
| Kit #550002122 Base Assembly  | Kit #273 MCHP Hardware Base Kit | Item | Part Number                         | Description                                    |   |
|   |                                 | 1    | 284                                 | Anchor Sleeve, 3/8" x 1-7/8", 5/16-18 Threaded | 4 |
|   |                                 | 2    | 281                                 | Lock Nut, 7/16-14                              | 4 |
|   | 3                               | 282  | Bolt, 7/16-14 x 1", FLG HH, Grade 8 | 4  |   |
|   | 4                               | 279  | <b>freewatt</b> MCHP Base Assembly  | 1  |   |

| freewatt MCHP, WAZ, Cooling Tubing Kit #550002085 (not shown), |             |  |      |
|--|-------------|--|------|
| Kit #50002085 freewatt MCHP Cooling Tubing                     | Part Number | Description                                      | QTY. |
|  | 246         | Barb fitting, 1/2" MNPT x 1/2"                   | 2    |
|  | 245         | Elbow, 1/2" Brass                                | 1    |
|  | 422         | Nylon Wye Fitting 1/2" Barb                      | 1    |
|  | 135         | Collet Clip                                      | 1    |
|  | 138         | Plastic Barb, 1/2" CTS x 1/2" Barb               | 1    |
|  | 248         | Selftite Hose Clamp, 1/2"                        | 4    |
|  | 383         | Nylon Clamp, 1/4" OD, Single Hole                | 1    |
|  | 464         | Rubber Grommet, 5/8" ID x 1-1/8" OD, 1/16" Thick | 1    |
|  | 626         | Tee, 1/2" Barbed, Nylon                          | 1    |
|  | 240008038   | Ball valve Tee, 1/2" IPS, Brass                  | 1    |
|  | 721         | Street 90, 1/2" MNPT x 1/2" FNPT, Brass          | 1    |



## freewatt MODEL WAZ - REPAIR PARTS

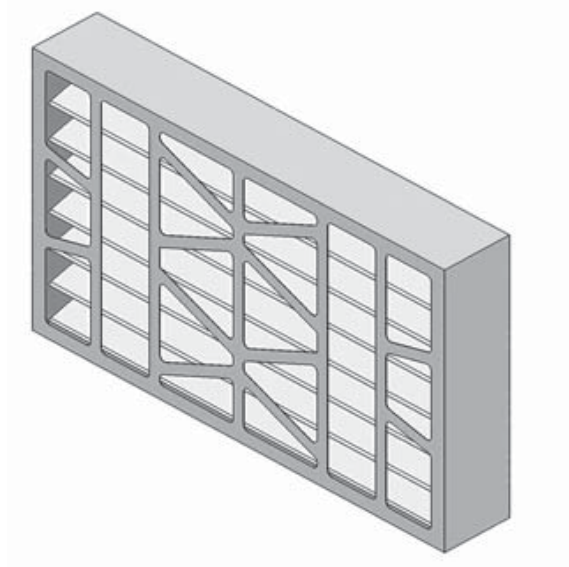
| Two Stage freewatt WAZ, Literature Document Kit #827, (not shown) |             |  |      |
|---|-------------|--|------|
| Kit #827<br>2 Stage<br>freewatt<br>WAZ<br>Literature<br>Document  | Part Number | Description  | QTY. |
|   | 240007608   | WAZ <b>freewatt</b> Installation, Operation & Maintenance Manual | 1    |
|   | 240007617   | WAZ <b>freewatt</b> User's Information Manual                    | 1    |
|   | 240007981   | WAZ <b>freewatt</b> Limited Warranty                             | 1    |
|   | 240007618   | <b>freewatt</b> Extended Warranty/Terms and Conditions           | 1    |
|   | 240008088   | WAZ <b>freewatt</b> Repair Parts                                 | 1    |

| Exhaust Gas Sensor (not shown) |                          |      |
|--------------------------------|--------------------------|------|
| Part Number                    | Description              | QTY. |
| 287                            | Carbon Monoxide Detector | 1    |

| Outdoor Sensor, (not shown) |                |      |
|-----------------------------|----------------|------|
| Part Number                 | Description    | QTY. |
| 288                         | Outdoor Sensor | 1    |

## freewatt MODEL WAZ - ACCESSORIES

| Condensate Pump - Lower Power Consumption, (not shown) |                           |      |
|--|---------------------------|------|
| Part Number  | Description               | QTY. |
| 240007793  | Laing TP1 Condensate Pump | 1    |

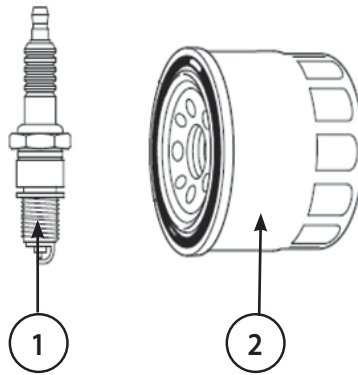


| Replacement Air Filters |                                      |      |
|-------------------------|--------------------------------------|------|
| Part Number             | Description                          | QTY. |
| 550002032               | MERV8 Replacement Air Filter 3 Pack  | 1    |
| 550002033               | MERV8 Replacement Air Filter 6 Pack  | 1    |
| 550002051               | MERV14 Replacement Air Filter 3 Pack | 1    |

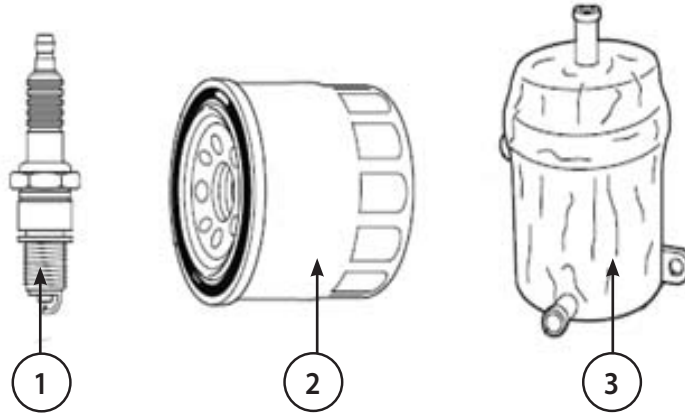
| Honda MCHP Shop Manual, (not shown) |                            |      |
|-------------------------------------|----------------------------|------|
| Part Number                         | Description                | QTY. |
| 61YM200                             | Honda MCHP1.2U Shop Manual | 1    |

| MCHP, Honda Coolant Kit # 3001566, (not shown)   |   |      |
|--|---|------|
| Part Number  | Description                                 | QTY. |
| 222  | MCHP Coolant, 4 Liters, Honda08CLA-H9914ZA8 | 2    |
| <b>Note:</b> Item 222 is not sold individually, MCHP coolant is only available in coolant kit #3001566, which includes two (2) 4 Liter cans. |   |      |

**freewatt MODEL WAZ - PERIODIC MAINTENANCE**



| freewatt MCHP, YM2 (A, Z & J), 6K/18K Hr Service Kit #550002024 |      |             |                                |      |
|---|------|-------------|--------------------------------|------|
| Service Kit<br>#550002024<br>freewatt<br>MCHP<br>6K/18K Hour    | Item | Part Number | Description                    | QTY. |
|   | 1    | 240007667   | MCHP Spark Plug                | 1    |
|   | 2    | 240007665   | MCHP Oil Filter                | 1    |
|   | *    | 221         | MCHP Oil 4 Liters              | 1    |
|   | *    | 240007672   | 12mm Crush Washer              | 1    |
|   | *    | 240007697   | MCHP Oil Literature            | 1    |
|   | *    | 240007668   | MCHP Head Cover Gasket         | 1    |
|   | *    | 240008862   | MCHP1.2U Model Instructions    | 1    |
|   | *    | 240008879   | MCHP1.2D/DP Model Instructions | 1    |
| * Not Shown   |      |             |                                |      |



| freewatt MCHP, YM2 (A, Z & J), 12K Hr Service Kit #550002045 |      |             |                                   |      |
|--|------|-------------|-----------------------------------|------|
| Service Kit<br>#550002045<br>freewatt<br>MCHP<br>12K Hour    | Item | Part Number | Description                       | QTY. |
|  | 1    | 240007667   | MCHP Spark Plug                   | 1    |
|  | 2    | 240007665   | MCHP Oil Filter                   | 1    |
|  | 3    | 240007809   | MCHP Crankcase Breather Separator | 1    |
|  | *    | 221         | MCHP Oil 4 Liters                 | 1    |
|  | *    | 240007672   | 12mm Crush Washer                 | 1    |
|  | *    | 240007697   | MCHP Oil Literature               | 1    |
|  | *    | 240007668   | MCHP Head Cover Gasket            | 1    |
|  | *    | 240007815   | MCHP Crankcase Breather Tube      | 1    |
|  | *    | 240008862   | MCHP1.2U Model Instructions       | 1    |
|  | *    | 240008879   | MCHP1.2D/DP Model Instructions    | 1    |
| * Not Shown  |      |             |                                   |      |

# freewatt®



P.O. Box 4729  
Utica, NY 13504-4729  
[www.freewatt.com](http://www.freewatt.com)  
[www.ecrinternational.com](http://www.ecrinternational.com)