

**freewatt®**

**HYDRONIC  
freewatt SYSTEM  
Model HDZ**

**PARTS, KITS &  
OPTIONAL  
ACCESSORIES**



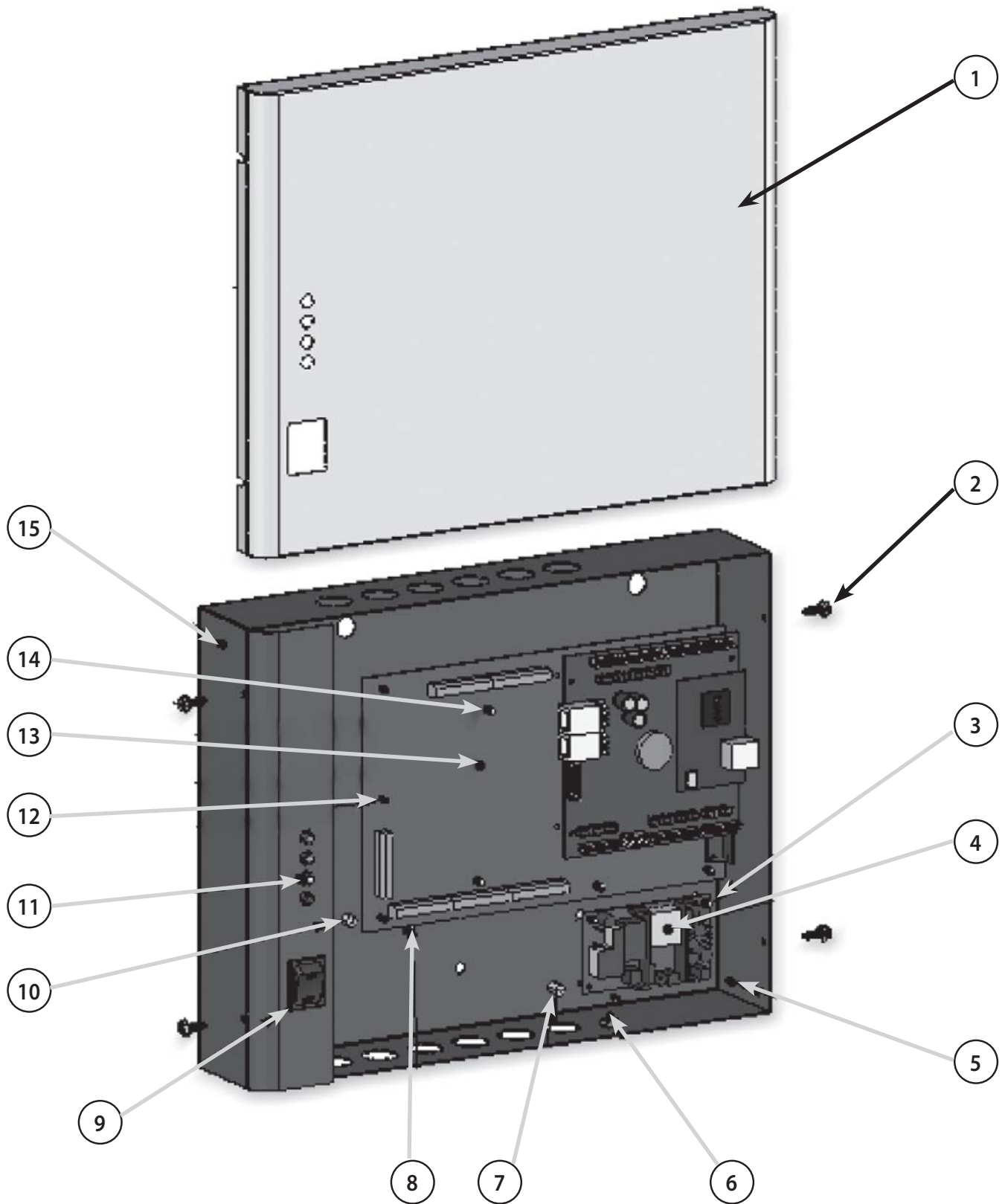
An ISO 9001-2008 Certified Company  
ECR International, Inc.  
2201 Dwyer Ave.  
Utica, NY 13501



Information and specifications in the manual were in effect at time of printing of this manual. ECR International reserves the right to discontinue, change specifications or system design at any time without notice and without incurring any obligation, whatsoever.

P/N# 240008089, Rev. D [04/2011]

Check our website frequently for updates: [www.freewatt.com](http://www.freewatt.com) [www.ecrinternational.com](http://www.ecrinternational.com)



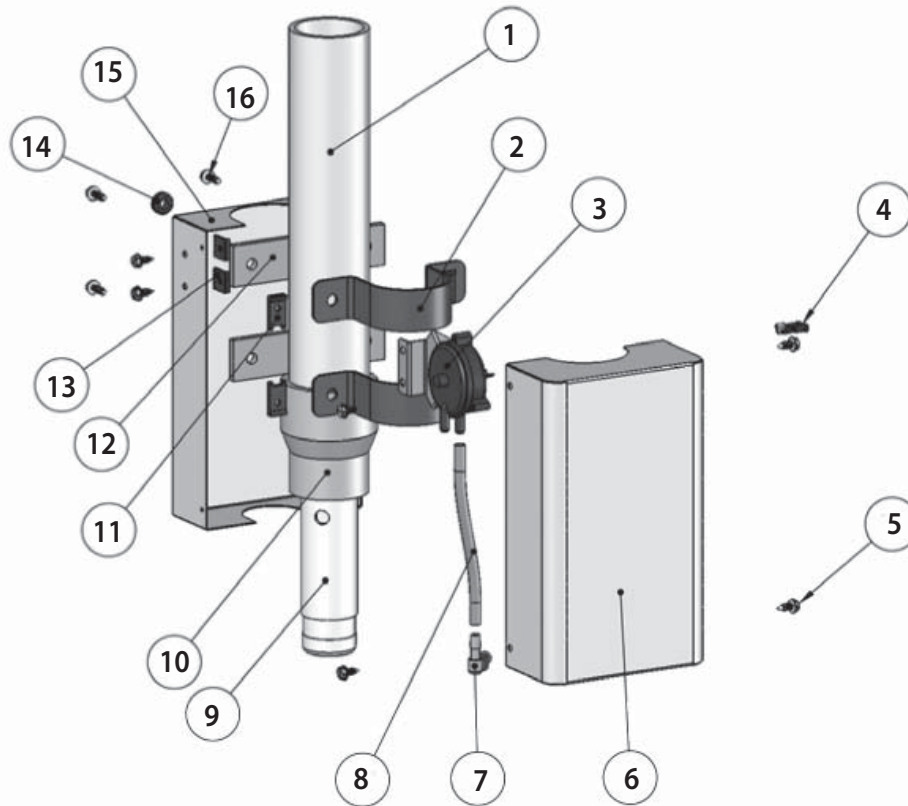
## Hydronic freewatt MODEL HDZ - REPAIR PARTS

freewatt Hydronic Control Module Assembly, Kit #513				
KIT #513 Hydronic Control Module Assembly	Item	Part Number	Description	QTY.
	1	373	Sheet Metal Cover	1
	2	14695307	Screw, 10 - 32 x 1/2	4
	3	660	Aluminum Standoff, #6-32 x 1/4"	1
	4	656	Power Supply, 12VDC, 20W	1
	5	659	Hex Nut, #6-32	1
	6	664	Standoff, 3/8", Snap Lock	2
	7	663	Nut, #10-32	1
	8	160	Switch, 2 Position	1
	9	668	Screw, #4-40 x 3-16"	2
	10	658	PC Board Standoff, 1/4"	5
	11	406	LED Cable Assembly	1
	12	657	Standoff, 1/4" Snap Lock	2
	13	629	Hydronic Control Board	1
	14	662	Standoff, #4 - 40 x 3/8"	2
	15	710	Back Panel Assembly	1
	*	703	Hydronic Control Module Harness	1
	*	702	Ground Cable	1
	*	700	AC Power Harness	1
	*	240007684	ECR Label	1
*	14691002	Nylon Tie, 4"	1	
*	240007766	PC Diagnostic Label	1	
*	240007765	Internet Label	1	
*	240007764	MCHP Label	1	

\* Not Shown



Exhaust, MCHP, freewatt WAZ, Kit #283				
Kit #283 Exhaust, MCHP	Item	Part Number	Description	QTY.
	1	240	Worm Gear Clamp, 12/16" - 1-3/4", 301SS	2
	2	149	Flexible Exhaust Hose	1

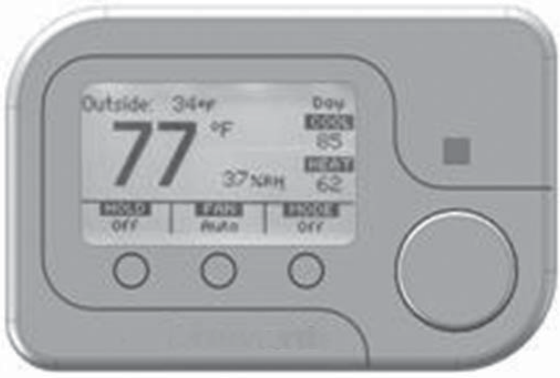


freewatt WAZ/HDZ, Pressure Switch Assembly

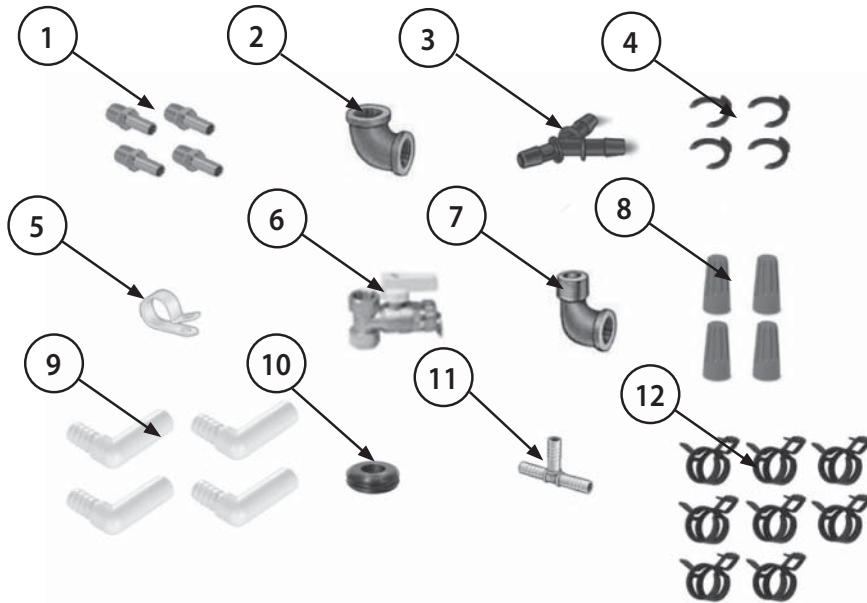
	Item	Part Number	Description	QTY.
Kit #3001573 Pressure Switch Assembly	1	415	PVC Pipe, Schedule 40, 2" x 12"	1
	2	381	Clamp, 2-3/8" ID, 2 Hole	2
	3	394	Pressure Switch	1
	4	418	Spade Terminal, 1/4", 22-18AWG, Insulated	2
	5	14695074	Slotted Screw, 10 x 1/2, Type AB	6
	6	109007716	Pressure Switch Cover	1
	7	157	Brass Elbow, 1'8" MNPT x 1/4" Barb	1
	8	142	Silicone Tubing, 3/16" ID x 5/16" OD	0.5 FT
	9	154	Exhaust Pipe, 6"	1
	10	147	PVC Coupling, 2" x 1-1/4"	1
	11	419	Speed Nut, #8, 5/8 OFFSET	4
	12	416	PVC Spacer	2
	13	420	Speed Nut, #10, 1/4 OFFSET	2
	14	421	Rubber Grommet, 5/16" ID x 1/2" OD, 1/16" Thick	1
	15	109007715	Pressure Switch Base	1
	16	123	Slotted Screw, #10 x 3/4, Type AB	4
	*	417	22 Gauge, 2 Conductor Wire	20 FT

\* Not Shown

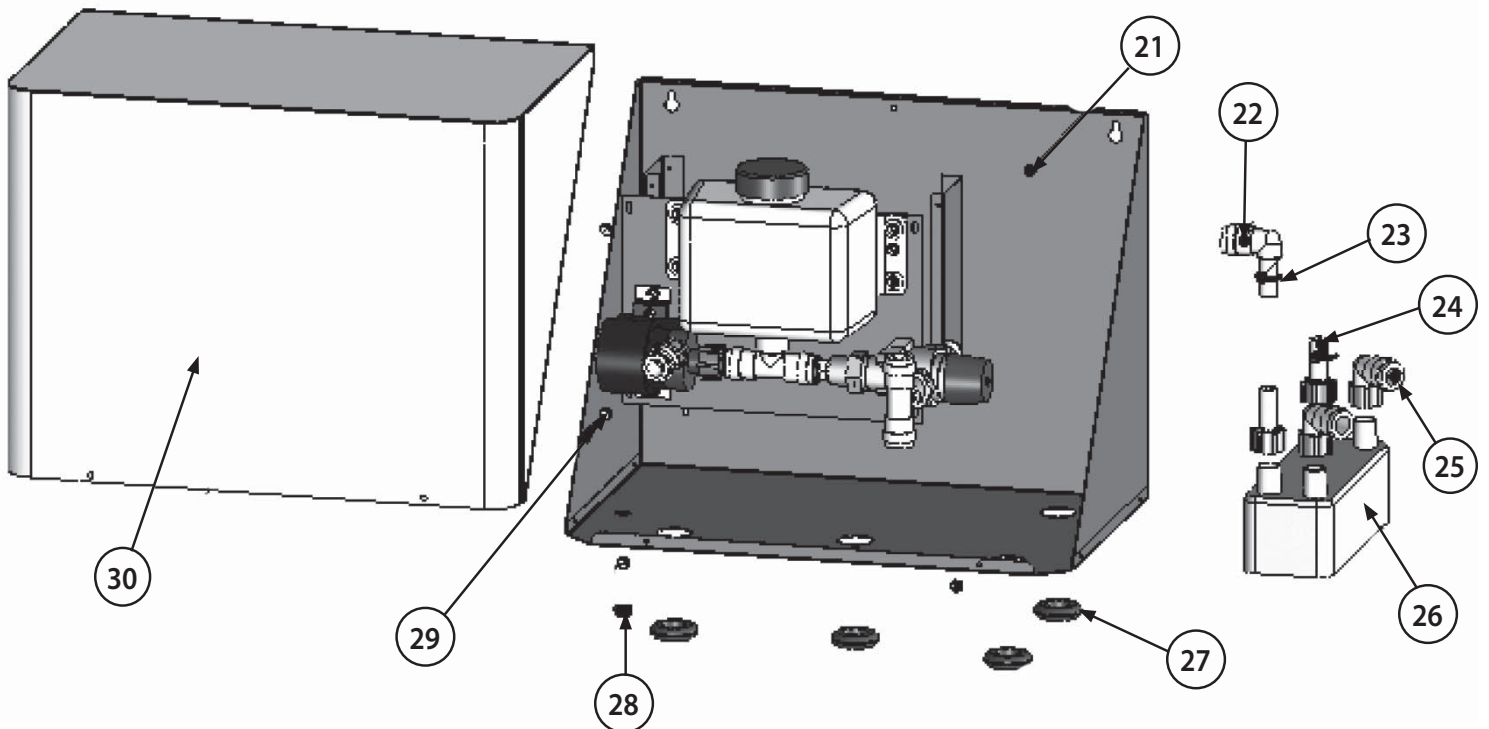
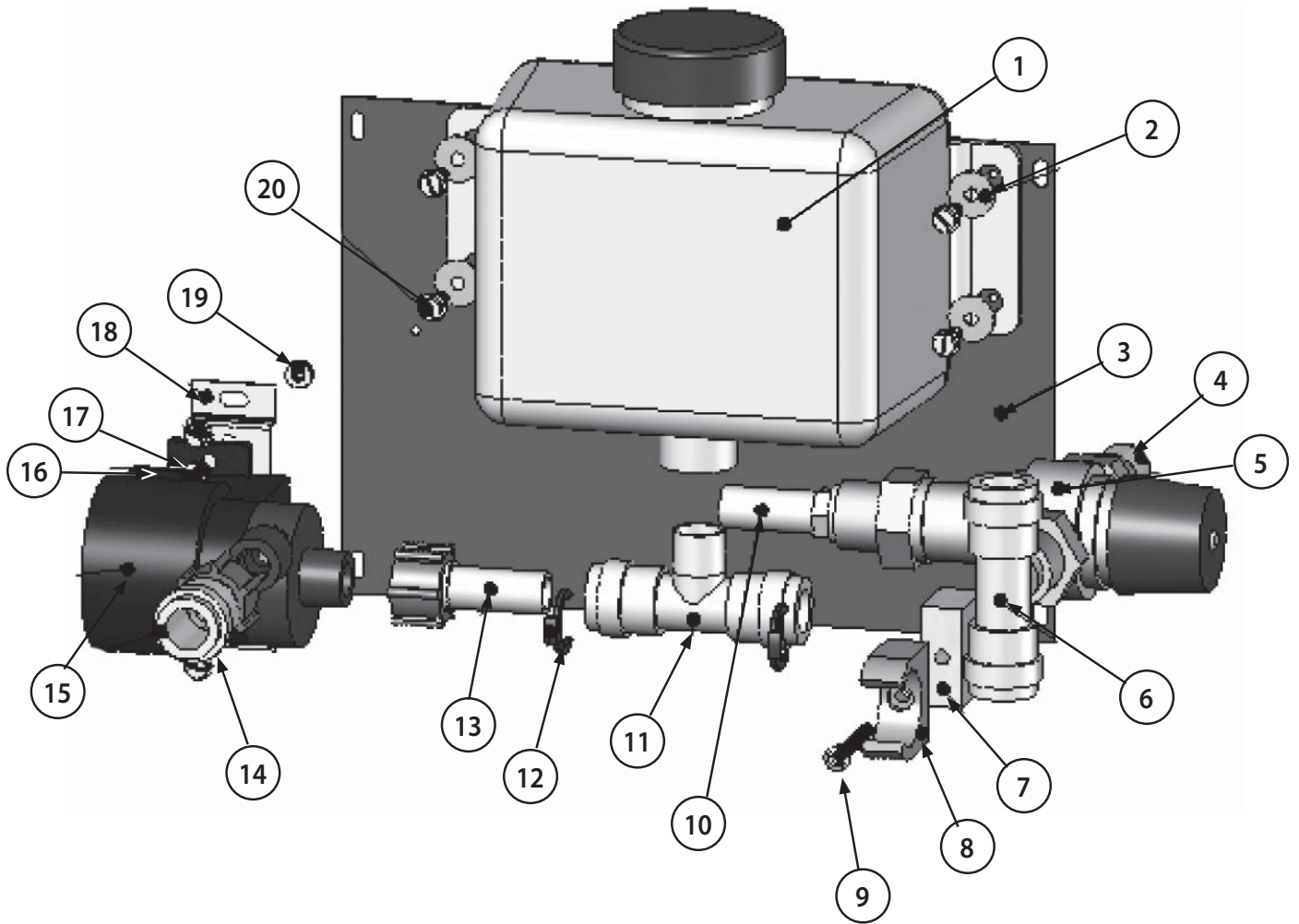
Hydronic freewatt MODEL HDZ - REPAIR PARTS



RC-1000 Thermostat Replacement		
Part Number	Description	QTY
240007731	RC1000WH-ECR Thermostat	1



freewatt Hydronic Hybrid System, Cooling System Kit #711				
Kit #711 Cooling System	Item	Part Number	Description	QTY.
	1	246	Barb Fitting, 1/2" MNPT x 1/2"	4
	2	245	Elbow, 1/2" Brass	1
	3	422	Nylon Wye Fitting, 1/2" Barb	1
	4	135	Collet Clip	4
	5	383	Nylon Clamp, 1/4" OD, Single Hole	1
	6	720	Ball Valve Tee, 1/2" IPS, Brass	1
	7	721	Street 90, 1/2" MNPT x 1/2" FNPT, Brass	1
	8	809	Wire Nuts, 22-16 AWG	4
	9	494	Plastic Elbow, 1/2" CTS x 1/2" Barb	4
	10	464	Rubber Grommet, 5/8" ID x 1-1/8" OD, 1/16" Thick	1
	11	626	Tee, 1/2" Barbed, Nylon	1
	12	248	Selftite Hose Clamp, 1/2"	8



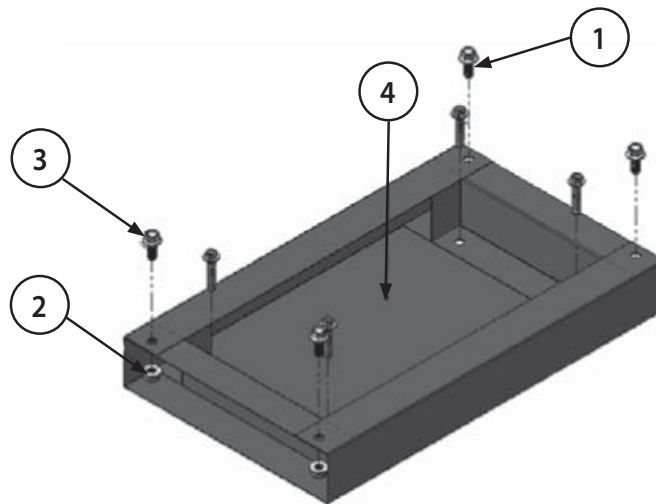
## Hydronic freewatt MODEL HDZ - REPAIR PARTS

freewatt Hydronic Hybrid Integrated Module								
			Item	Part Number	Description	QTY.		
			<b>Kit #483 Hybrid Mechanical Assembly Includes kit #3001577</b>	<b>Kit #493 Hybrid Integrated Module Includes Kits #483 and #3001577 and all items 21- 31 and below</b>		1	124	2 Qt. Coolant Tank ( Includes Cap and Gasket)
	2	131			Washer, #10 x .685" OD	4		
	3	352			Pump Plate	1		
	7	139			Plastic Mixing Valve Spacer	1		
	8	130			Mixing Valve Clamp	1		
	9	123			Screw, #10 x 3/4, Type AB	4		
	11	132			Tee, 1/2" Male NPT x 1/2" CTS x 1/2" CTS	1		
	12	135			Collet Clip	2		
	13	484			Plastic Female Stem, 1/2" CTS x 1/2" FNPT	1		
	14	631			Plastic Female Swivel, 1/2" FCTS x 1/2" FNPT	1		
	15	708			Hydronic Pump Assembly	1		
	16	486			Screw, #10-32 x 3/8"	2		
	17	14695074			Screw, 10 x 1/2", Type AB	6		
	18	354			Pump Spacer	1		
	19	485			Lock Nut, #10-32	2		
	20	136			Screw, #10 x 1-3/4"	1		
	*	701			DC Pump Harness	1		
	*	377			freewatt Tank Label	1		
<b>freewatt WDJ/HDZ Mixing Valve Assembly</b>								
	<b>Kit #3001577 Mixing Valve Assembly</b>				4	480	Plastic Elbow, 1/2" CTS x 1/2" NPT	1
			5	240007955	Mixing Valve	1		
			6	132	Plastic Tee 1/2" Male NPT x 1/2" CTS	1		
			10	630	Plastic Male Stem, 1/2" CTS x 1/2" MNPT	1		
<b>All Items below included in Kit #493</b>								
			21	713	Sheet Metal Base	1		
			22	240007824	Plastic Stackable Elbow 1/2" CTS x 1/2" OD	1		
			23	135	Collet Clip	3		
			24	484	Plastic Female Stem, 1/2" CTS x 1/2" FNPT	2		
			25	134	Swivel Elbow, 1/2" NPS Female 1/2" CTS	2		
			26	488	Heat Exchanger	1		
			27	495	Rubber Grommet, 7/8" ID x1- 5/8" OD, 1/16" Thick	4		
			28	421	Rubber Grommet, 5/16" ID x 1/2" OD, 1/16" Thick	1		
			29	14695307	Screw, 10 -32 x 1/2	2		
			30	14695074	Screw, 10 x 1/2, Type AB	4		
			31	356	Sheet Metal Cover	1		
			*	240007683	ECR freewatt Label	1		

\* Not Shown

## Hydronic freewatt MODEL HDZ - REPAIR PARTS

Hydronic HI Module Integration Parts		
Part Number	Description	QTY.
247	Onix Tubing	25 FT
295	Threaded Tube, 1/2" Id, 15/16-16D, 1/2" FIP x 1/2" FIP	1
Z216 FW	ARM-6P Pump Controller/Switching Relay	1
Z140 FW	AR822-II Pump Controller/Switching Relay	1
705	YM2Z Communication Harness	1
Z298 FW	AZ-6CP Zone Valve Controller	1
Z180 FW	ARH-3 Air Handler Controller	1



MCHP Base Assembly Kit - #550002122 (includes all items listed below)					
Kit #550002122 Base Assembly	Kit 273 MCHP Hardware Base Kit	Item	Part Number	Description	QTY.
		1	284	Anchor Sleeve, 3/8" x x 1-7/8", 5/16-18 Threaded	4
		2	281	Lock Nut, 7/16-14	4
		3	282	Bolt, 7/16-14 x 1", FLG HH, Grade 8	4
		4	279	<b>freewatt</b> MCHP Base Assembly	1

freewatt HDZ , Literature Document Kit #3001561, (not shown)			
Kit #3001561 freewatt HDZ Literature Document	Part Number	Description	QTY.
	240007604	<b>freewatt</b> HDZ Installation, Operation & Maintenance Manual	1
	240007616	<b>freewatt</b> HDZ User Information Manual	1
	240008219	<b>freewatt</b> HDZ Limited Warranty	1
	240007618	<b>freewatt</b> HDZ Extended Warranty/Terms and Conditions	1
	240008089	<b>freewatt</b> HDZ Repair Parts	1
	240008348	<b>freewatt</b> HDZ Commissioning Guide	1



## Hydronic freewatt MODEL HDZ - REPAIR PARTS

Exhaust Gas Sensor		
Part Number	Description	QTY.
287	Carbon Monoxide Detector	1

Outdoor Sensors, (not shown)		
Part Number	Description	QTY.
288	Tekmar Outdoor Sensor (Control Module)	1
240004804	Honeywell Outdoor Sensor (Boiler)	1

## freewatt MODEL HD-Z - ACCESSORIES

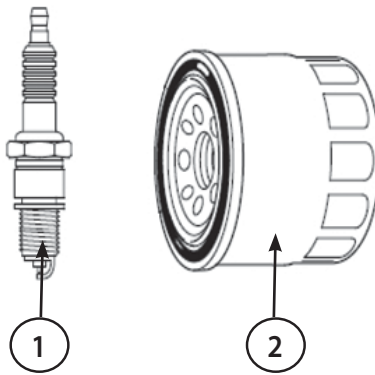
Condensate Pump - Lower Power Consumption, (not shown)		
Part Number	Description	QTY.
240007793	Laing TP1 Condensate Pump	1

## freewatt MODEL HD-Z - PERIODIC MAINTENANCE

Honda MCHP Shop Manual, (not shown)		
Part Number	Description	QTY.
61YM200	Honda MCHP1.2U Shop Manual	1

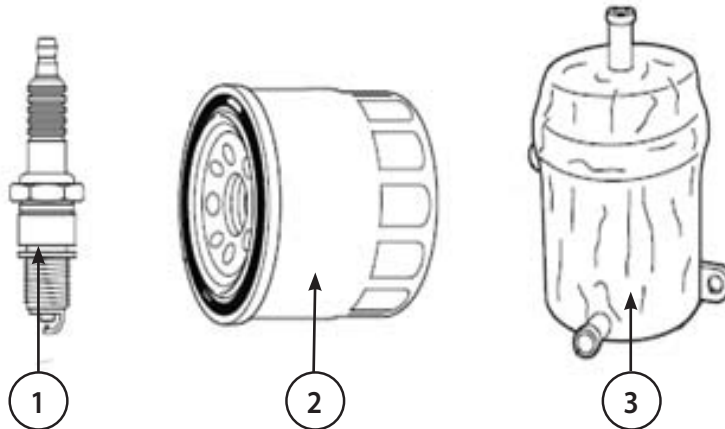
MCHP, Honda Coolant Kit #3001566, (not shown)		
Part Number	Description	QTY.
222	MCHP Coolant, 4 Liters, Honda08CLA-H9914ZA8	2
<p><b>Note:</b> Item 222 is not sold individually, MCHP coolant is only available in coolant kit#3001566, which includes two (2) 4 liter cans.</p>		

## freewatt Model HDZ - Periodic Maintenance



freewatt MCHP, YM2 (A, Z & J), 6K/18K Hr Service Kit #550002024				
Service Kit #550002024 freewatt MCHP 6K/18K Hour	Item	Part Number	Description	QTY.
	1	240007667	MCHP Spark Plug	1
	2	240007665	MCHP Oil Filter	1
	*	240007668	MCHP Head Cover Gasket	1
	*	221	MCHP Oil 4 Liters	1
	*	240007672	12mm Crush Washer	1
	*	240007697	MCHP Oil Literature	1
	*	240008862	MCHP1.2U Model Instructions	1
	*	240008879	MCHP1.2D/DP Models Instructions	1

\* Not Shown



freewatt MCHP, YM2 (A, Z & J), 12K Hr Service Kit #550002045				
Service Kit #550002045 freewatt MCHP 12K Hour	Item	Part Number	Description	QTY.
	1	240007667	MCHP Spark Plug	1
	2	240007665	MCHP Oil Filter	1
	3	240007809	MCHP Crankcase Breather Separator	1
	*	221	MCHP Oil 4 Liters	1
	*	240007672	12mm Crush Washer	1
	*	240007697	MCHP Oil Literature	1
	*	240007668	MCHP Head Cover Gasket	1
	*	240007815	MCHP Crankcase Breather Tube	1
	*	240008862	MCHP1.2U Model Instructions	1
	*	240008879	MCHP1.2D/DP Models Instructions	1

\* Not Shown



**freewatt®**



P.O. Box 4729  
Utica, NY 13504-4729

[www.freewatt.com](http://www.freewatt.com)  
[www.ecrinternational.com](http://www.ecrinternational.com)