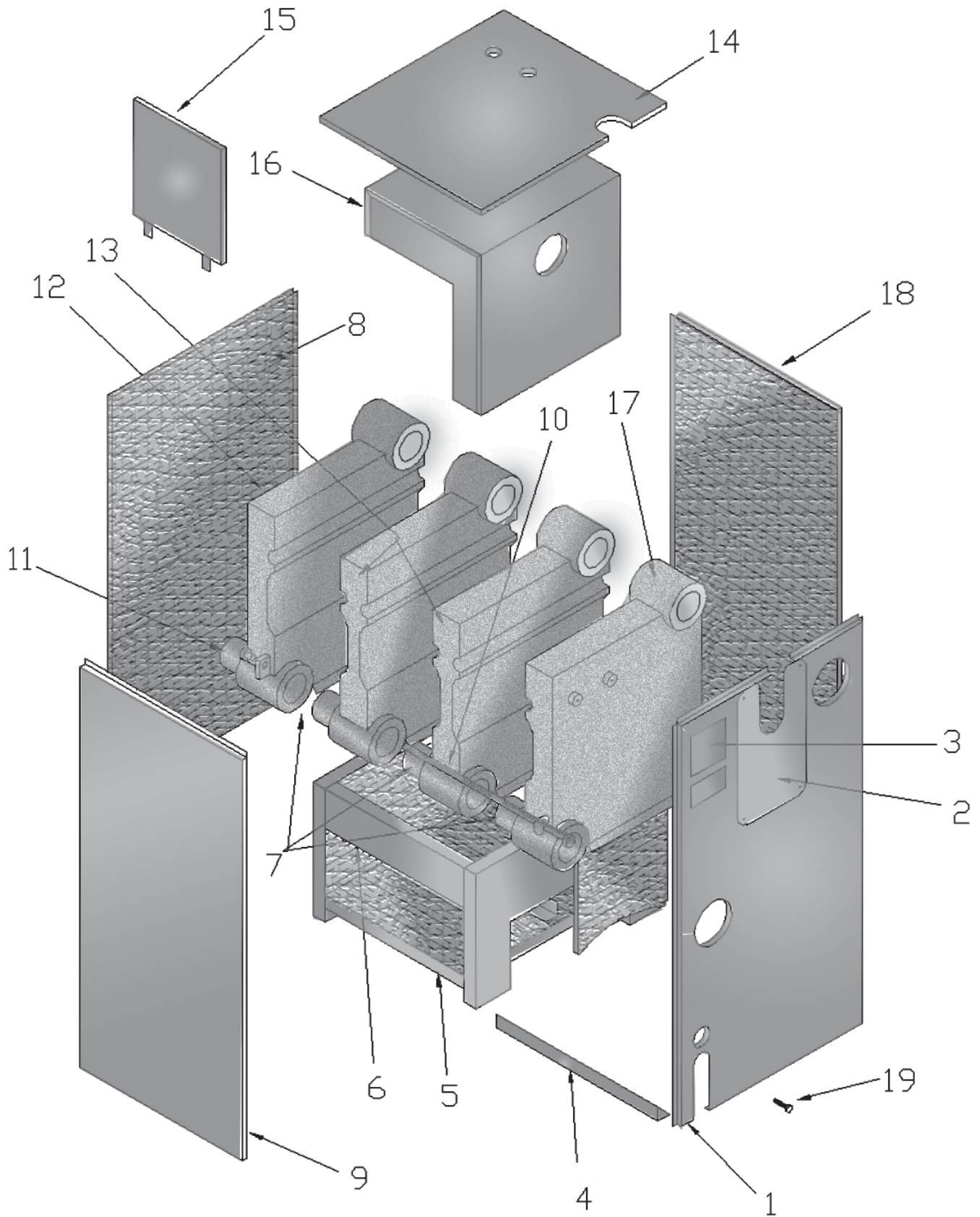


# Gas-Fired Hot Water Induced Draft Boilers

## **REPAIR PARTS & OPTIONAL KITS**



## Jacket Sections and Base Parts



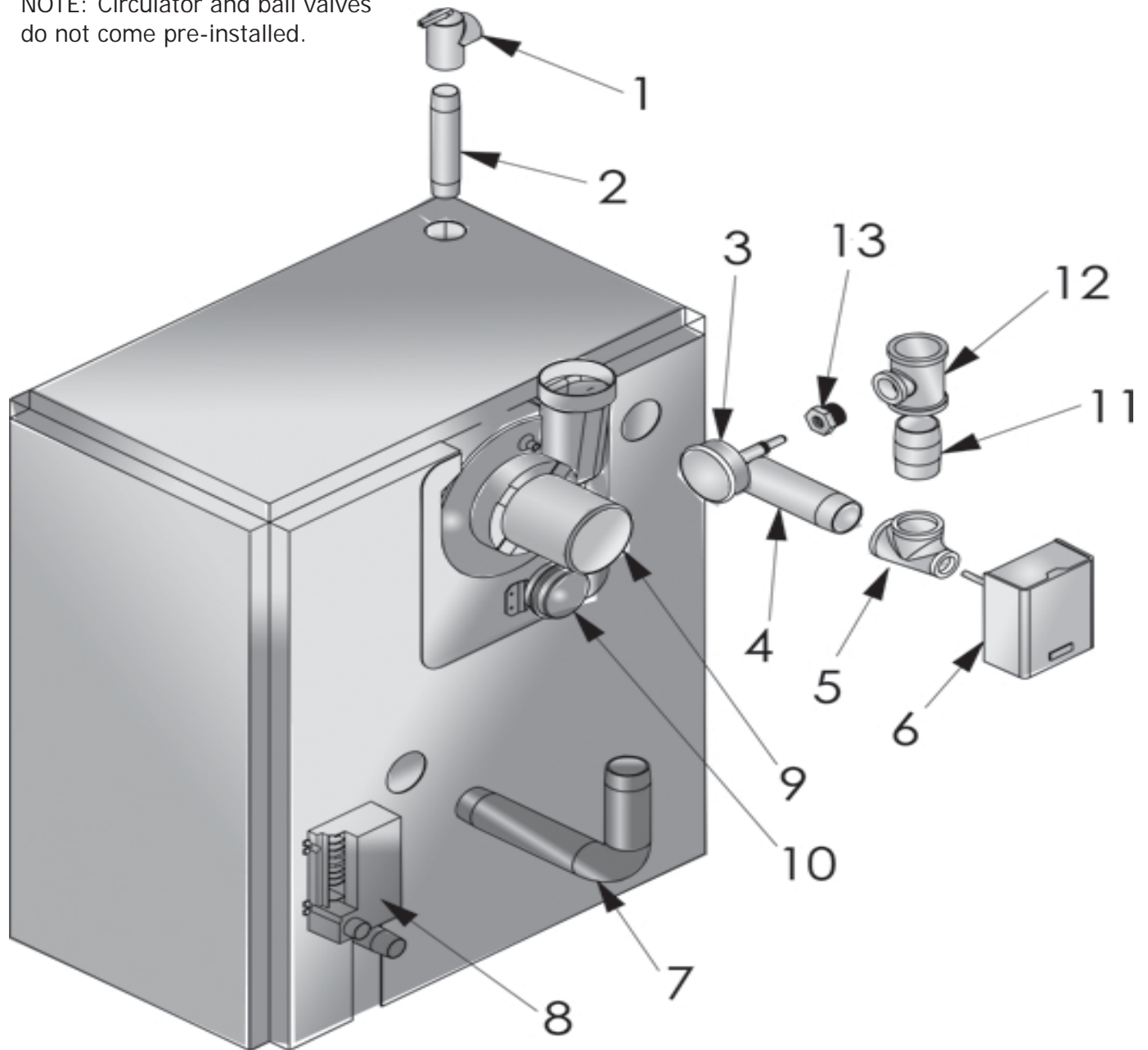
## Jacket Sections and Base Parts

KEY NO.	DESCRIPTION	PART NUMBERS FOR					
		2 Section	3 Section	4 Section	5 Section	6 Section	7 Section
1	Jacket, Right Side Panel	730001050	730001050	730001050	730001050	730001050	730001050
2	Blower Cover Plate	630001170	630001170	630001170	630001170	630001170	630001170
3	Rating Plate	240004760	240004760	240004760	240004760	240004760	240004760
4	Jacket Tie Bar	42500653	42500654	42500655	42500656	42500657	42500658
5	Boiler Base	42500733	42500734	42500735	42500736	42500737	42500738
6	Insulation, Base Side (2 Required)	14614020	14614020	14614020	14614020	14614020	14614020
6	Insulation, Base Front	14614112	14614113	14614114	14614115	14614116	14614117
6	Insulation, Base Rear	14614122	14614123	14614124	14614125	14614126	14614127
7	Nipple, Boiler	43300976	43300976	43300976	43300976	43300976	43300976
8	Jacket, Left Side Panel	730001040	730001040	730001040	730001040	730001040	730001040
9	Jacket, Front Panel	730001032	730001033	730001034	730001035	730001036	730001037
10	1/4" Tie Rod, (2 Required)	14605008	14605002	14605002	14605051	14605053	14605008
11	Nut & Washer	1330002	1330002	1330002	1330002	1330002	1330002
12	Section, Left End	41000019	41000019	41000019	41000019	41000019	41000019
13	Section, Intermediate		41001018	41001018	41001018	41001018	41001018
14	Jacket, Top Panel	730001012	730001013	730001014	730001015	730001016	730001017
15	Cleanout Plate(s) & Insulation	42501539	42501540	42501541	42501542	42501540 & 42501541	42501541 (x2)
16	Flue Collector	730003002	730003003	730003004	730003005	730003006	730003007
17	Section, Right End	41000017	41000017	41000017	41000017	41000017	41000017
18	Jacket, Back Panel	730001022	730001023	730001024	730001025	730001026	730001027
‡	Jacket, Complete	730001002	730001003	730001004	730001005	730001006	730001007
19	#10 x 1/2 Sheet Metal Screw	14695074	14695074	14695074	14695074	14695074	14695074
‡	Block Assembly (7,10,11,12,13,17))	41000212	41000312	41000412	41000512	41000612	41000712
‡	Combustible Floor Plate	14614031	14614031	14614031	14614031	14614032	14614032

‡ Not illustrated

## Boiler Controls and Piping Repair Parts

NOTE: Circulator and ball valves do not come pre-installed.



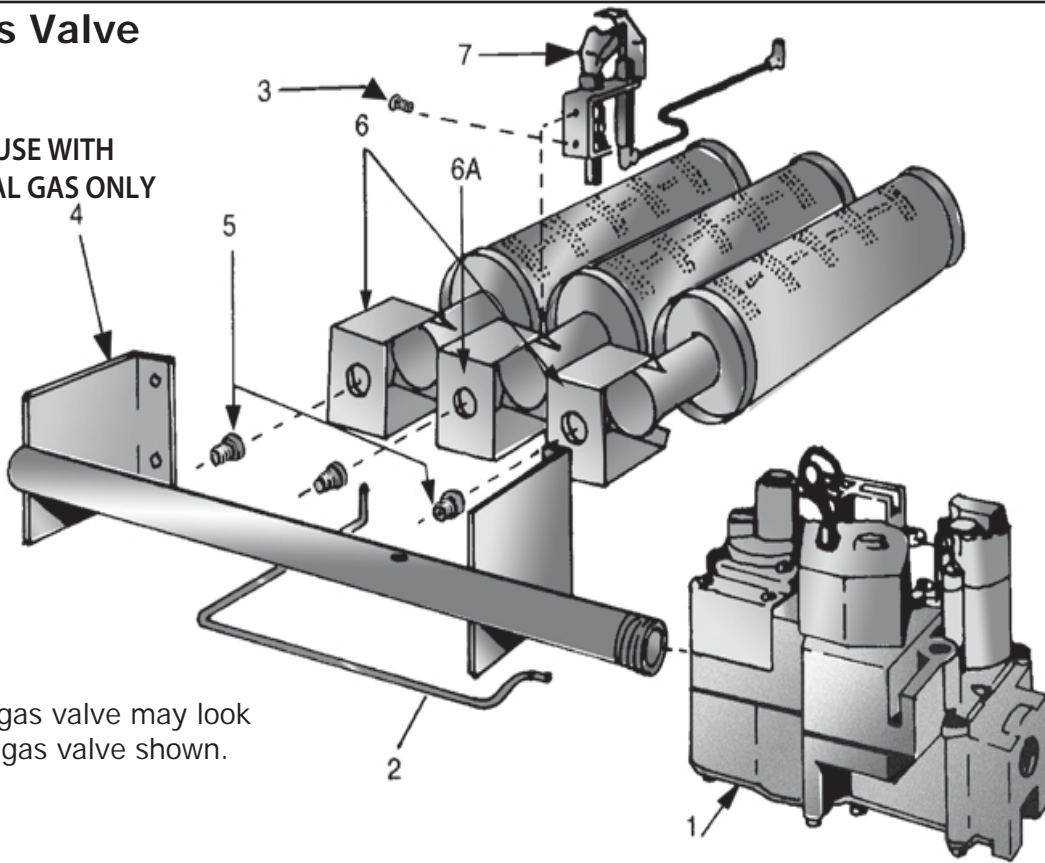
## Boiler Controls and Piping Repair Parts

<b>Key No.</b>	<b>Description</b>	<b>Part No.</b>
1	¾" ASME Relief Valve	14622011
2	¾" x 5½" Nipple	1310010
3	Temperature Pressure Gauge - (3½" Stem)	1260006SP
4	1¼" x 5½" Nipple	14607019
5	1¼" x ¾" x 1¼" Tee	1510001
6	L8148A Comb Hi Limit & Relay Control	43300521
7	1¼" Return Nipple	14607004
8	Intermittent Pilot Control	14662070
9	Induced Draft Blower and Gasket	2272159
10	Pressure Switch - 2,3,4,5, Section	14655006
	Pressure Switch - 6,7, Section	14655005
11	Nipple 1¼" x 2½"	14607044
12	Tee 1¼" x 1¼" x ¾"	PF05901
13	Bushing ¾" x ¼"	1060002
‡	Taco Pump 007	CI-001.03
‡	Isolation Ball Valve	14626038
‡	Rubber Tube (Blower to Pressure Switch)	1552014
‡	Rollout Switch	14629002
‡	1¼" x ¾" Bushing	1060003
‡	AT 140C 24 V. Transformer	14662080
‡	3" x 4" Increaser Fitting - Galvanized	14628012
‡	400°F Black Silicone Rubber Adhesive Sealant (10.1 oz. Cartridge)	240006837
‡	500°F Red Silicone Rubber Adhesive Sealant (10.3 oz. Cartridge)	240006502

‡ Not illustrated

# Natural Gas Valve

FOR USE WITH  
NATURAL GAS ONLY



NOTE: Actual gas valve may look different than gas valve shown.

NATURAL GAS BURNER & MANIFOLD PARTS

KEY NO.	DESCRIPTION	PART NUMBERS FOR					
		2 Section	3 Section	4 Section	5 Section	6 Section	7 Section
1	24 Volt Gas Valve, Natural Gas	14662052	14662052	14662052	14662052	14662058	14662058
2	Pilot Tube With Fitting	43300201	43300201	43300201	43300201	43300200	43300200
3	10-32 x 3/16" Slotted Hex Head Screws	14695301	14695301	14695301	14695301	14695301	14695301
4	Gas Manifold	14616042	14616043	14616044	14616045	14616024	14616025
5	Orifice -Natural Gas*	14615030	14615031	14615031	14615031	14615035	14615035
6	Main Burner Less Pilot Bracket**	- - -	14615532	14615532	14615532	14615532	14615532
6A	Main Burner with Pilot Bracket	14615531	14615531	14615531	14615531	14615531	14615531
7	Pilot Burner with Orifice, Natural Gas	14662100	14662092	14662092	14662092	14662092	14662092
‡	Rollout Shield	42500932	42500933	42500934	42500935	42500936	42500937

\*Requires 1 less than the number of sections.

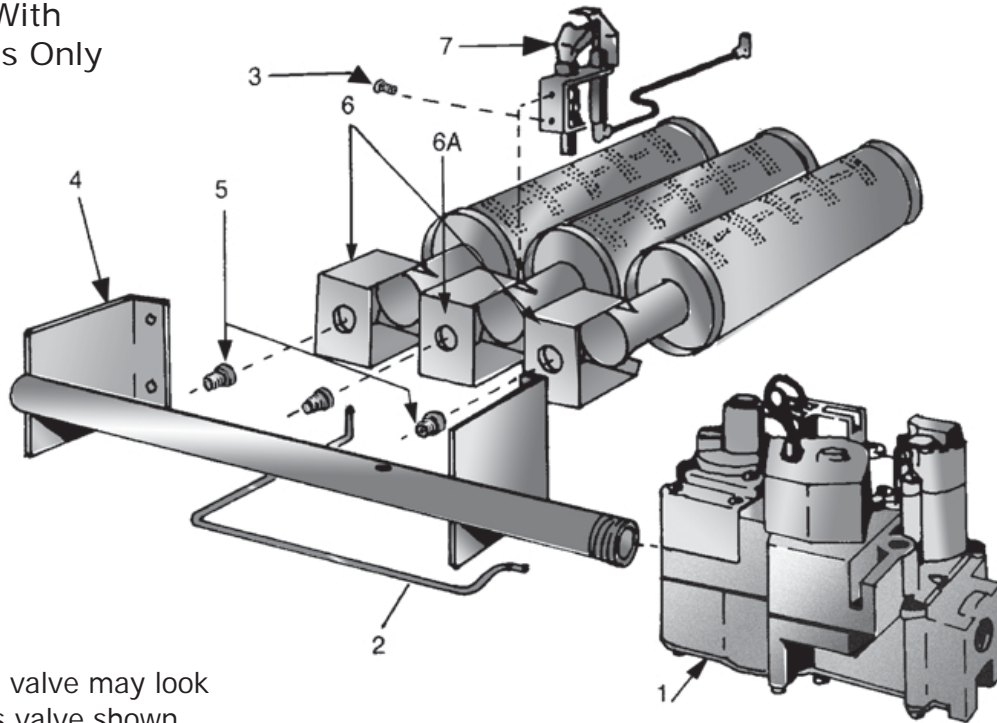
\*\*Requires 2 less than the number of sections.

‡ Not illustrated.

Quantity is 1 unless otherwise noted.

# Propane Gas Valve

For Use With  
Propane Gas Only



NOTE: Actual gas valve may look different than gas valve shown.

PROPANE GAS BURNER & MANIFOLD PARTS							
KEY NO.	DESCRIPTION	PART NUMBERS FOR					
		2 Section	3 Section	4 Section	5 Section	6 Section	7 Section
1	24 Volt Gas Valve, Propane Gas	14662062	14662062	14662062	14662062	14662059	14662059
2	Pilot Tube With Fitting	43300201	43300201	43300201	43300201	43300200	43300200
3	10-32 x 3/16" Slotted Hex Head Screws	14695301	14695301	14695301	14695301	14695301	14695301
4	Gas Manifold	14616020	14616021	14616022	14616023	14616024	14616025
5	Orifice-Propane Gas*	14615044	14615036	14615036	14615036	14615036	14615036
6	Main Burner Less Pilot Bracket**	---	14615532	14615532	14615532	14615532	14615532
6A	Main Burner with Pilot Bracket	14615531	14615531	14615531	14615531	14615531	14615531
7	Pilot Burner with Orifice, Propane Gas	14662093	14662094	14662094	14662094	14662094	14662094
‡	Rollout Shield	42500932	42500933	42500934	42500935	42500936	42500937

\*Requires 1 less than the number of sections.  
\*\*Requires 2 less than the number of sections.

‡ Not illustrated.  
Quantity is 1 unless otherwise noted.

## ORDERING INSTRUCTIONS

Order Parts through your nearest supplier.

When ordering parts, first obtain Model Number from data plate on your boiler.

Include following information when ordering:

Part No. \_\_\_\_\_

Part Description \_\_\_\_\_

Boiler Model No. \_\_\_\_\_