

97_{gb}



CONDENSING GAS BOILER Models 075 & 100

PARTS, KITS & OPTIONAL ACCESSORIES

Ordering Instructions

Order Parts through your nearest supplier.

When ordering parts, obtain Model Number and Serial Number from data plate on your boiler.

Include following information when ordering.

Part Number _____

Part Description _____

Boiler Model Number _____

Boiler Serial Number _____



An ISO 9001-2008 Certified Company

Manufactured by:

ECR International

2201 Dwyer Avenue, Utica NY 13501

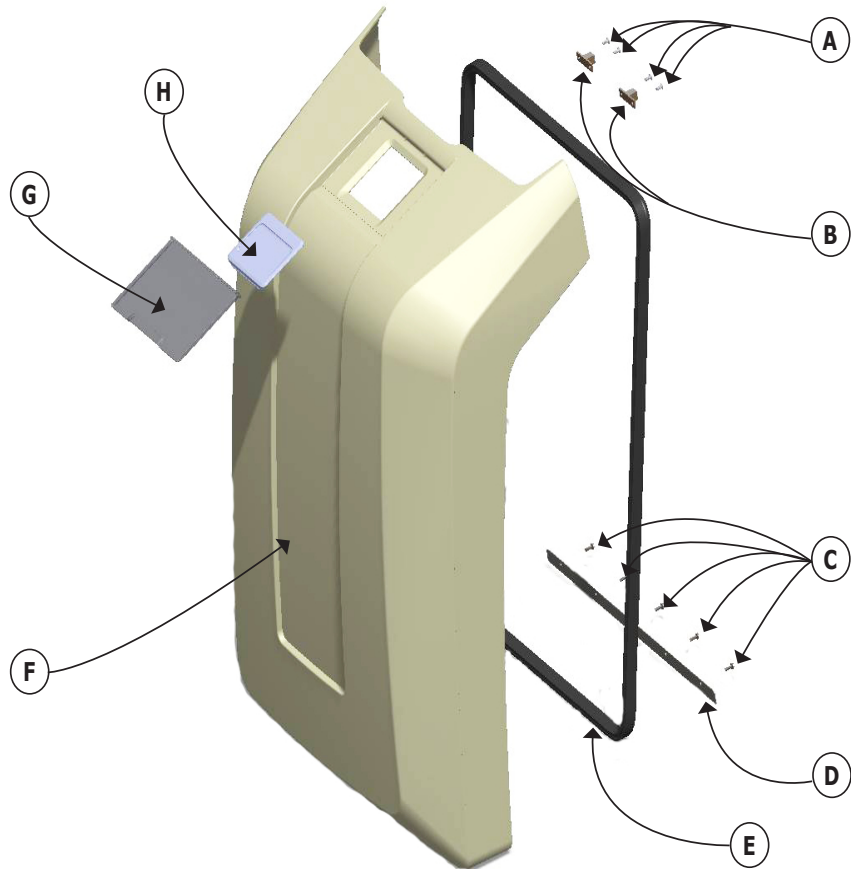
web site: www.ecrinternational.com

P/N 240008283, Rev. D [11/2014]

TABLE OF CONTENTS

Jacket Kits.....	3
Heat Exchanger Kits.....	4
Burner Kits.....	5
Igniter Kit.....	6
Flame Sensor Kit.....	6
Gas Valve Kits.....	7
Gas Line Kit.....	8
Blower Kit.....	9
Condensate Collector Kit.....	10
Condensate Trap Kit.....	11
Control Module Kit.....	12
User Interface Kit.....	12
Wire Harness Kit.....	13
Service/Starter Kit.....	13
Misc. Parts.....	14
Optional Accessories.....	15

JACKET KITS

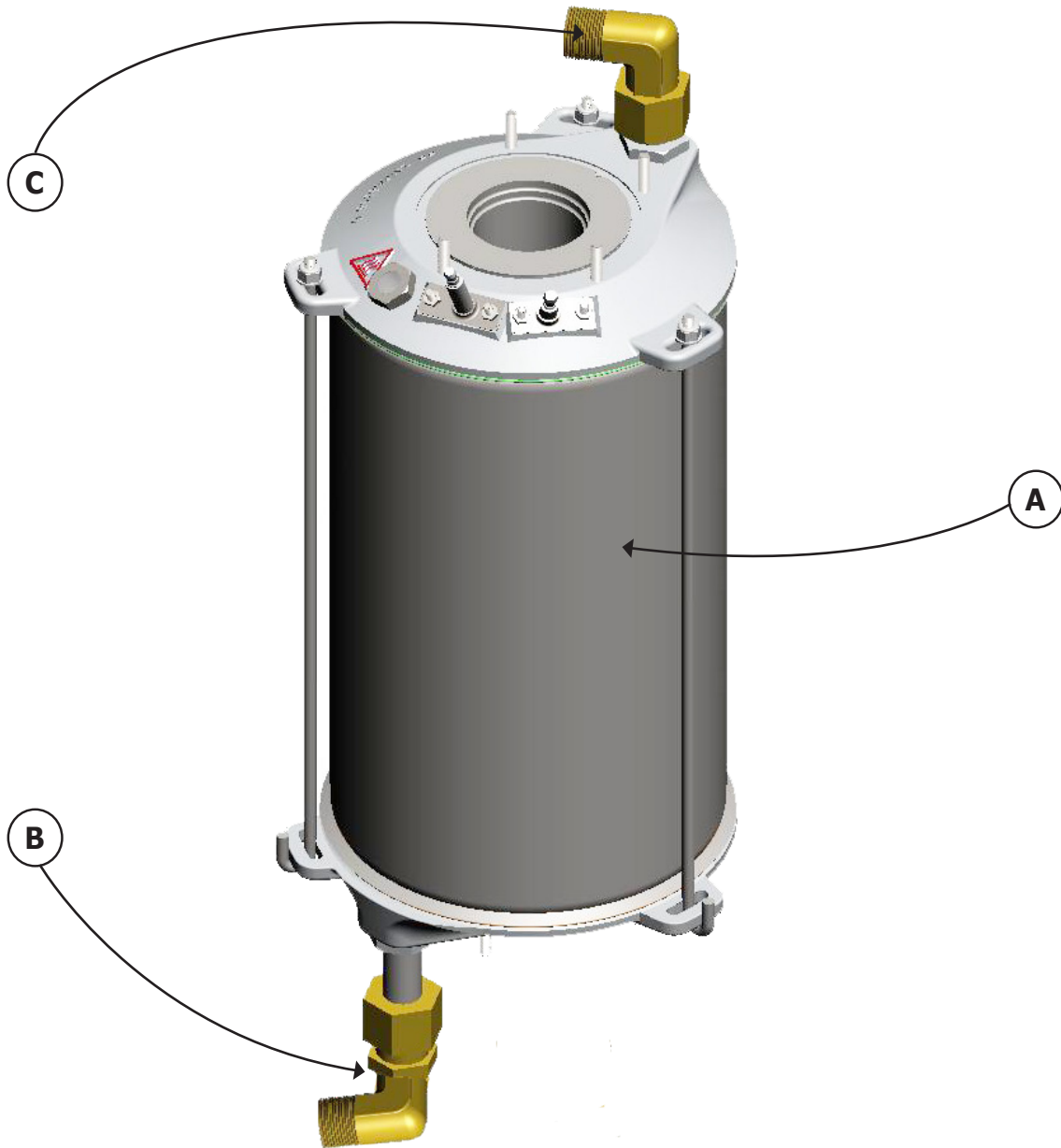


ECR97 Jacket Kit #550002187				
	ITEM	DESCRIPTION	PART #	QTY
Jacket Kit #550002187 includes all items listed	A	Jacket Latch Screws	-	4
	B	Jacket Latch - Door	-	2
	C	Jacket Hinge Screws	-	5
	D	Jacket Hinge	-	1
	E	Jacket Gasket	-	8.5 Ft.
	F	Jacket	-	1
	G	Plastic Smoked Cover	240008268	1
	H	Logo Bezel	240008269	1

ECR97 Jacket Gasket Kit #550002230				
	ITEM	DESCRIPTION	PART #	QTY
Jacket Gasket Kit #550002230	E	Jacket Gasket	-	8.5 Ft
	*	Instructions	240008658	1
* Not Shown				

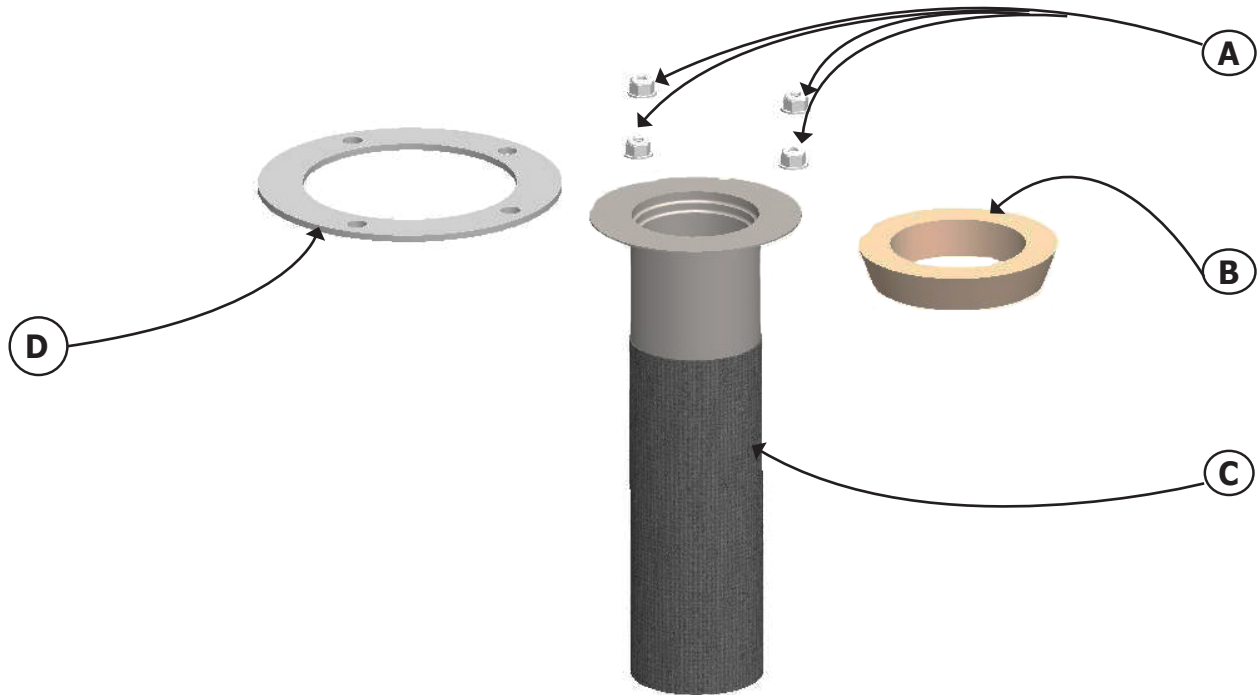
ECR97 Jacket Latch/Clip Kit #550002229				
	ITEM	DESCRIPTION	PART #	QTY
Jacket Latch / Clip Kit - Door #550002229 includes all items listed	A	Jacket Latch Screws	-	8
	B	Jacket Latch - Door	-	2
	*	Instructions	240008657	1
* Not Shown				

HEAT EXCHANGER KITS



ECR97 075 Heat Exchanger Kit #550002196				
Heat Exchanger Kit #550002196 includes all items listed	ITEM	DESCRIPTION	PART #	QTY
	A	Heat Exchanger Module (includes: Burner Kit, Igniter, Flame Rod)	-	1
	B	Fitting, Compression 90°, 20 mm tube x 3/4 NPT	-	2
	*	Instructions	240008598	1
ECR97 100 Heat Exchanger Kit #550002197				
	A	Heat Exchanger Module (includes: Burner Kit, Igniter, Flame Rod)	-	1
	B	Fitting Assembly, Compression 90°, 20 mm tube x 3/4 NPT	-	2
	*	Instructions	240008598	1
* Not Shown				

BURNER KITS



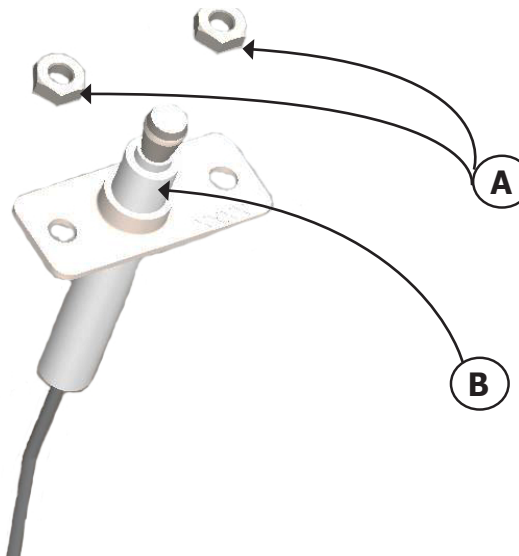
ECR97 075 Replacement Burner Kit #550002188				
	ITEM	DESCRIPTION	PART #	QTY
Replacement Burner Kit #550002188 includes all items listed	A	1/4-20 Nut	-	4
	B	Burner Sleeve, Refractory 75/100 ECR97	-	1
	C	Burner 75K BTU	-	1
	D	Gasket, Air/Fuel Inlet	-	1
	*	Instructions	240008590	1
ECR97 100 Replacement Burner Kit #550002189				
Replacement Burner Kit #550002189 includes all items listed	A	1/4-20 Nut	-	4
	B	Burner Sleeve, Refractory 75/100 ECR97	-	1
	C	Burner 100K BTU	-	1
	D	Gasket, Air/Fuel Inlet	-	1
	*	Instructions	240008590	1
ECR97 075/100 Burner Inspection Kit #550002231				
Burner Inspection Kit #550002231 includes all items listed	A	1/4-20 Nut	-	4
	B	Burner Sleeve, Refractory 75/100 ECR97	-	1
	D	Gasket, Air/Fuel Inlet	-	1
	*	Instructions	240008659	1
* Not Shown				

IGNITER KIT



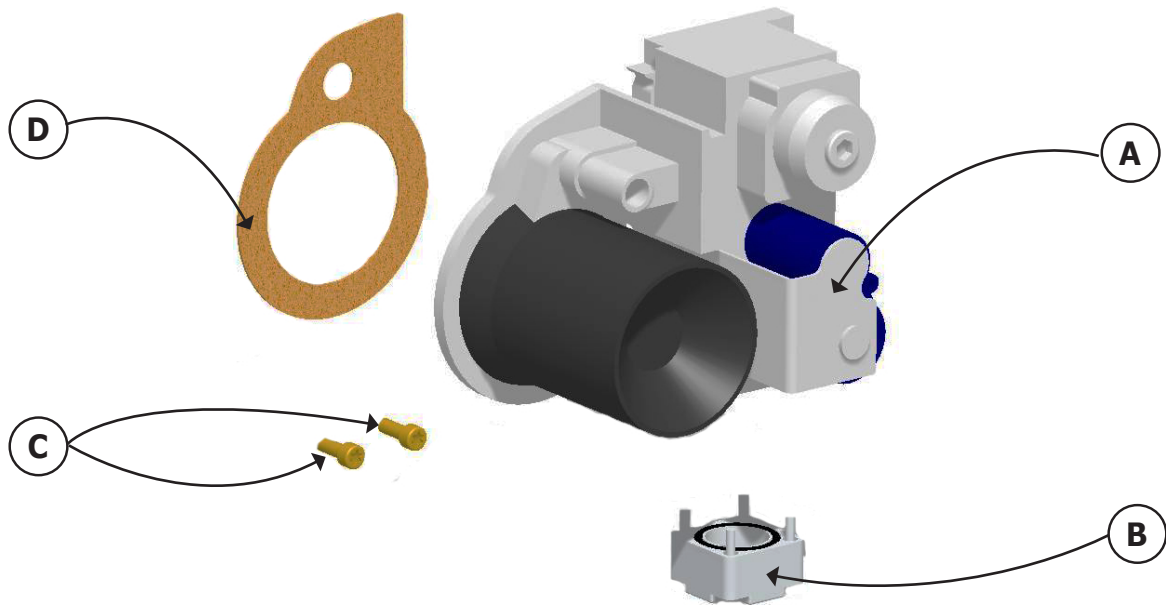
ECR97 Igniter Kit #550002190				
	ITEM	DESCRIPTION	PART #	QTY
Igniter Kit #550002190 includes all items listed	A	8-32, Nut	-	2
	B	Igniter 075, 100	-	1
	C	Igniter Gasket	-	1
	*	Instructions	240008592	1
* Not Shown				

FLAME SENSOR KIT



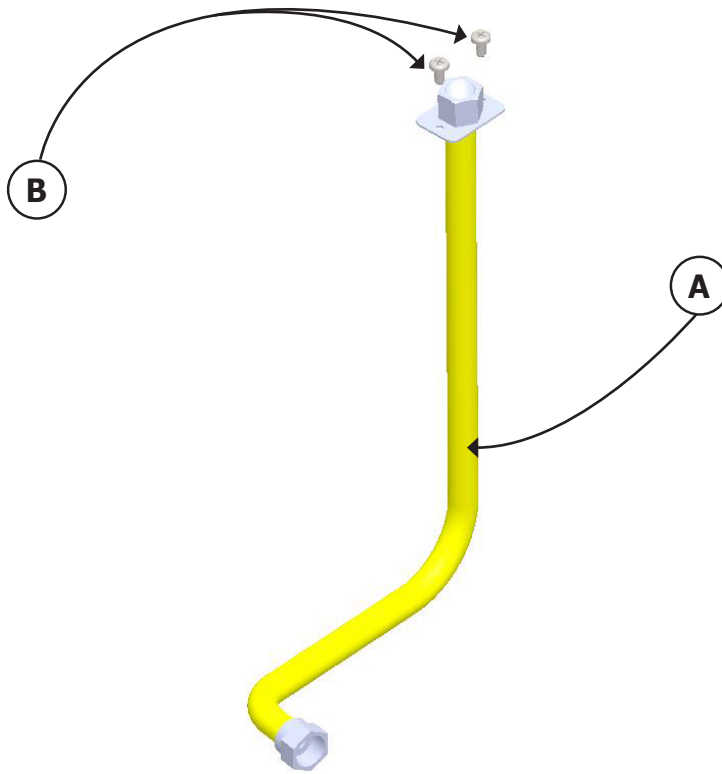
ECR97 Flame Sensor Kit #550002191				
	ITEM	DESCRIPTION	PART #	QTY
Flame Rod Kit #550002191 includes all items listed	A	8-32, Nut	-	2
	B	Sensor Flame	-	1
	*	Instructions	240008593	1
* Not Shown				

GAS VALVE KITS



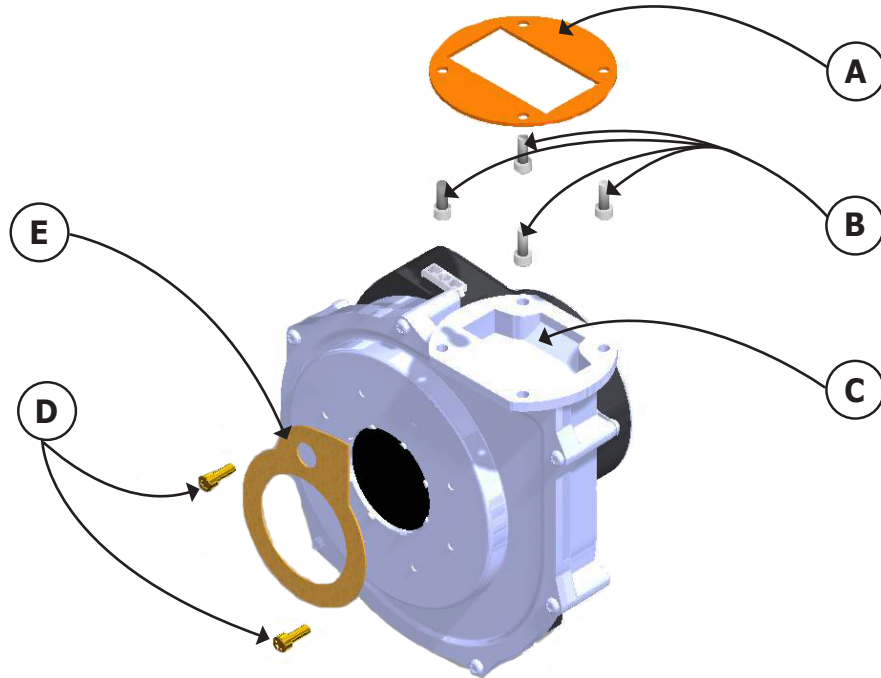
ECR97 075 Gas Valve Kit #550002202				
	ITEM	DESCRIPTION	PART #	QTY
Gas Valve Kit #550002202 includes all items listed	A	Gas Valve ECR97, 75, 120V, VK4115V1212	-	1
	B	1/2" Flange 45900 400-122B O-Rings & Screws	1235008	1
	C	Screw, T25 Torx	-	2
	D	Gasket, Cork	1250021	1
	*	Instructions	240008603	1
ECR97 100 Gas Valve Kit #550002203				
Gas Valve Kit #550002203 includes all items listed	A	Gas Valve ECR97, 100, VK4115V1213	-	1
	B	1/2" Flange 45900 400-122B O-Rings & Screws	1235008	1
	C	Screw, T25 Torx	-	2
	D	Gasket, Cork	1250021	1
	*	Instructions	240008603	1
* Not Shown				

GAS LINE KIT



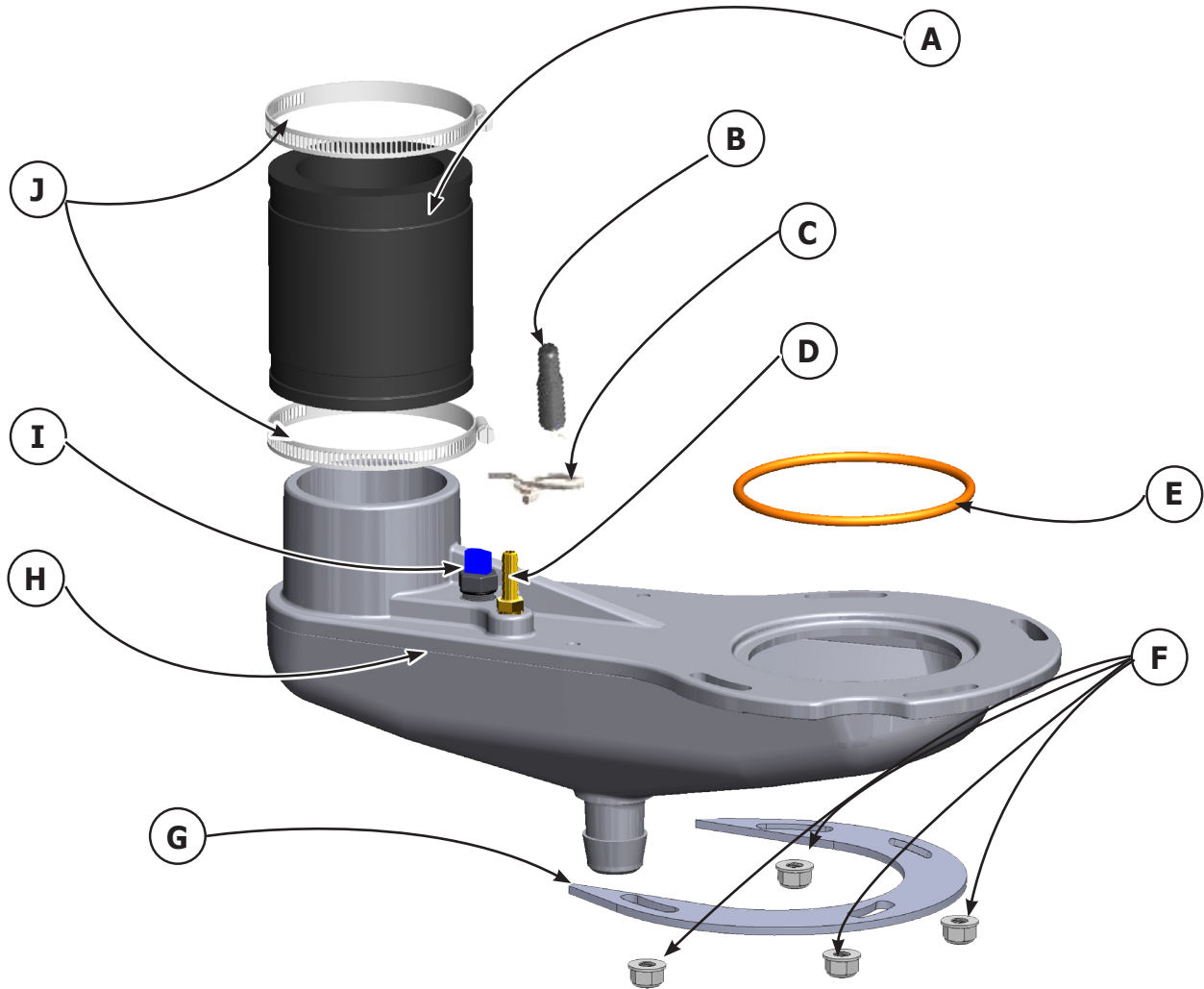
ECR97 Flexible Gas Line Kit #550002204				
	ITEM	DESCRIPTION	PART #	QTY
Flexible Gas Line Kit #550002204 includes all items listed	A	Flexible Gas Line 23"	-	1
	B	Screw, 12-24x1/2 Type F, Philips, PH Zinc	-	2
	*	Instructions	240008605	1
	* Not Shown			

BLOWER KIT



ECR97 Blower Kit #550002192				
	ITEM	DESCRIPTION	PART #	QTY
Blower Motor Kit #550002192 includes all items listed	A	Red Gasket, Fan/Transition Piece	1250007	1
	B	Screw, 10-24 X 1/2" SS Socket Head Cap	-	4
	C	Blower, 120 V 50/60 Hz	-	1
	D	Screw, T25 Torx	-	2
	E	Gasket, Cork	1250021	1
	*	Instructions	240008594	1
	* Not Shown			

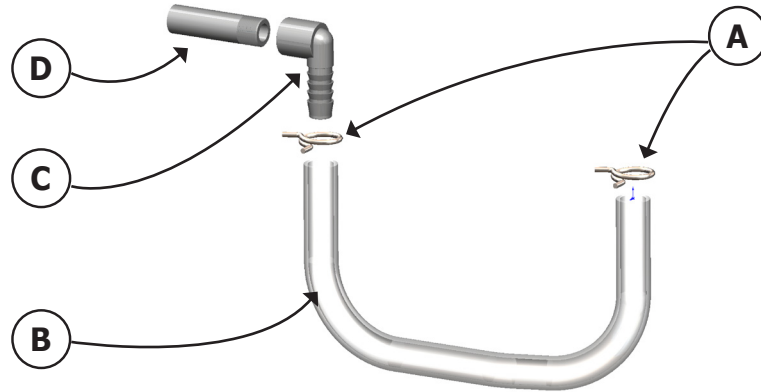
CONDENSATE COLLECTOR KIT



075/100 Condensate Collector Kit # 550002294				
	ITEM	DESCRIPTION	PART #	QTY
Condensate Collector Kit #550002294 includes all items listed	A	Flexible Coupling	-	1
	B	Cap black vinyl 3/16"	1230006	1
	C	Clamp, Spring Tension	1110001	1
	D	Hose Barb	1230010	1
	E	O-Ring for Condensate Collector	240008261	1
	F	1/4-20 Hex Flange Nut	-	4
	G	Flue Collector Bracket	109008777	1
	H	Condensate Collector Plastic	-	1
	I	Sensor, Vent Temperature	240008227	1
	J	Hose Clamp	-	2
	*	Instructions	240008596	1

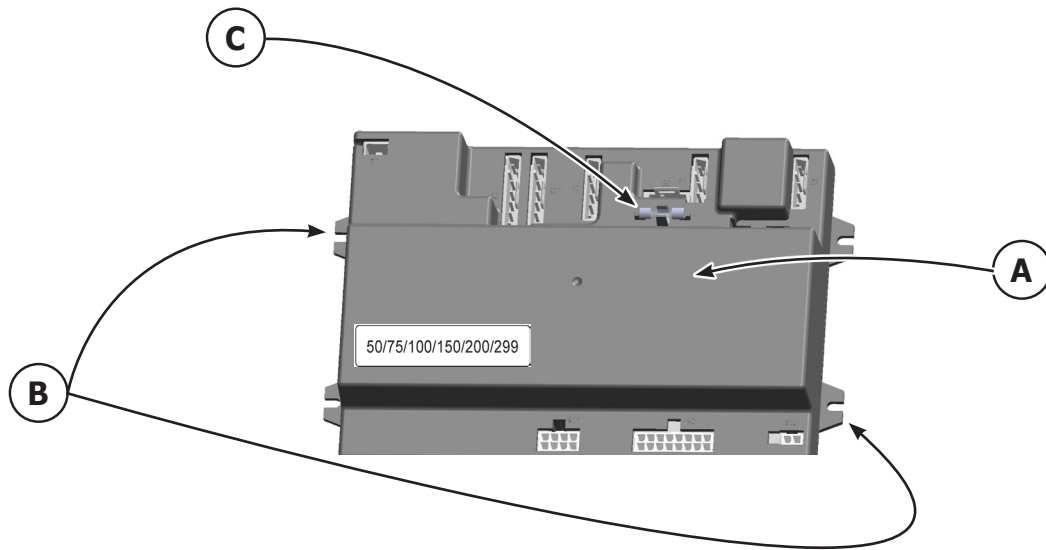
* Not Shown

CONDENSATE TRAP KIT



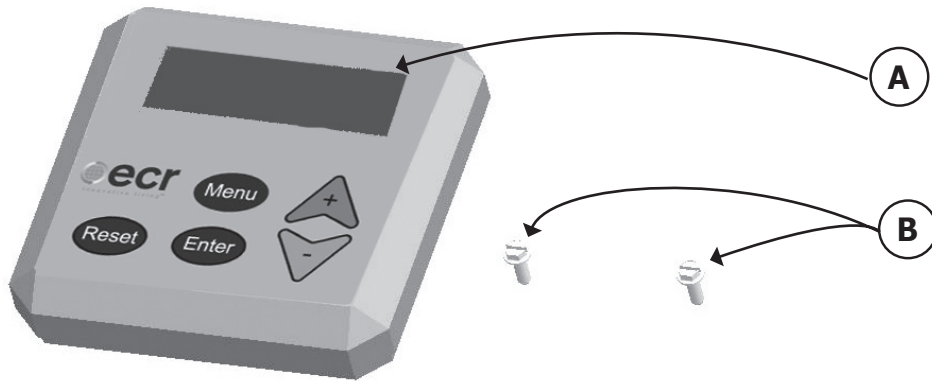
ECR97 Condensate Trap Kit #550002195				
	ITEM	DESCRIPTION	PART #	QTY
Condensate Trap Kit #550002195 includes all items listed	A	Collet Clip, 1-1/8"	240008406	2
	B	Condensate Trap	240008264	1
	C	90° Barbed Elbow	-	1
	D	Nipple	-	1
	*	Instructions	240008597	1
* Not Shown				

CONTROL MODULE KIT



ECR97 Control Module Kit #550002199				
	ITEM	DESCRIPTION	PART #	QTY
Control Board Kit #550002199 includes all items listed	A	Control Module	-	1
	B	Screw, 8-32x3/8, HWH, Slot Self Tapping	-	2
	C	Fuse, 3.15A ac, 250V, Slo-Blo Glass 5x20mm (Additional fuse is included with control module on Boiler)	240008665	1
	*	Instructions	240008600	1
* Not Shown				

USER INTERFACE KIT



ECR97 User Interface Kit #550002201				
	ITEM	DESCRIPTION	PART #	QTY
User Interface Kit #550002201 includes all items listed	A	User Interface Control	-	1
	B	Screw, 8x1/2 B, HWH, Slot, SZN	-	2
	*	Instructions	240008602	1
* Not Shown				

WIRE HARNESS KIT





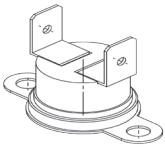
ECR97 Wire Harness Kit #550002198			
	DESCRIPTION	PART #	QTY
Wire Harness Kit #550002198 includes all items listed	Main Boiler Wiring Assembly Harness	-	1
	120V Wire Harness, From Boiler Interface Module to High Voltage Terminal Block	-	1
	Low Volt Terminal Block Harness	-	1
	Universal Bushing 7/8"OD, Heyco 2119	-	1
	Screw, #6-32X3/4, Philips, Type F Zinc	-	2
	Screw, 6x3/8, Type B HPH, SZN	-	2
	Screw, 8-32x5/16, Self Tapping, Ground, Green	-	2
	Grommet, .438: ID x .938" OD, Heyco G1150	-	1
	Instructions	240008599	1

SERVICE/STARTER KIT

ECR97 Service/Starter Kit #550002200			
	DESCRIPTION	PART #	QTY
Service/ Starter Kit #550002200 includes all items listed	Rocker Switch (Service Switch)	1500012	1
	Receptacle (Auxillary Power Outlet)	1407001	1
	Transformer, 120V Primary, 24 Volt Secondary, 15 VA	240008279	1
	Breaker, 5AMP, 250V, W28-XQ1A-5	240008395	1
	Frame, Terminal Block, Phoenix 1852163	240008407	1
	Relay, 120 VAC, Omron G2R-1-T	240008410	1
	Screw, 2.5 x 6MM, Type TR-M, T8, DR, Zinc (for frame)	240008408	2
	Screw, 6 x 3/8, Type B HPH, SZN	-	2
	Instructions	240008601	1

MISC. PARTS

Replacement Parts		
	DESCRIPTION	PART #
	Igniter Cable	240008413
	Sight Glass	240008235
	*Pump, Grundfos UP26-99	240008246
	Boiler Drain Valve	14622000
	LWCO, Hydrolevel Safeguard 1100 MINI, 24 VAC	240008250
	High Temperature Supply Switch	240008290
	Sensor, Return Water	240008226
	Sensor, Flue	240008227
	Collet Clip, 1-1/8"	240008406
	Ball Valve 1/2" Female NPT x 5/8", FLR (Gas Shutoff valve)	240008297

Replacement Parts		
	DESCRIPTION	PART #
	Safety Relief Valve (30 PSI) Conbraco 10-407-05	VR-001.01
	Air Vent, Watts FV-4M1, 1/4 NPT	240008458
	Wall Bracket	109008079
	Cap black vinyl 3/16"	1230006
	Temperature Switch L300-40F	240009508
Replacement Part		
	DESCRIPTION	PART #
Not Shown	Sensor, Outdoor	240008225
Not Shown	Gauge, Temperature Pressure, 2" shank,	1260006
Not Shown	Fuse, 3.15A ac, 250V, Slo-Blo Glass 5x20mm	240008665

* If necessary rotate pump head 90° before installing in boiler.

OPTIONAL ACCESSORIES

ECR97 075 Gas Conversion Kit # 550002171			
	DESCRIPTION	PART #	QTY
Conversion Kit #550002171 includes all items listed	Orifice, LP, ECR97 - 075	-	1
	Label, "Converted By"	-	2
	Label, "Nat to LP" conversion plate	-	1
	Label, "LP to Nat" conversion plate	-	1
	Instructions	240008527	1

ECR97 100 Gas Conversion Kit #550002172			
	DESCRIPTION	PART #	QTY
Conversion Kit #550002172 includes all items listed	Orifice, LP, ECR97 - 100	-	1
	Label, "Converted By"	-	2
	Label, "Nat to LP" conversion plate	-	1
	Label, "LP to Nat" conversion plate	-	1
	Instructions	240008527	1

Concentric Vent Kits	
DESCRIPTION	PART #
2" Concentric Vent Kit	29570
3" Concentric Vent Kit	29571

ECR97 Multi Boiler Sensor Kit #550002186			
	DESCRIPTION	PART #	QTY
Multi Boiler Sensor Kit #550002186 includes all items listed	Sensor, 12K, NTC, 6x45MM	240008465	1
	Well, 1/2 NPT Copper/Brass	240008466	1
	Sensor Well Lock Clip	240008467	1
	Instructions, Multi Boiler Sensor	240008959	1

97_{gb}

**CONDENSING
GAS BOILER
Models 075 & 100**



An ISO 9001-2008 Certified Company

ECR International, Inc.

2201 Dwyer Ave

Utica, NY 13501

www.ecrinternational.com