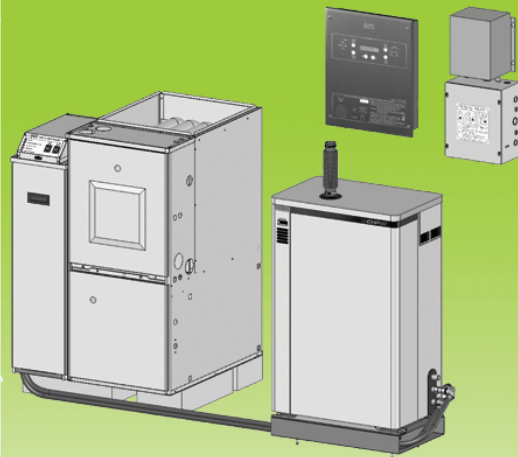


freewatt®



Warm Air freewatt Plus System, Models WAJ & WDJ

POWERED by **HONDA™**

WIRING SCHEMATICS

PATH
PARTNERSHIP FOR ADVANCING TECHNOLOGY IN HOUSING
P A R T N E R

Information and specifications in the manual were in effect at time of printing of this manual. ECR International reserves the right to discontinue, change specifications or system design at any time without notice and without incurring any obligation, whatsoever.

An ISO 9001-2008 Certified Company
ECR International, Inc.
2201 Dwyer Ave.
Utica, NY 13501

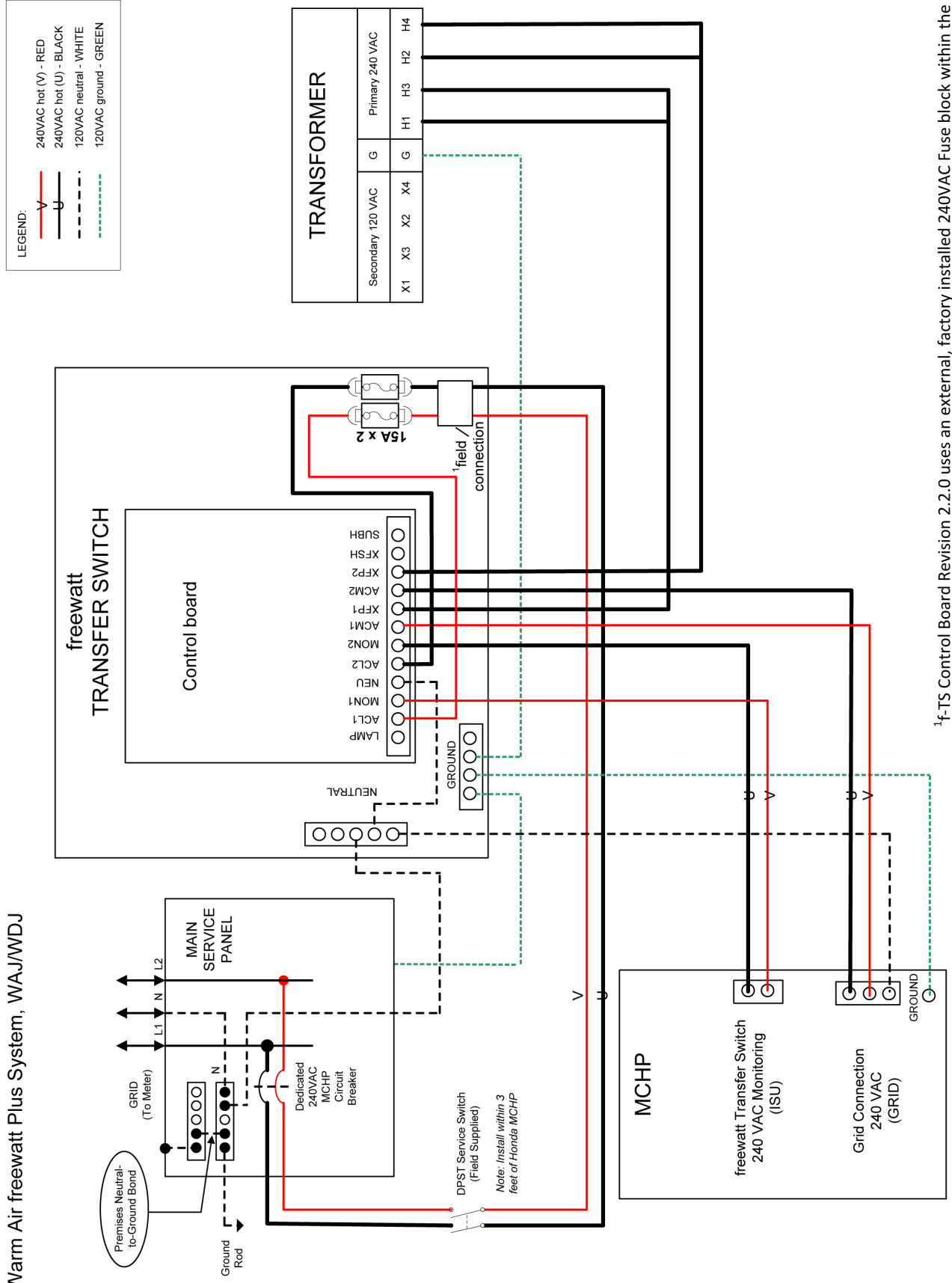
 **ecr**
innovative living™

P/N #240008321, Rev. B [010/2010]

Check our website frequently for updates: www.freewatt.com www.ecrinternational.com

Electrical Schematic 240 VAC WIRING ONLY

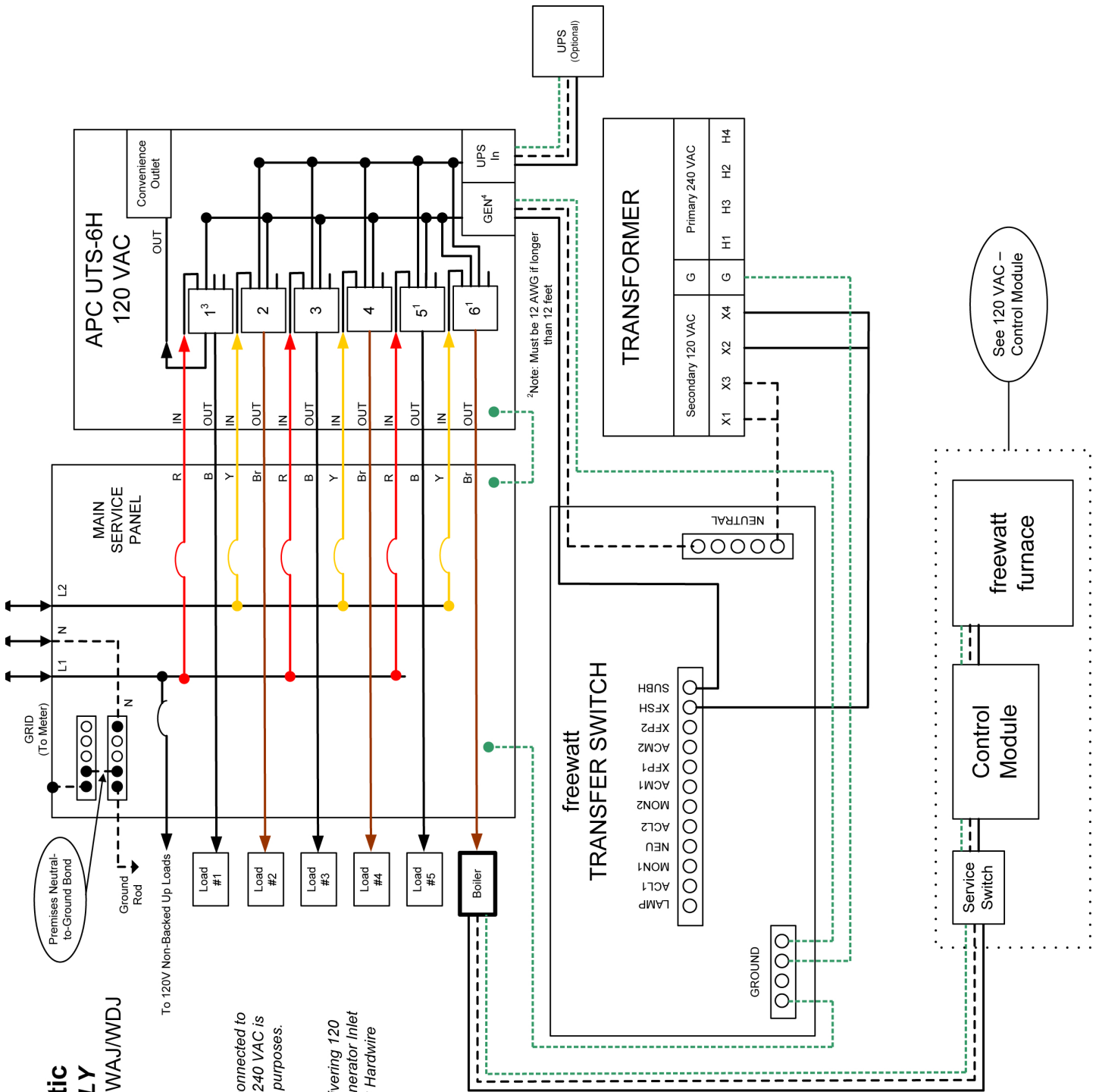
Warm Air freewatt Plus System, WAJ/WDJ



¹f-TS Control Board Revision 2.2.0 uses an external, factory installed 240VAC Fuse block within the enclosure.
 f-TS Control Board Revision 2.2.1 does not use an external fuse block, Wiring from the main service panel connects directly to the screw terminals on the board

WAJ/WDJ 120 VAC WIRING ONLY

Electrical Schematic 120 VAC WIRING ONLY Warm Air freewatt Plus System, WAJ/WDJ



¹**IMPORTANT:** APC Circuits 5 & 6 must be connected to breakers that are in opposite phases, so that 240 VAC is present across the two circuits for monitoring purposes.

²**IMPORTANT:** The backup power cable delivering 120 VAC power to the APC UTS6H Backup 1 Generator Inlet must be installed with the supplied APC UTS Hardware Kit.

³**IMPORTANT:** Circuit 1 combines the convenience outlet and any circuit hard-wired to this breaker (Combined 120 VAC Current Limit = 15 Amps).

⁴**Note:** Use external hardware kit P/N 240007866 Supplied with system

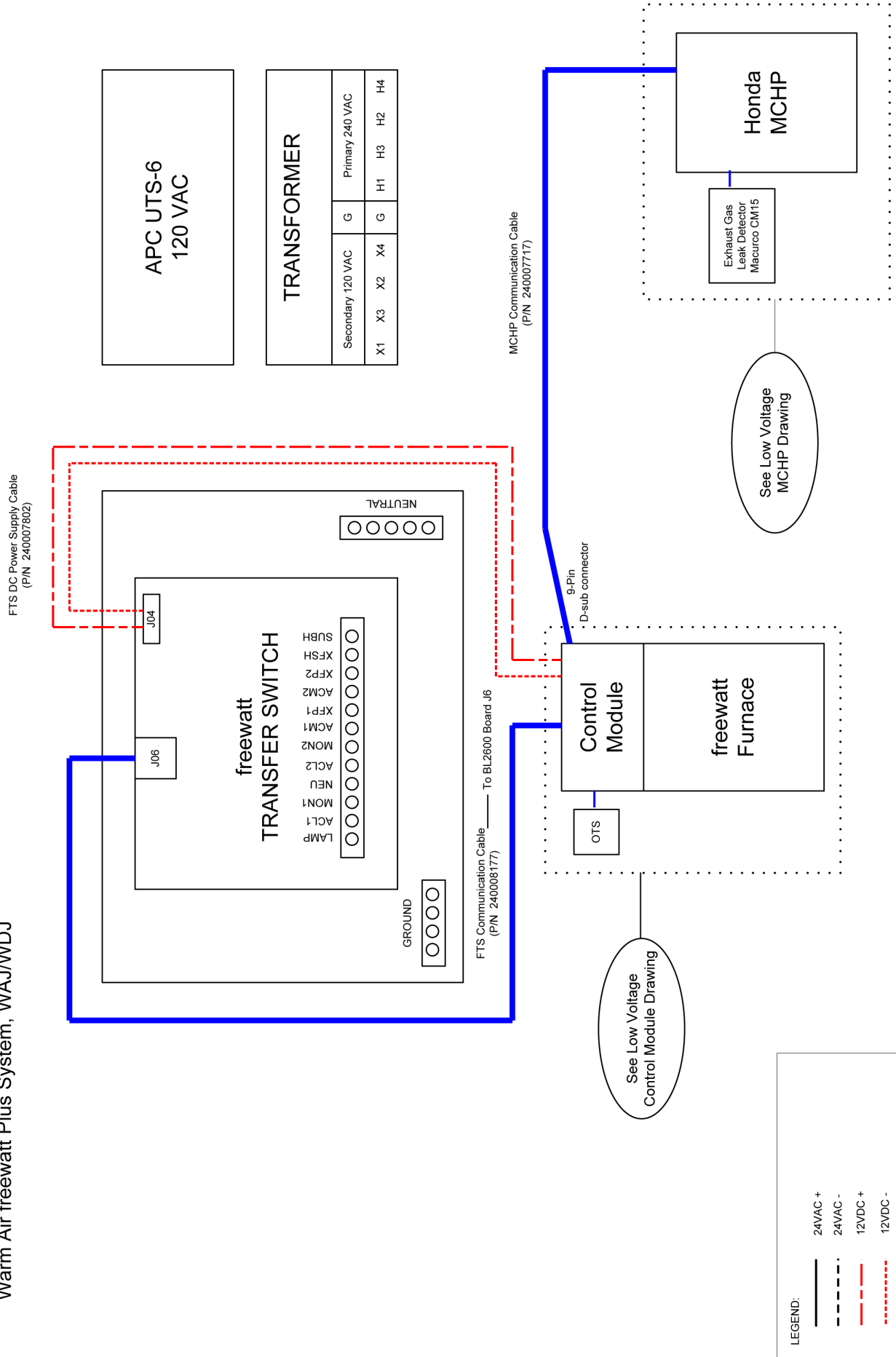
²Note: Must be 12 AWG if longer than 12 feet

LEGEND:

—	120VAC hot
- - -	120VAC neutral
· · ·	120VAC ground

Electrical Schematic
LOW VOLTAGE WIRING ONLY
 Warm Air freewatt Plus System, WAJ/WDJ

WAJ/WDJ LOW VOLTAGE WIRING ONLY

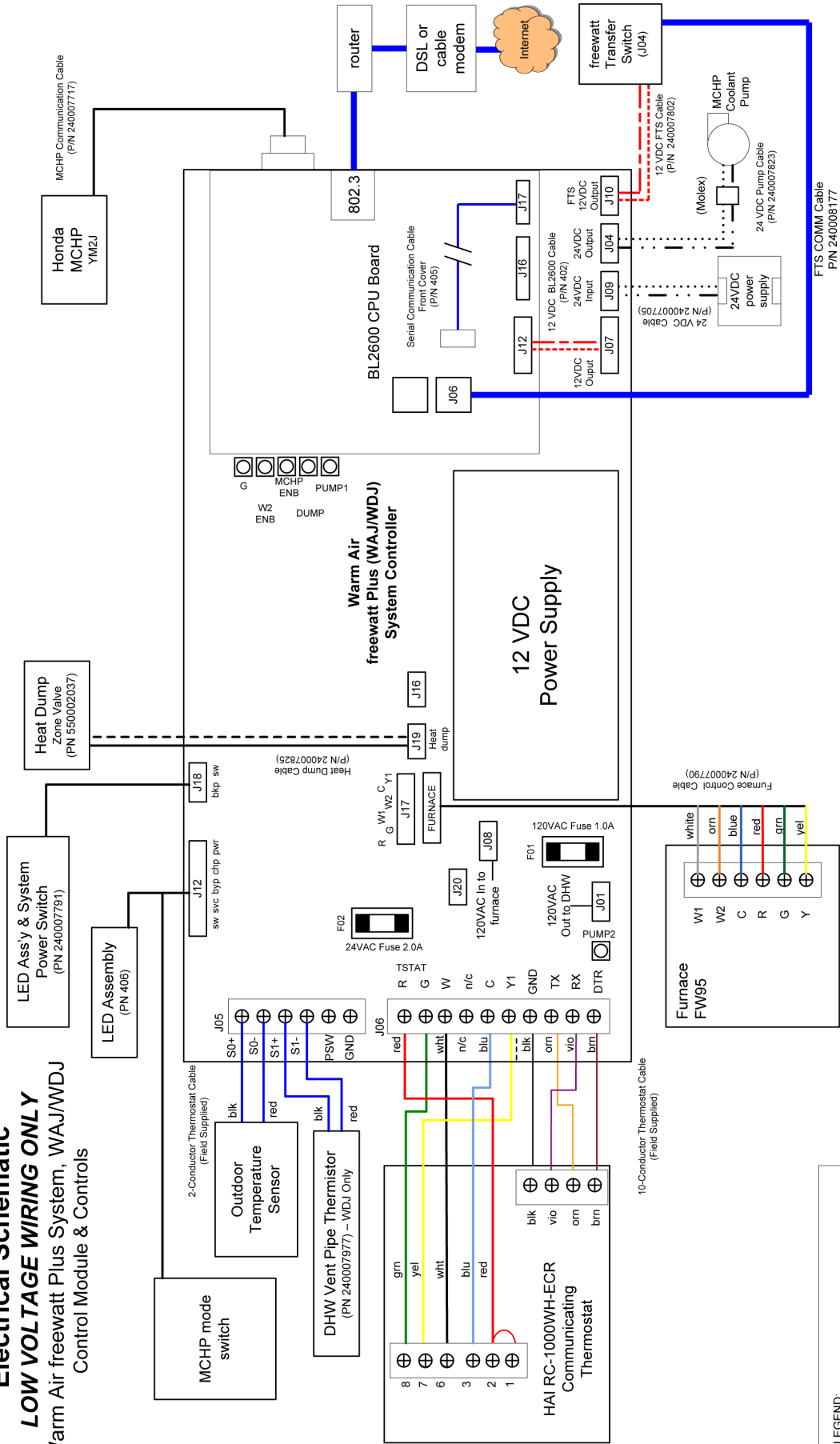


WAJ/WDJ LOW VOLTAGE WIRING ONLY - CONTROL MODULE & CONTROLS

Electrical Schematic

LOW VOLTAGE WIRING ONLY

Warm Air freewatt Plus System, WAJ/WDJ Control Module & Controls



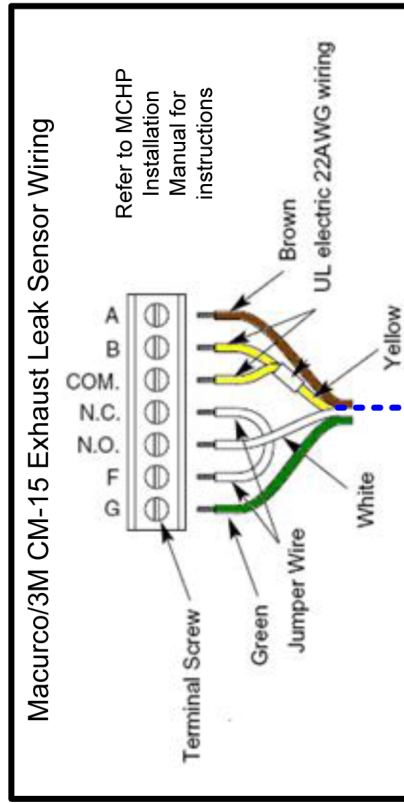
LEGEND:

—	24VAC +
- - -	24VAC -
- · - · -	24VDC +
· · · · ·	24VDC -
—	12VDC +
- - -	12VDC -
—	Data Communication Cable
—	Signal Cable

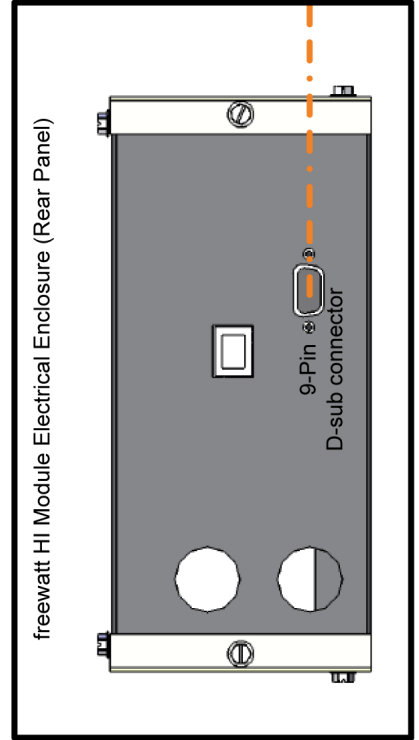
Electrical Schematic

MCHP LOW VOLTAGE WIRING

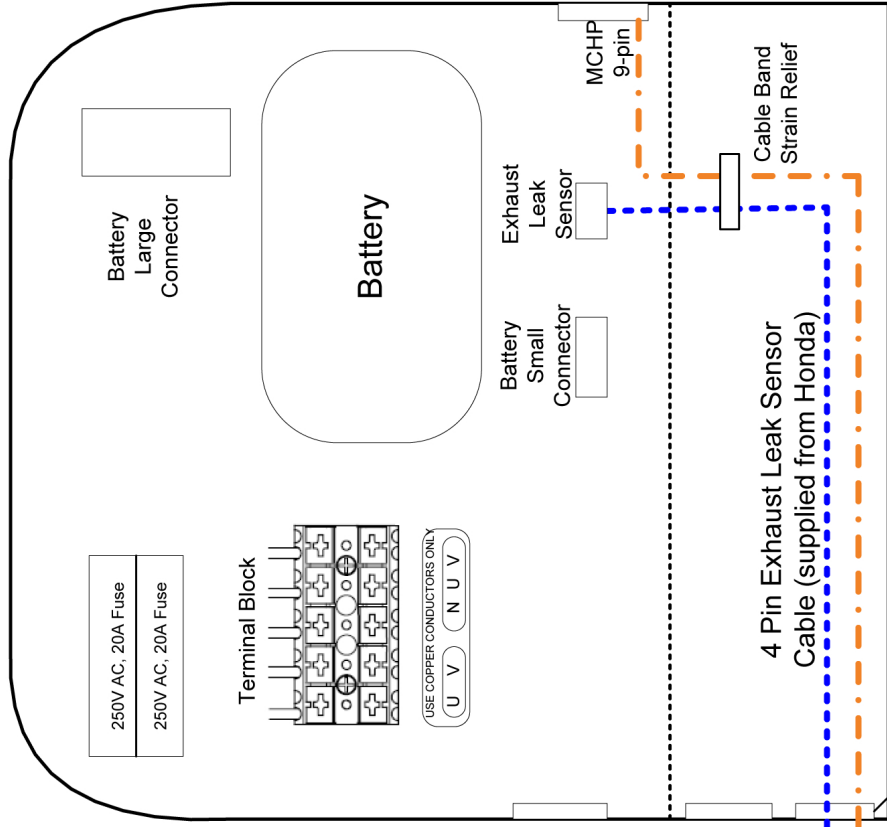
Warm Air freewatt Plus System, WAJ/WDJ



Note:
 CM-15 should be mounted approximately 5ft above floor level and at least 5ft away from a fuel gas burning appliance.



MCHP Electrical Cabinet



Communication and Exhaust Leak Sensor Cable Routed Through Lower Grommet

YM2J Communication Cable
 PN# 240007717

freewatt®



P.O. Box 4729
Utica, NY 13504-4729
www.freewatt.com
www.ecrinternational.com

MEMBER: *The Hydronics Institute*