

freewatt®



Hydronic freewatt Plus System, Model HDJ

POWERED by HONDA™

WIRING SCHEMATICS



Information and specifications in the manual were in effect at time of printing of this manual. ECR International reserves the right to discontinue, change specifications or system design at any time without notice and without incurring any obligation, whatsoever.

An ISO 9001-2008 Certified Company
ECR International, Inc.
2201 Dwyer Ave.
Utica, NY 13501

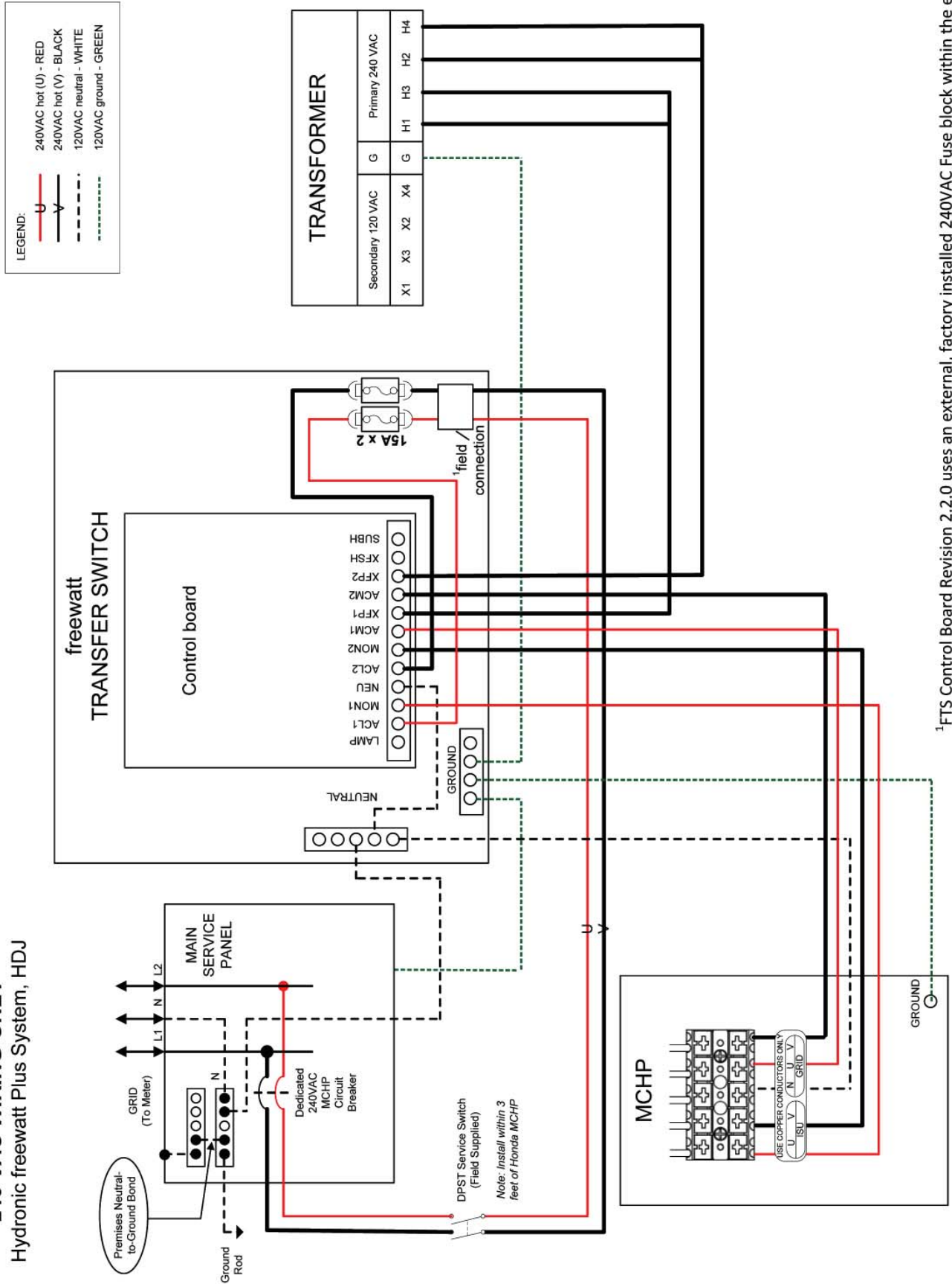


P/N # 240008322, Rev. B [12/2010]

Check our website frequently for updates: www.freewatt.com www.ecrinternational.com

Electrical Schematic 240 VAC WIRING ONLY

Hydronic freewatt Plus System, HDJ

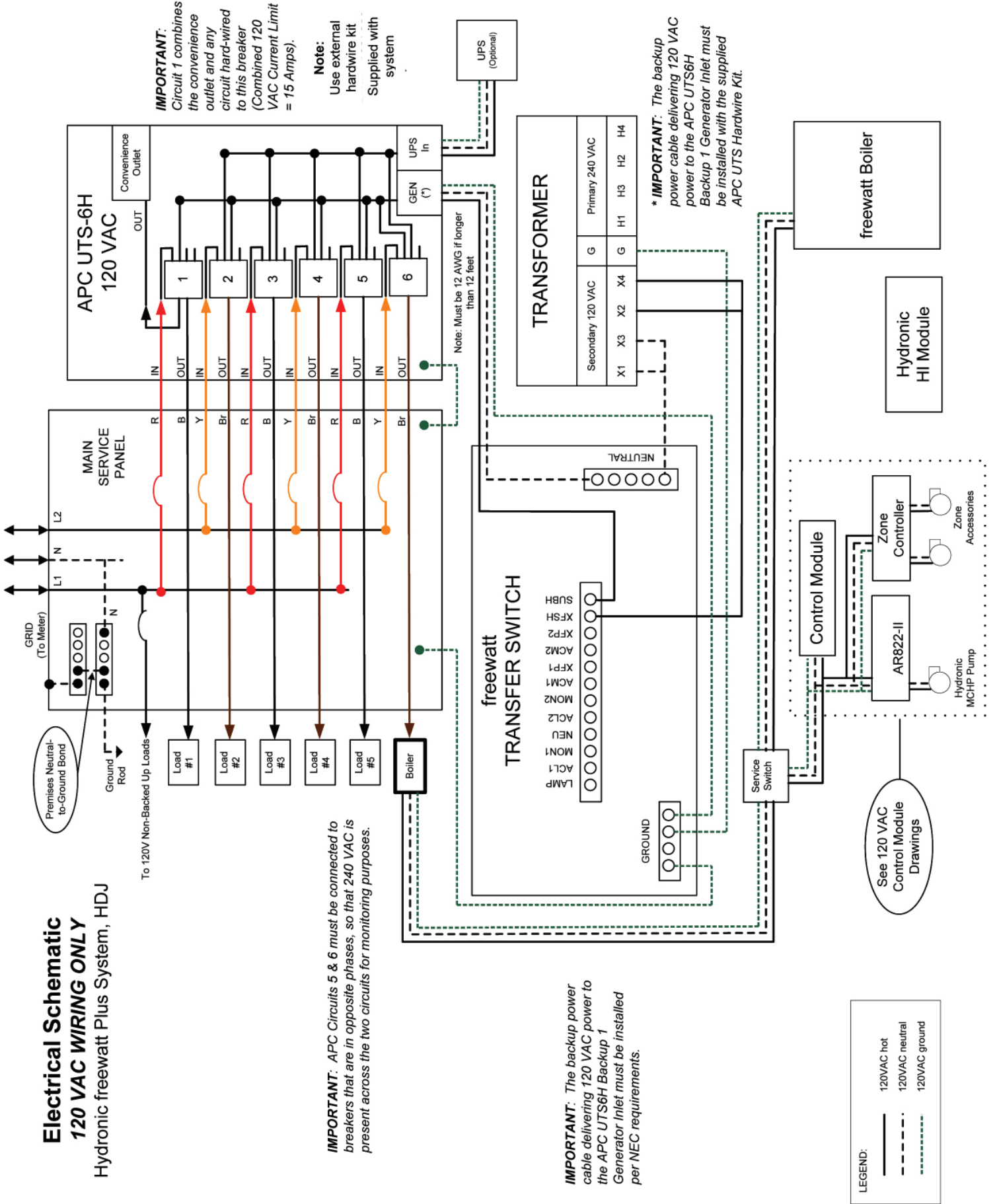


¹FTS Control Board Revision 2.2.0 uses an external, factory installed 240VAC Fuse block within the enclosure.
 FTS Control Board Revision 2.2.1 does not use an external fuse block. Wiring from the main service panel connects directly to the screw terminals on the board

HDJ 120 VAC WIRING ONLY

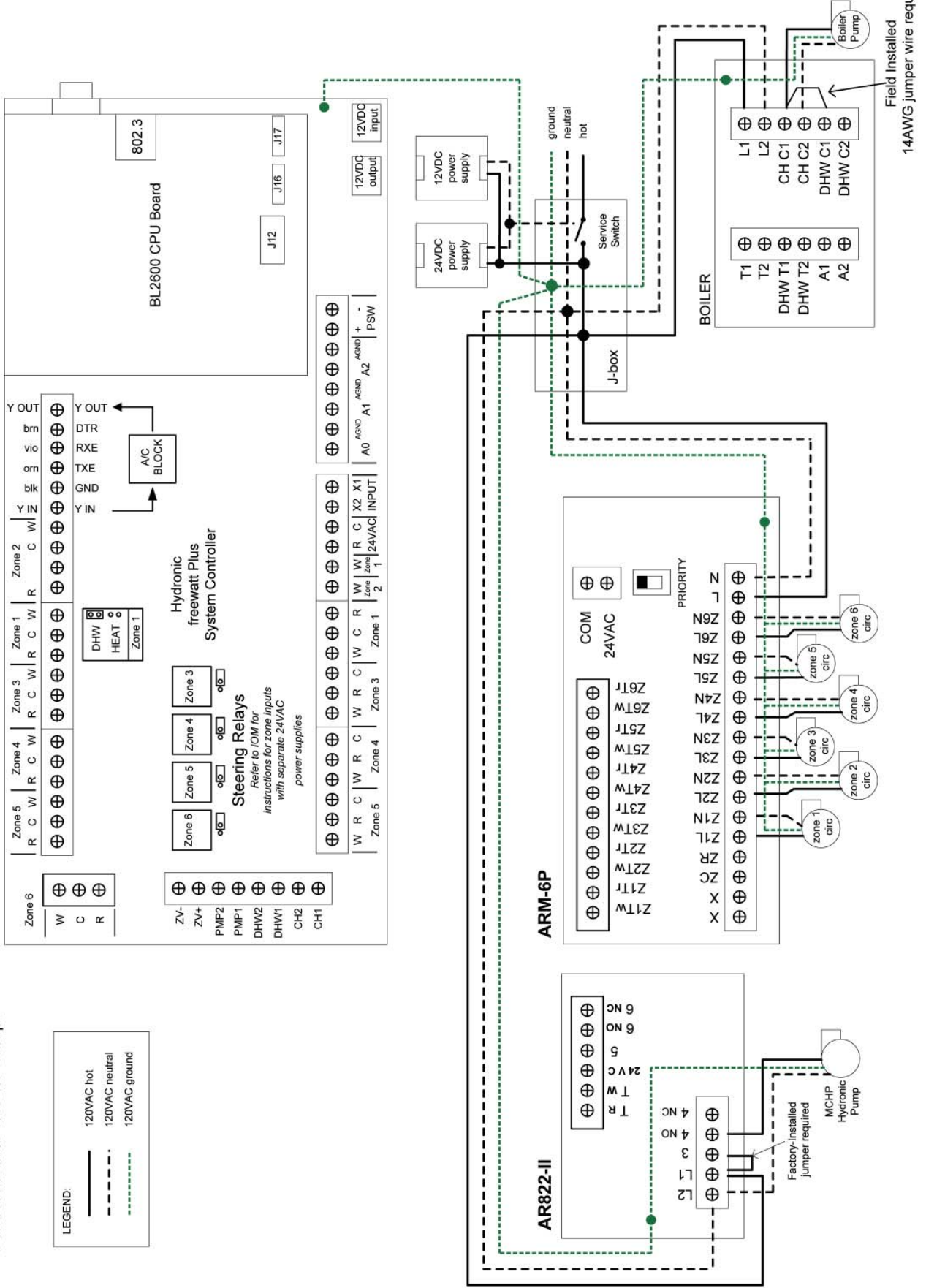
Electrical Schematic 120 VAC WIRING ONLY

Hydronic freewatt Plus System, HDJ



HDJ 120 VAC WIRING - CONTROL MODULE & ZONE PUMPS

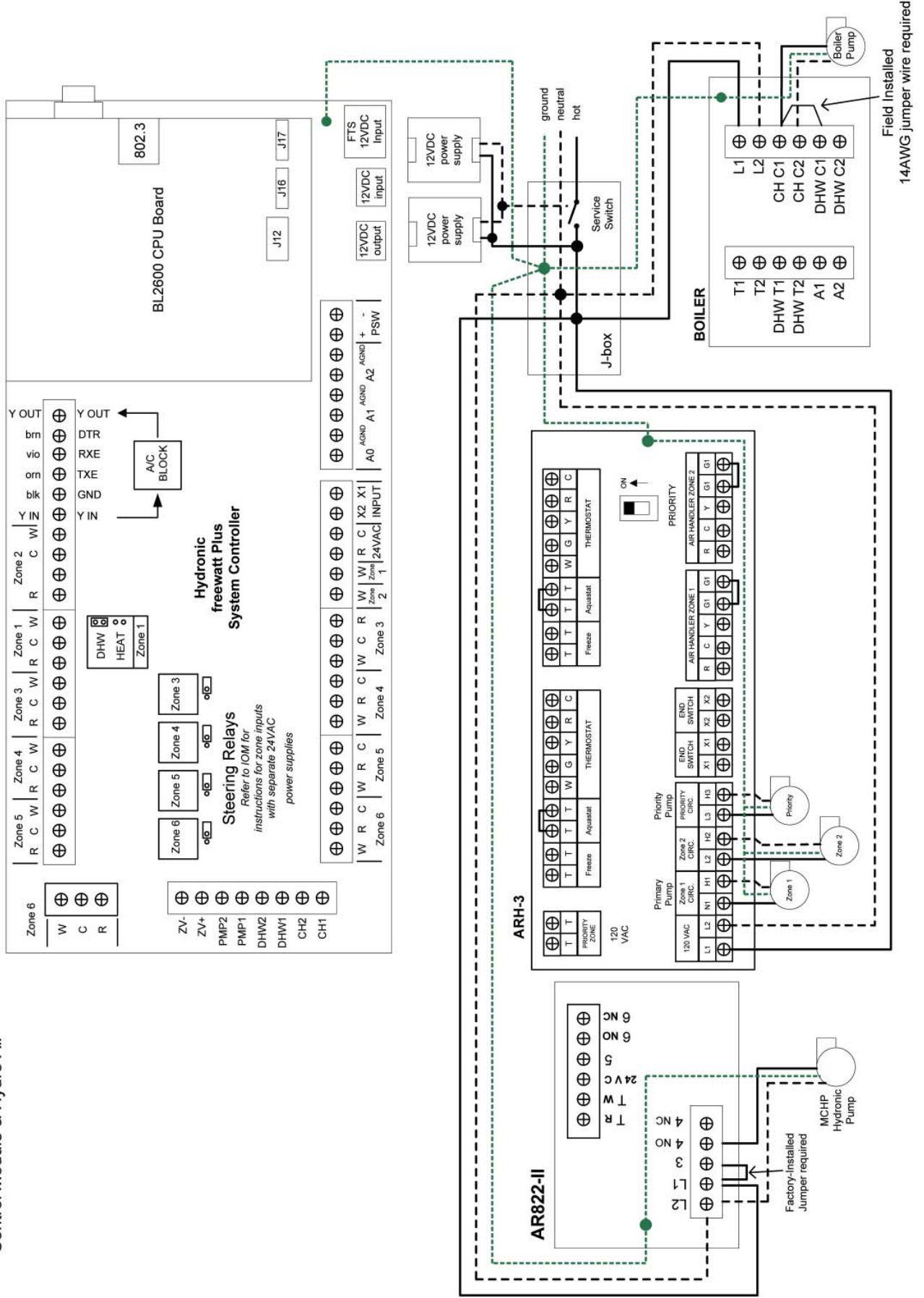
Electrical Schematic 120 VAC WIRING ONLY Hydronic freewatt Plus System, HDJ Control Module & Zone Pumps



HDJ 120 VAC WRING ONLY - CONTROL MODULE & HYDRO AIR

Electrical Schematic 120 VAC WIRING ONLY

Hydronic freewatt Plus System, HDJ
Control Module & Hydro Air

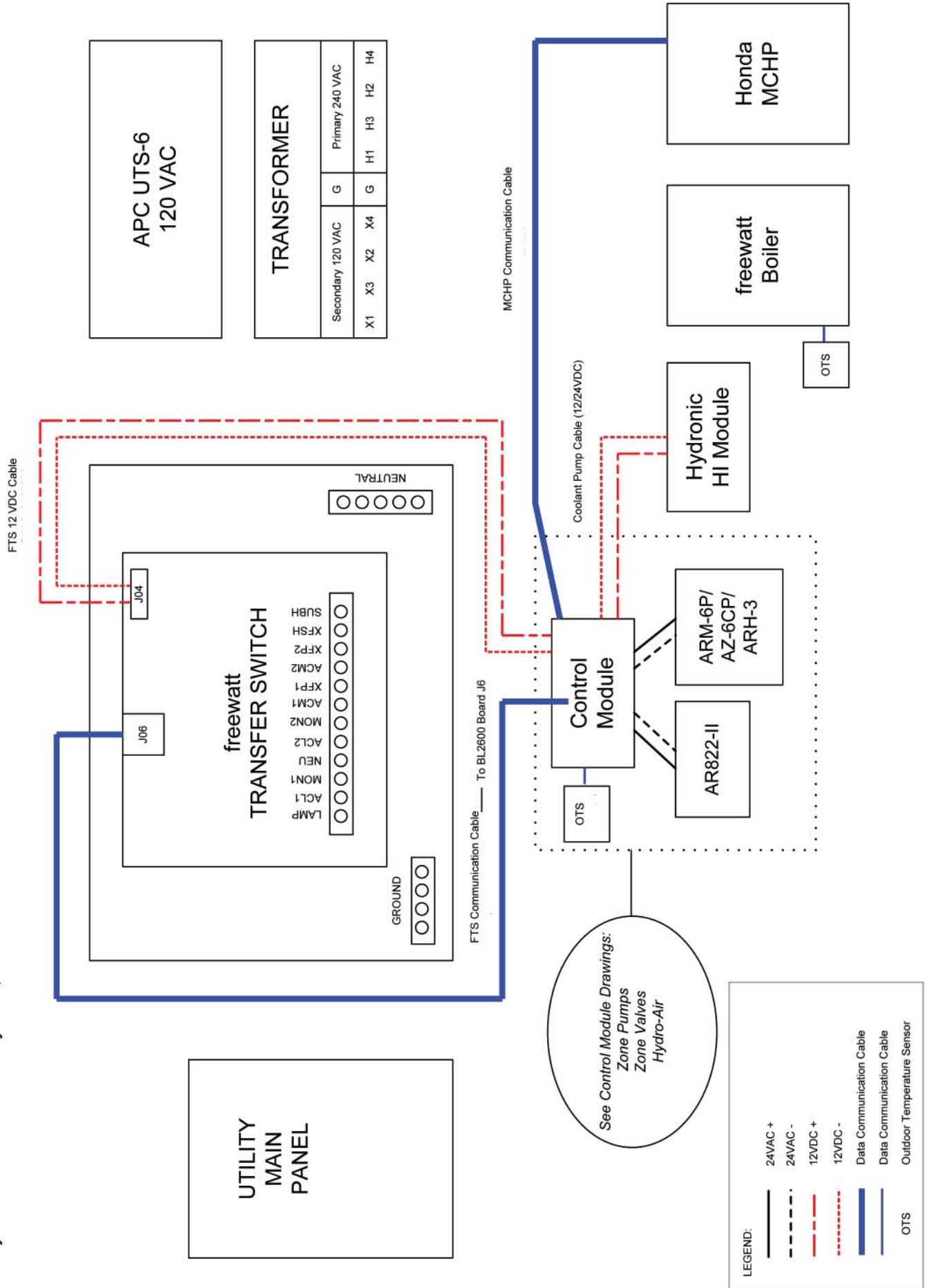


Electrical Schematic

LOW VOLTAGE WIRING ONLY

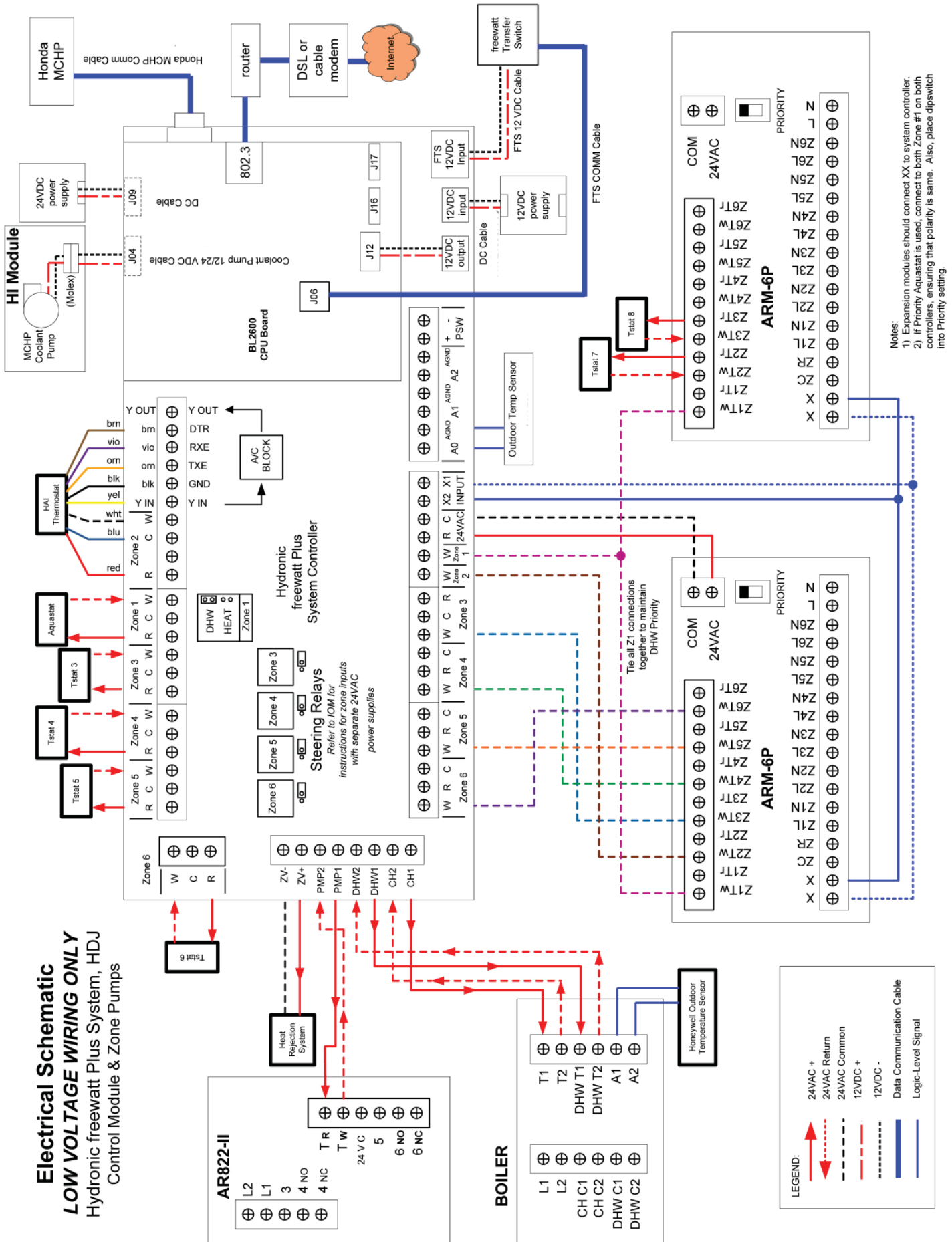
Hydronic freewatt Plus System, HDJ

HDJ LOW VOLTAGE WIRING ONLY

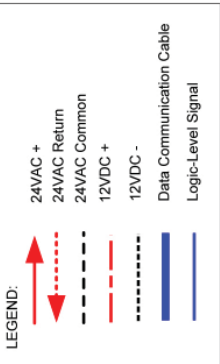


HDJ LOW VOLTAGE ONLY WIRING - CONTROL MODULE & ZONE PUMPS

Electrical Schematic LOW VOLTAGE WIRING ONLY Hydronic freewatt Plus System, HDJ Control Module & Zone Pumps

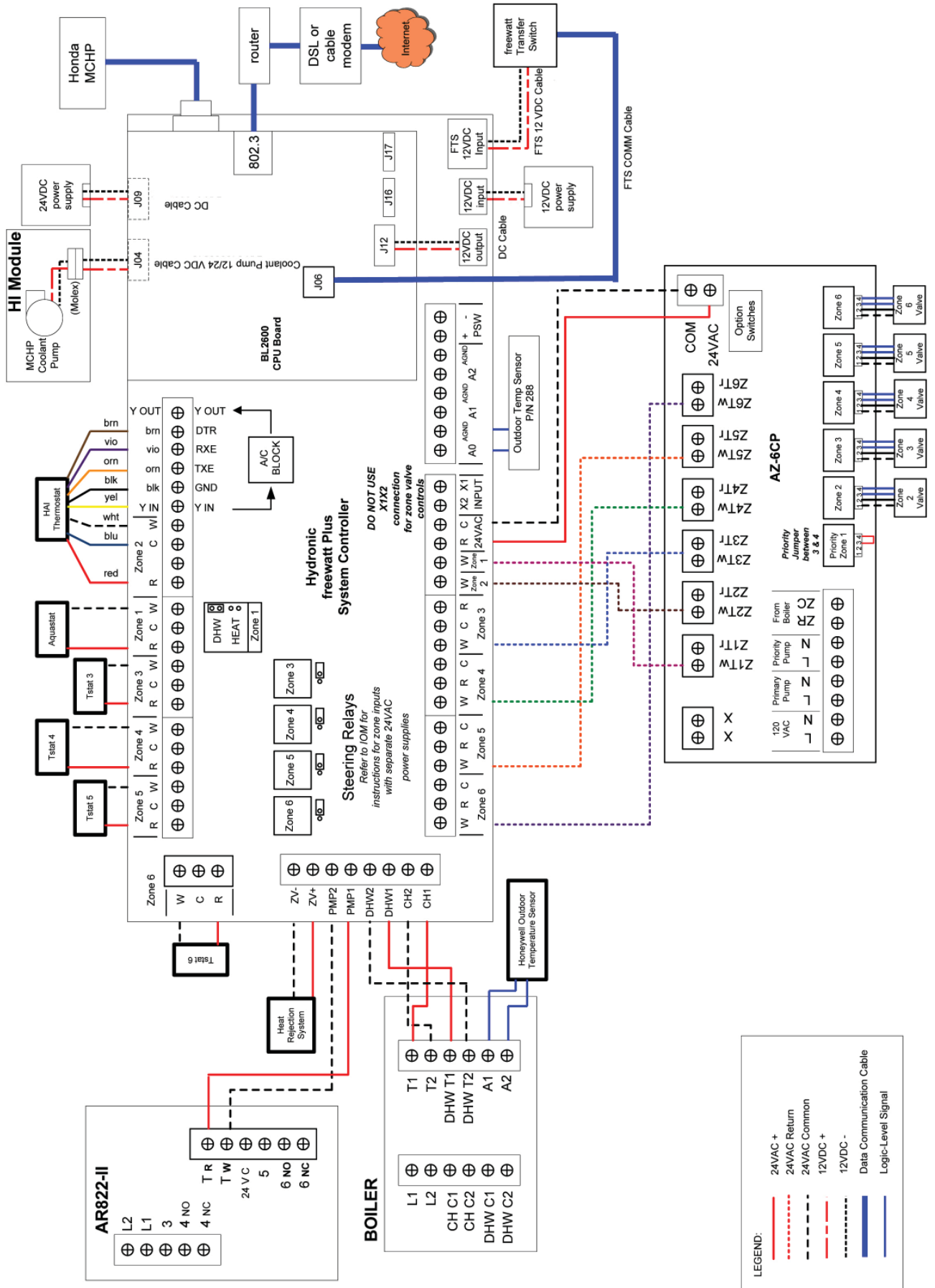


Notes:
 1) Expansion modules should connect XX to system controller.
 2) If Priority Aquastat is used, connect to both Zone #1 on both controllers, ensuring that polarity is same. Also, place dipswitch into Priority setting.

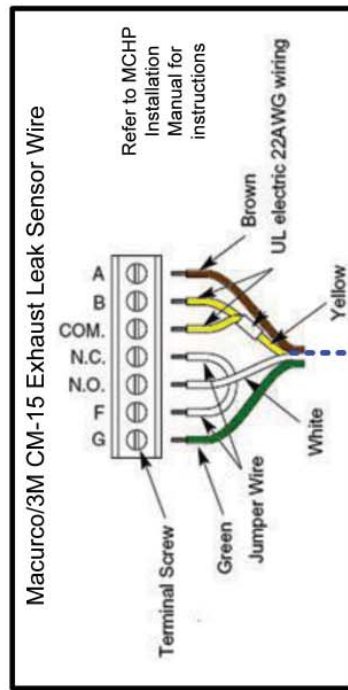


HDJ LOW VOLTAGE ONLY WIRING - CONTROL MODULE & ZONE VALVES

Electrical Schematic LOW VOLTAGE WIRING ONLY Hydronic freewatt Plus System, HDJ Control Module & Zone Valves



Electrical Schematic MCHP LOW VOLTAGE WIRING Hydronic freewatt Plus System, HDJ



Note:
CM-15 should be mounted approximately 5ft above floor level and at least 5ft away from a fuel gas burning appliance.

