



## **ELECTRIC FURNACE ECF3**

10KW, 15KW, 18KW,  
20KW, 23KW, 27KW

### **REPLACEMENT PARTS AND OPTIONAL KITS**

#### Ordering Instructions

Order Parts through your nearest supplier.

When ordering parts, obtain Model Number and Serial Number from data plate on your boiler.

Include following information when ordering.

Part Number\_\_\_\_\_

Part Description\_\_\_\_\_

Boiler Model Number\_\_\_\_\_

Boiler Serial Number\_\_\_\_\_



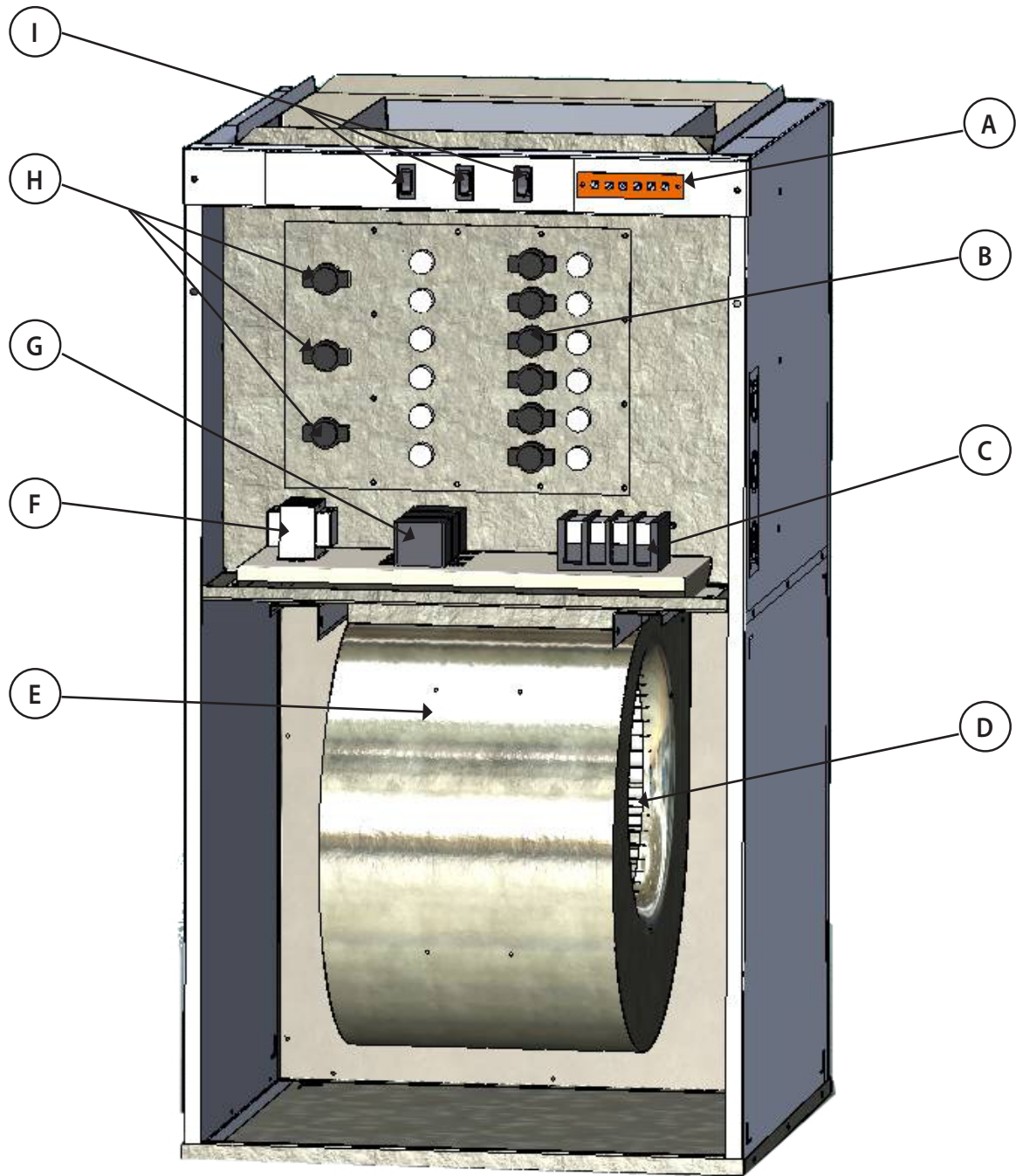
An ISO 9001-2008 Certified Company

2201 Dwyer Ave  
Utica, NY 13501

Phone: (315) 797-1310

[www.ecrinternational.com](http://www.ecrinternational.com)

# MAJOR COMPONENT LISTING



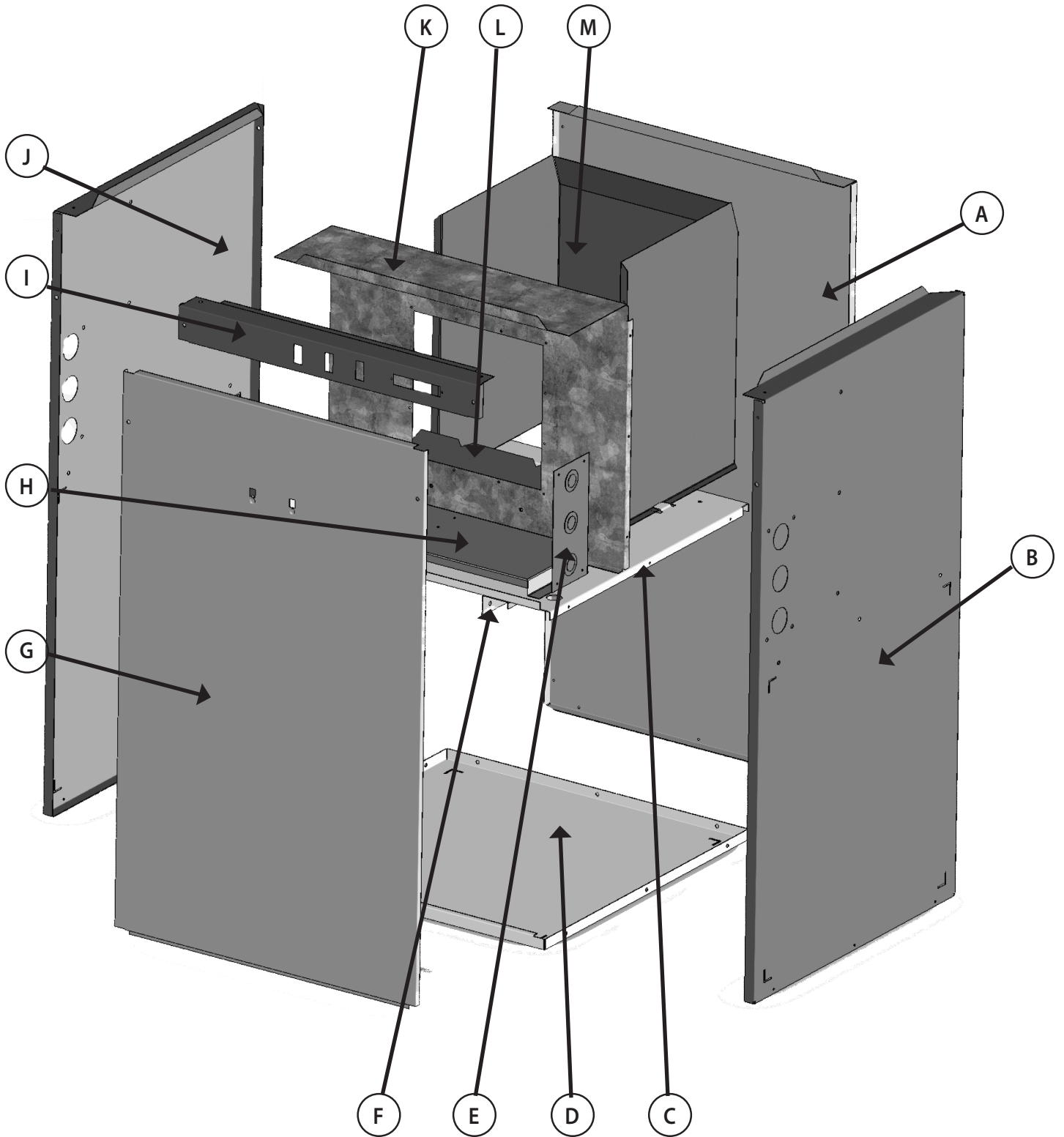
## MAJOR COMPONENT LISTING

Key	Description	ECF3-10	ECF3-15	ECF3-18	ECF3-20	ECF3-23-3	ECF3-23-5	ECF3-27
A	Thermostat Strip	240008483	240008483	240008483	240008483	240008483	240008483	240008483
B	Limit Switch 165°F	240008561	240008561	240008561	240008561	240008561	240008561	240008561
C	Terminal Block	240008555	240008555	240008555	240008556 (2)	240008556 (2)	240008556 (2)	240008556 (2)
		---	---	---	240008557	240008557	240008557	240008557
†*	Complete Blower Assembly Kit	550002205	550002205	550002205	550002205	550002205	550002206	550002206
D	Blower Motor, 1/3 HP	102000172	102000172	102000172	102000172	102000172	---	---
	Blower Motor, 3/4 HP	---	---	---	---	---	102000173	102000173
E	Blower 10-8	30261	30261	30261	30261	30261	---	---
	Blower 12-10T	---	---	---	---	---	30095	30095
F	Transformer	240008560	240008560	240008560	240008560	240008560	240008560	240008560
G	Blower Relays 24V Coil	240008558	240008558	240008558	240008558	240008558	240008558	240008558
	Blower Relays 240 V Coil	240008559 (2)	240008559 (2)	240008559 (2)	240008559 (2)	240008559 (2)	240008559 (2)	240008559 (2)
H	Sequencer 1	240008562	240008562	240008562	240008562	240008562	240008562	240008562
	Sequencer 2	---	240008563	240010233	240010233	240010233	240010233	240010233
	Sequencer 3	---	---	---	---	240008563	240008563	240010233
I	Control Switches	240000013 (2)	240000013 (3)	240000013 (3)	240000013 (3)	240000013 (3)	240000013 (3)	240000013 (3)
*	Element Bank (Includes B & H & all wires)	240008472	240008473	240008474	240008475	240008476	240008476	240008477
<b>* NOT SHOWN</b>								

### † BLOWER ASSEMBLY - NOT SHOWN

† Complete Blower Assembly Kits 550002205 & 550002206 include items listed here plus blower and motor shown above	Description	550002205	550002206
	Motor Mounting Band, TR5868	17811	17811
	Motor Mounting Arms, TR6884B, (3 per unit)	26251	---
	Motor Mounting Arms, TR7624B, (3 per unit)	---	240006535
	Capacitor, 5mfd@370vac	27741	---
	Capacitor, 20mfd@370vac	---	27745
	Capacitor Strap	27761	27761
	Blower Slide Rail (2 per unit)	109008203	109008204

# JACKET ASSEMBLY



## JACKET ASSEMBLY

Key	Description	ECF3-10	ECF3-15	ECF3-18	ECF3-20	ECF3-23-3	ECF3-23-5	ECF3-27
<b>A</b>	Rear Panel	109007664AD	109007664AD	109007664AD	109007664AD	109007664AD	109007664AD	109007664AD
<b>B</b>	Right Side Panel	109007663AD	109007663AD	109007663AD	109007663AD	109007663AD	109007663AD	109007663AD
<b>C</b>	Blower Division Panel	109007667	109007667	109007667	109007667	109007667	109007667	109007667
<b>D</b>	Base Panel	109007661	109007661	109007661	109007661	109007661	109007661	109007661
<b>E</b>	Knock Out Plate (2)	109008206	109008206	109008206	109008206	109008206	109008206	109008206
<b>F</b>	Blower Support Rail (2)	109007668	109007668	109007668	109007668	109007668	109007668	109007668
<b>G</b>	Door Panel Kit	550002210	550002210	550002210	550002210	550002210	550002210	550002210
<b>H</b>	Control Plate	109008205	109008205	109008205	109008205	109008205	109008205	109008205
<b>I</b>	Top Panel 10KW	109007757AD	---	---	---	---	---	---
	Top Panel 15-27KW	---	109007659AD	109007659AD	109007659AD	109007659AD	109007659AD	109007659AD
<b>J</b>	Left Side Panel	109007665AD	109007665AD	109007665AD	109007665AD	109007665AD	109007665AD	109007665AD
<b>K</b>	Inner Front - Canada	109007666	109007666	109007666	109007666	109007666	109007666	109007666
	Inner Front - US	109008399	109008399	109008399	109008399	109008399	109008399	109008399
<b>L</b>	Air Baffle 27KW	---	---	---	---	---	---	109007758
<b>M</b>	Air Baffle	109007660	109007660	109007660	109007660	109007660	109007660	109007660

## **MISCELLANEOUS PARTS**

Description	PART NUMBER
Ground Lug	L9
Screw - 1/4-20 x 1-1/4m HH [Used for motor mounting band with a lock nut- 1/4",20]	Field sourced when needed for replacement
Screw - 1/4-20 x 1-1/4, Type 23, HH [Used for mounting motor arms to blower]	Field sourced when needed for replacement
Screw - 1/4-20 x 1/2, Type 1, HWS [Used for mounting blower rails to blower]	Field sourced when needed for replacement
Screw - #8 x 1/2", Type B, HWS [Used for thermostat terminal strip and knockout plates]	Field sourced when needed for replacement
Screw - #10 x 1/2", Type A, HWS [Used everywhere else]	Field sourced when needed for replacement
Installation Operation Manual	www.ecrinternational.com

## **OPTIONAL KITS**

Description	PART NUMBER
Optional Filter Frame Kit - all models	550002173
Replacement Air Filter, 20 x 20 x1 - all models	2180032

## **MISCELLANEOUS PARTS**

This page intentionally left blank.



An ISO 9001-2008 Certified Company

2201 Dwyer Ave  
Utica, NY 13501  
Phone: (315) 797-1310  
[www.ecrinternational.com](http://www.ecrinternational.com)