

# ECR97 CONTROL MODULE REPLACEMENT KIT #550002199 INSTRUCTIONS

## **WARNING**

Following procedures must be performed by qualified service agent. Boiler owner shall not attempt these steps.

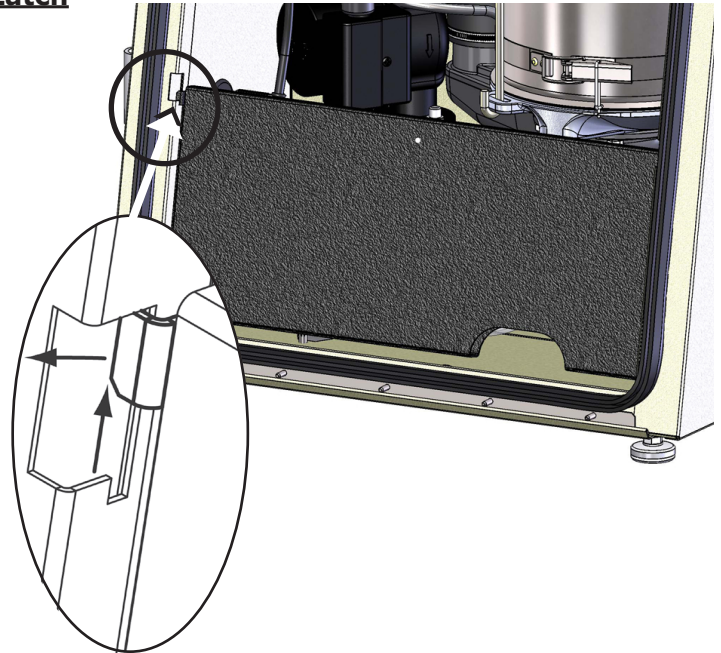
## **NOTICE**

Replacement of control will result in all operating parameters to return to factory default settings. Record all user parameters before replacing existing control. Refer to chart listed in Section 9-3 "Start Up Procedure" of boiler's Installation, Operation & Maintenance Manual. Replacement controls are universal to all models. Boiler firing rate will need to be selected on first use.

## **NOTICE**

Verify proper operation after servicing.

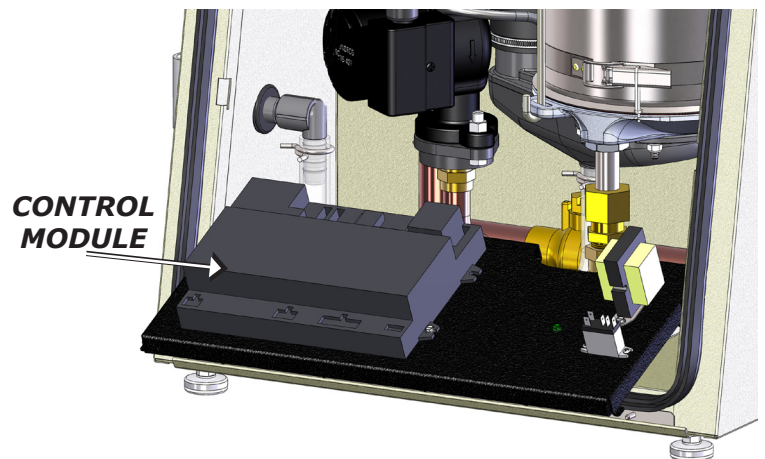
**Figure 1 - Internal Access Panel Closed with Latch**



### **Control Module Replacement Instructions:**

1. Tools Required: 1/4" nut driver or slotted screwdriver.
2. Follow instructions To Turn Off Gas to Appliance found on Operating Instructions label inside jacket or in Installation, Operation & Maintenance Manual. Verify all electrical power to boiler is turned off.
3. Remove jacket from boiler. Grasp front cover at lip behind plastic smoke-colored control cover. Pull forward to release snap action latches. Lift jacket up and off bottom support rest.
4. Lift access panel up slightly to clear top tab from notch in jacket then fold access panel down. See Figures 1 and 2.
5. Remove wire harness connectors from control module.
6. Remove (2) 8-32x3/8 screws holding control module in place. See Figure 3.
7. Attach new control module with (2) 8-32x3/8 screws. See Figure 3.
8. Attach wire harness connectors to new control module. All wire harness connectors are keyed to their socket and cannot be interchanged. Socket 14 is empty.
9. Fold access panel back in place.
10. Reattach jacket.
11. Restore electrical power to boiler. Control Module will request user to choose firing rate of boiler after completing self diagnosis. Use +/- keys to select appropriate model, press enter.

**Figure 2 - Internal Access Panel Open**



ISO 9001-2008 Certified Company  
ECR International, Inc.  
2201 Dwyer Ave.  
Utica, NY 13501



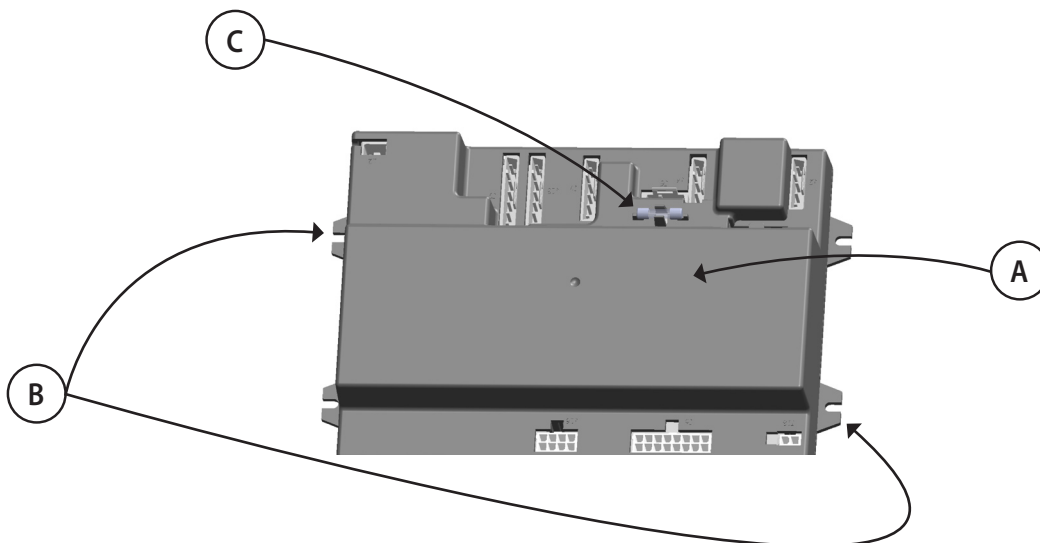
P/N 240008600, Rev. A [10/2010]

12. Follow start-up instructions in Installation, Operation and Maintenance manual to restore and verify operation.

**NOTICE**

If you incorrectly select boiler model, reset control by holding 'Reset', 'Up, and 'Down" keys simultaneously before powering boiler. Hold keys down for 30 seconds while boiler control boots up.

**Figure 3 - Control Module**



<b>ECR97 Control Module Kit #550002199 - Parts List</b>			
ITEM	DESCRIPTION	PART #	QTY
A	Control Module	-	1
B	Screw, 8-32x3/8, HWH, Slot Self Tapping	-	2
C	Fuse, 3.15A ac, 250V, Slo-Blo Glass 5x20mm (Additional fuse is included with control module on Boiler)	240008665	1
*	Instructions	240008600	1
* Not Shown			

Check our website frequently for updates: [www.ecrinternational.com](http://www.ecrinternational.com)