

IMPORTANT: THIS MANUAL MUST BE KEPT NEAR THE FURNACE FOR FUTURE REFERENCE!!

NORDYNE INC.

Oil Fired Warm Air Furnaces

555624A O4LD-091A-12-RA (Lowboy Model)

Installation, Operation and Maintenance Manual
Oil Fired Warm Air Furnaces

O4LD-091A-12-RA (Lowboy Model)
 O4LD-091A-14-RA-DV (Lowboy Model)

FOR YOUR SAFETY:
 Do not store or use gasoline or other flammable liquids or vapors in the vicinity of this, or any other appliance.

ALL INSTALLATIONS MUST MEET ALL LOCAL, PROVINCIAL/STATE, AND FEDERAL CODES WHICH MAY DIFFER FROM THIS MANUAL

NORDYNE INC.


 Read this complete manual before beginning installation. These instructions must be kept with the furnace for future reference.
 240005235 Rev B 01/2009

Installation, Operation & Maintenance Manual 240005235 REV B [1/2009]

OIL FIRED WARM AIR FURNACE

WARNING
 IF THE INFORMATION IN THESE INSTRUCTIONS IS NOT FOLLOWED EXACTLY, A FIRE OR EXPLOSION MAY RESULT, CAUSING PROPERTY DAMAGE, PERSONAL INJURY OR LOSS OF LIFE.


WARNING
 FOR YOUR SAFETY
 DO NOT STORE OR USE GASOLINE OR OTHER FLAMMABLE VAPORS AND LIQUIDS, OR OTHER COMBUSTIBLE MATERIALS IN THE VICINITY OF THIS OR ANY OTHER APPLIANCE.

IMPROPER INSTALLATION, ADJUSTMENT, ALTERATION, SERVICE OR MAINTENANCE CAN CAUSE INJURY, PROPERTY DAMAGE OR LOSS OF LIFE. REFER TO THIS MANUAL.

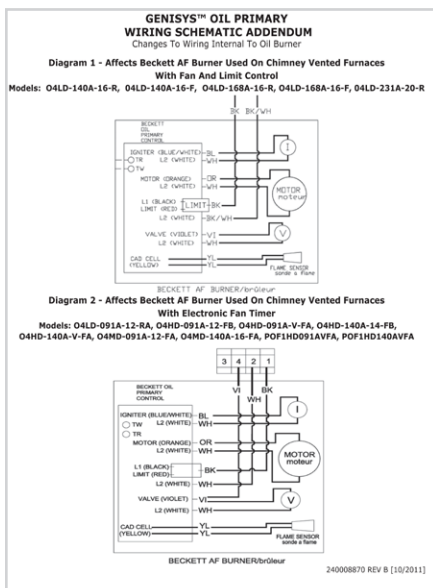
INSTALLATION AND SERVICE MUST BE PERFORMED BY A QUALIFIED INSTALLER, SERVICE AGENCY OR THE GAS SUPPLIER.

NORDYNE, INC.
 8000 PHOENIX PARKWAY
 O'FALLON MISSOURI 63366

HOMEOWNER INSTRUCTION MANUAL


 PIN 240006451, Rev. A [11/06]

User's Information Manual 240006451 REV A [11/2006]



Wiring Addendum 240008870 REV B [10/2011]

Envelope Assy Master 240008726 REV C, [10/2011]