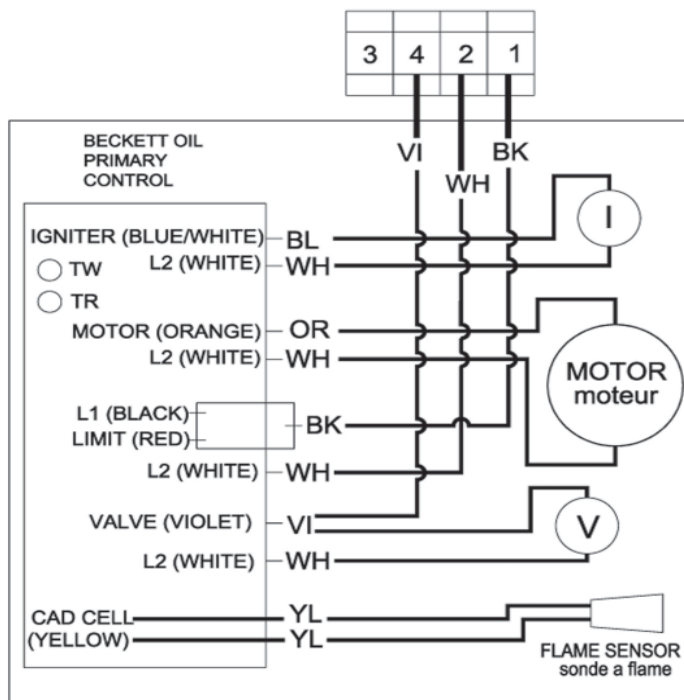


# GENISYS™ OIL PRIMARY WIRING SCHEMATIC ADDENDUM I

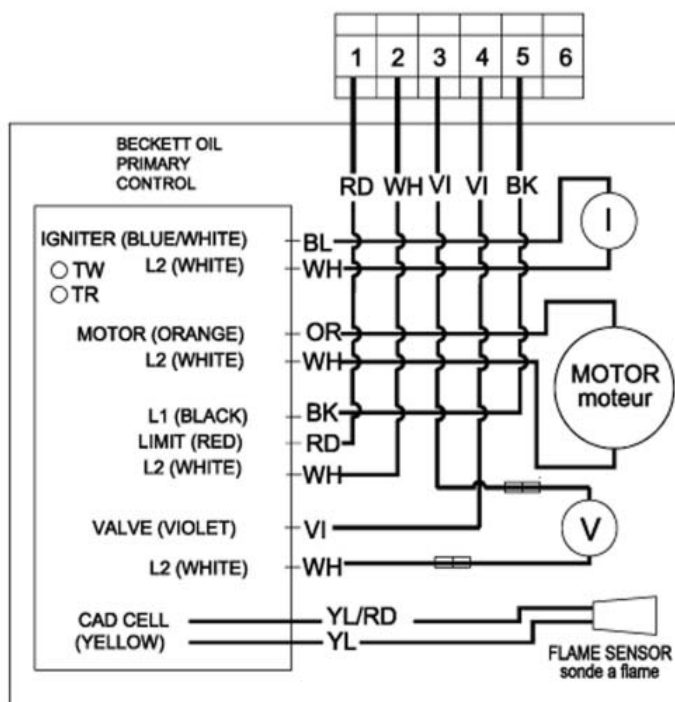
\*AFFECTS ONLY BECKETT BURNERS

Changes to Wiring Internal to Oil Burner

**Diagram 1 - Affects Beckett AF Burner Used On Chimney Vent Furnaces With Electronic Fan Timer. Models: HML(V), BML(V), HTL(V), WML(V), MPL**



**Diagram 2 - Affects Beckett AFII Burner Used On Direct Vent Furnaces With Electronic Fan Timer. Models: HML(V)-B2U and BML(V)-B2U**



**Diagram 3 - Affects Beckett AFII Burner Used On Direct Vent Furnaces With Electronic Fan Timer. Models: WML(V)-B2U and MPL-B2U**

