

GENISYS™ OIL PRIMARY WIRING SCHEMATIC ADDENDUM

*AFFECTS ONLY BECKETT BURNERS used on Models BCL/BFL
Changes To Wiring Internal To Oil Burner

Diagram 1 - Affects Beckett AF Burner Used On Chimney Vent Furnaces With Fan Limit Control - Models BCL and BFL

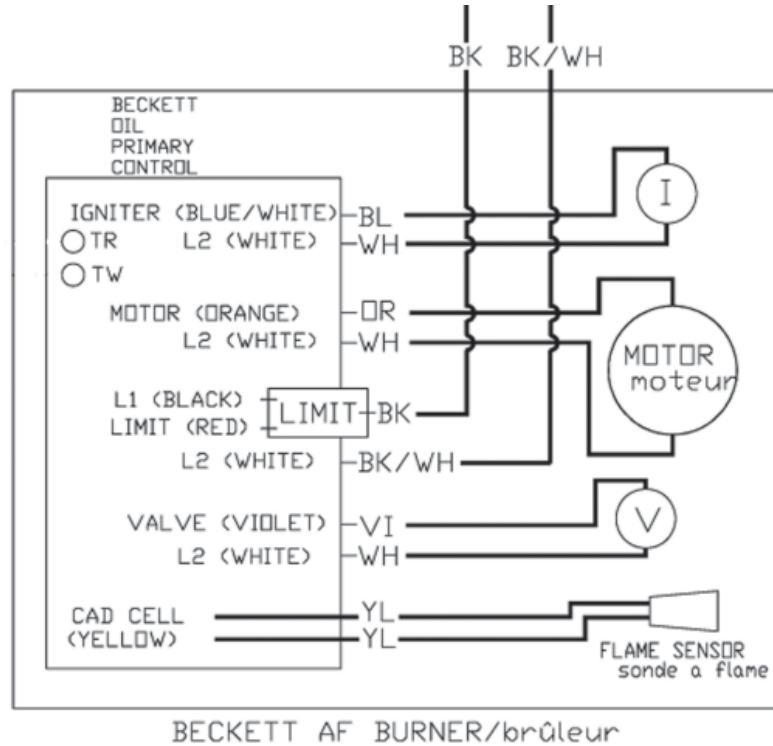


Diagram 2 - Affects Beckett AFII Burner Used On Direct Vent Furnaces With Fan Limit Control - Models BCL-B2U and BFL-B2U

