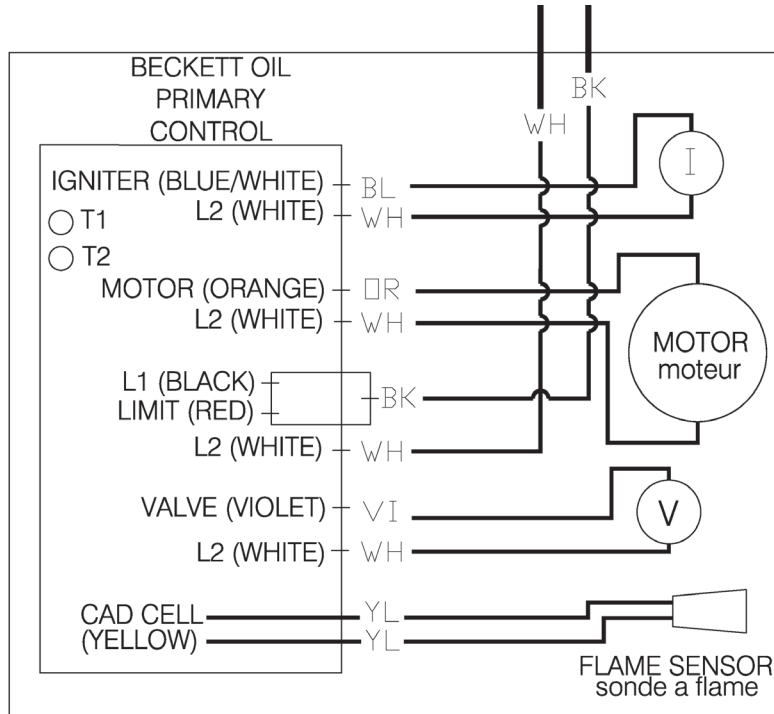


GENISYS™ OIL PRIMARY WIRING SCHEMATIC ADDENDUM

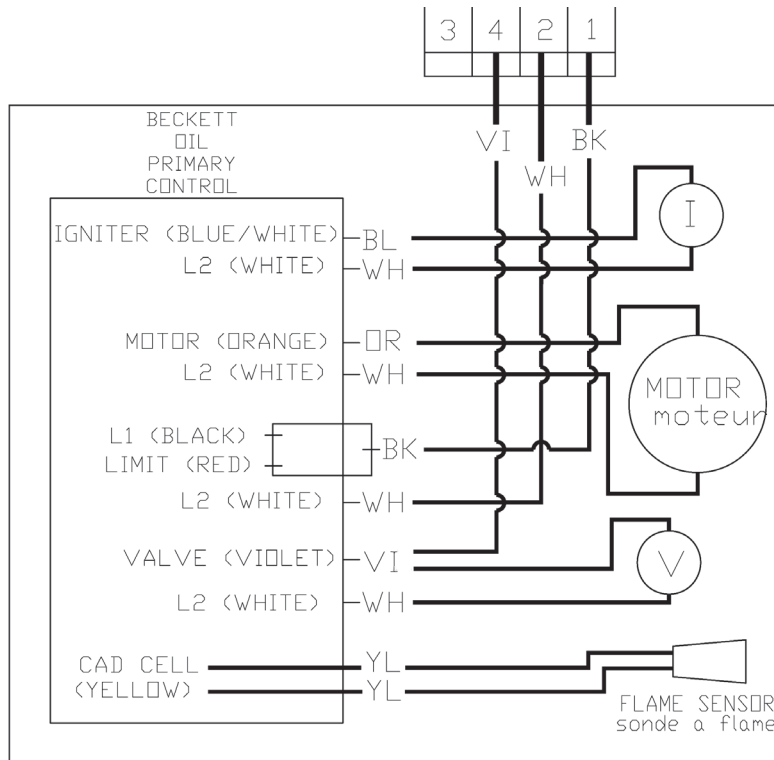
Changes To Wiring Internal To Oil Burner

Diagram 1 - Affects Beckett AF Burner used on MOST O4LD MODELS
(see following diagrams for exceptions)



BECKETT AF BURNER/brûleur

**Diagram 2 - Affects AF Beckett Burner used on O4MD; POF1HD,
O4LD-098A-12 RA, and MOST O4HD MODELS**
(see following diagrams for exceptions)



**Diagram 3 - Affects Beckett AFII Burner used on Nordyne Models
O4HD-091A-14-FA-DV, O4LD-091A-14-RA-DV ONLY**

