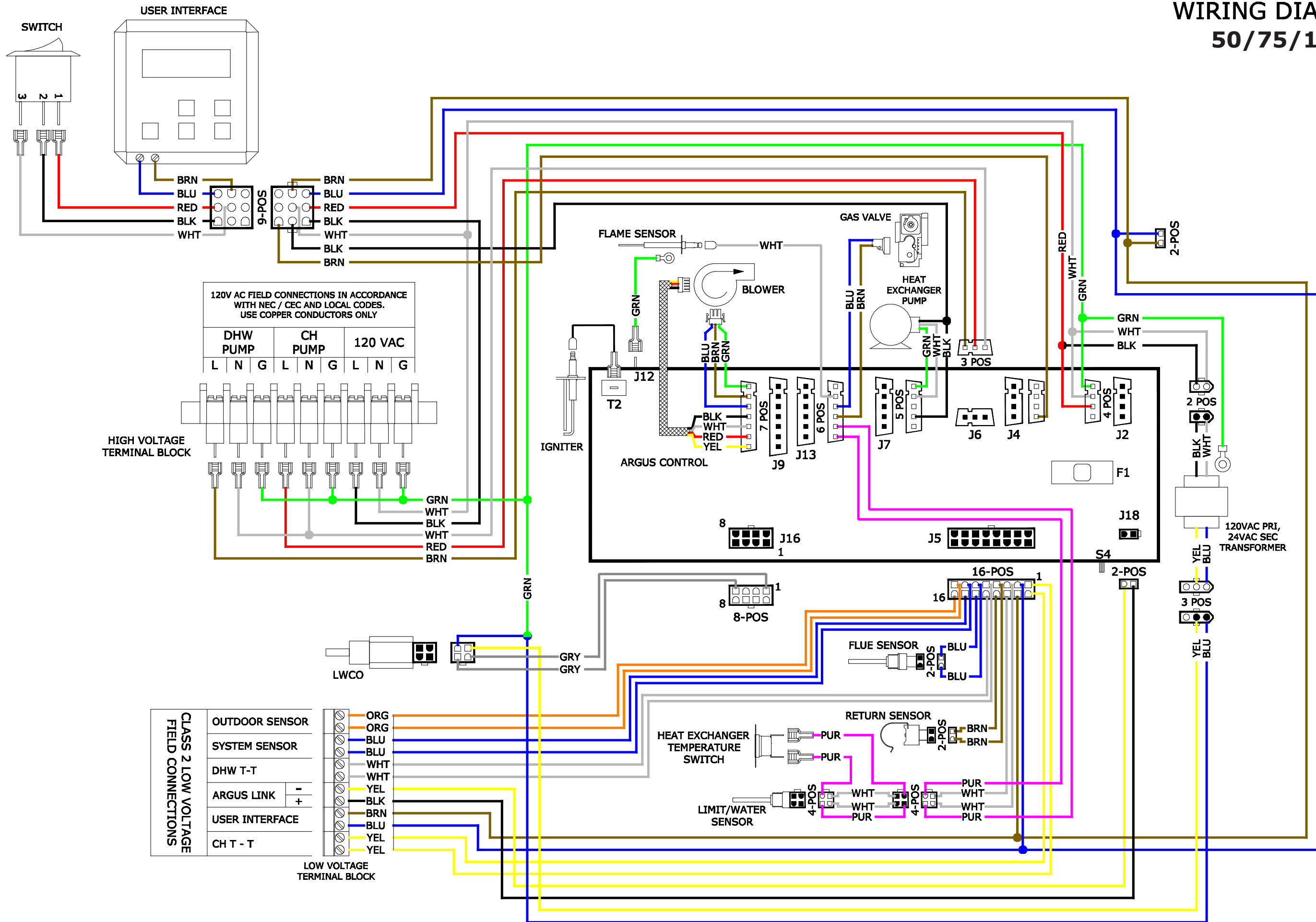


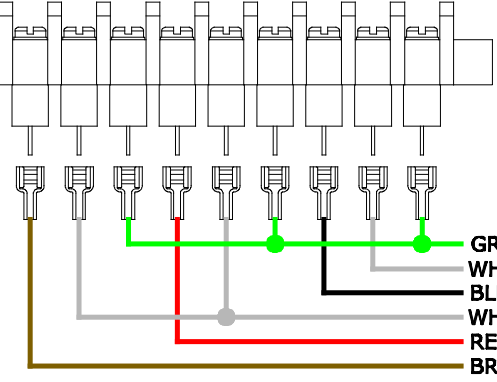
WIRING DIAGRAM 50/75/100



120V AC FIELD CONNECTIONS IN ACCORDANCE WITH NEC / CEC AND LOCAL CODES. USE COPPER CONDUCTORS ONLY

DHW PUMP			CH PUMP			120 VAC		
L	N	G	L	N	G	L	N	G
BRN	BLU	RED	BRN	BLU	RED	BLK	WHT	BRN

HIGH VOLTAGE TERMINAL BLOCK



CLASS 2 LOW VOLTAGE FIELD CONNECTIONS

OUTDOOR SENSOR	ORG
SYSTEM SENSOR	BLU
DHW T-T	WHT
ARGUS LINK	YEL
USER INTERFACE	BRN
CH T - T	BLU
	YEL
	YEL

LOW VOLTAGE TERMINAL BLOCK

LADDER DIAGRAM 50/75/100

