



OMGB SERIES II

Cast Iron Gas Fired Boilers
For Forced Hot Water

- Models**
- OMGB-50J**
 - OMGB-75J**
 - OMGB-100J**
 - OMGB-125J**
 - OMGB-150J**
 - OMGB-170J**
 - OMGB-200J**

PARTS AND OPTIONAL ACCESSORIES

Ordering Instructions

Order Parts through your nearest supplier.

When ordering parts, obtain Model Number and Serial Number from data plate on your boiler.

Include following information when ordering.

Part Number _____

Part Description _____

Boiler Model Number _____

Boiler Serial Number _____

Check our website frequently for updates: www.ecrinternational.com

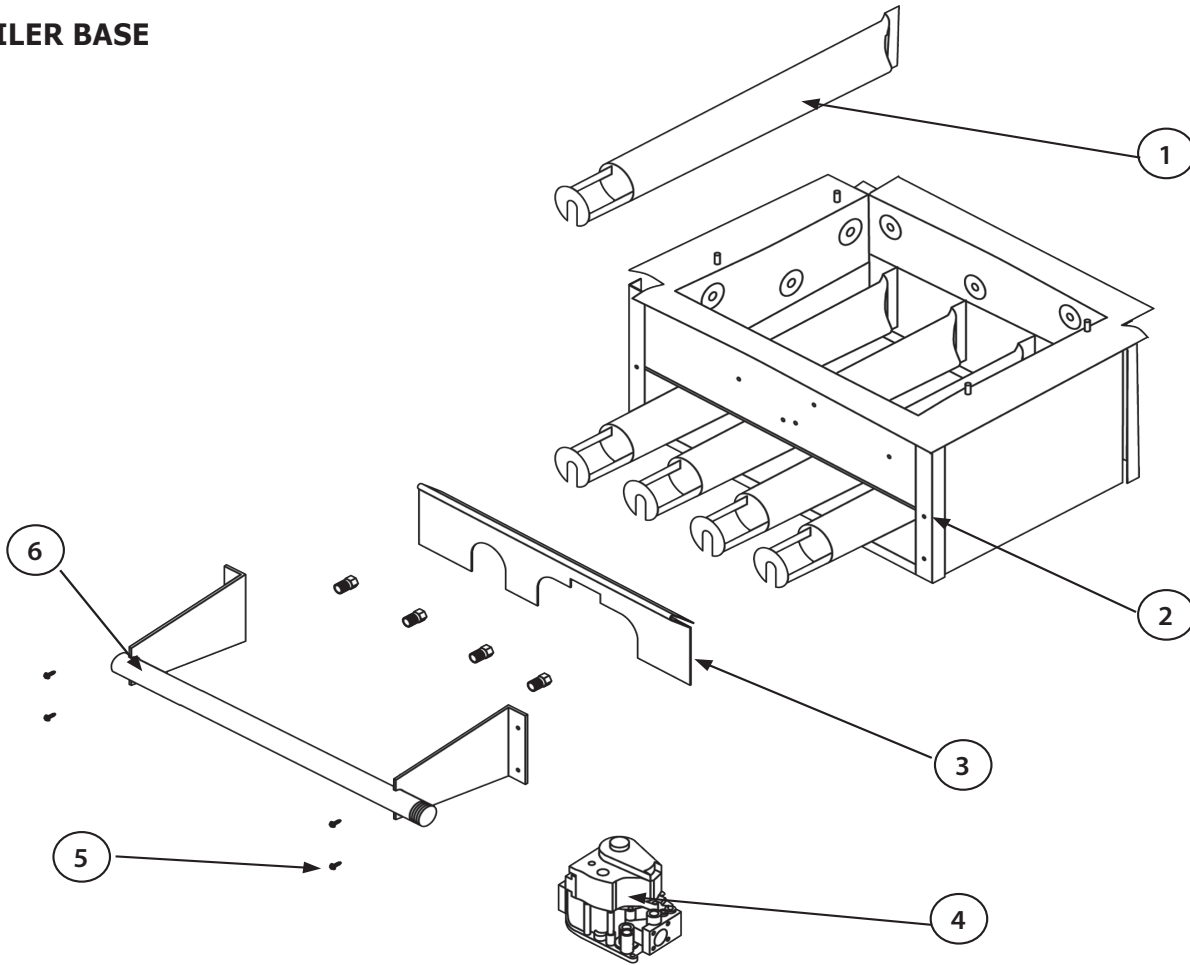


ECR international
EST. 1928
A Family of Heating & Cooling Brands.

Manufactured by:
ECR International, Inc.
2201 Dwyer Avenue, Utica NY 13501
web site: www.ecrinternational.com

REPLACEMENT PARTS - BASE

BOILER BASE



Item #	Description	Part #	Qty.	Item #	Description	Part #	Qty.
1	BURNER TUBE 1 1/2" - 50	240005543	1	5	SCREW ¼ - 20 X ½ SELF TAP	HW-005.01	4
	BURNER TUBE 1 1/2" - 75, 100		2	6	MANIFOLD - 50	356-2-1.01	1
	BURNER TUBE 1 1/2" - 125, 150		3		MANIFOLD - 75 & 100	356-2-1.02	
	BURNER TUBE 1 1/2" - 170, 200		4		MANIFOLD - 125 & 150	356-2-1.03	
		MANIFOLD - 170 & 200	356-2-1.04				
2	BASE W/INSUL - 50	5611601	1	7	ORIFICE 3.2mm NAT - 50, 100, 150, 200,	240007406	*
	BASE W/INSUL - 75, 100	5611602			ORIFICE 2.9mm NAT - 125, 170	240007403	
	BASE W/INSUL - 125, 150	3001823			ORIFICE 2.8mm NAT - 75	240007402	
	BASE W/INSUL - 170, 200	5611604			ORIFICE #45 LP - 50	3551520	
3	BURNER DOOR - 50	109009071	1		ORIFICE #47 LP - 100, 150, 200	355-1-5.04	
	BURNER DOOR - 75, 100	109009072			ORIFICE #49 LP - 125 & 170	355-1-5.06	
	BURNER DOOR - 125, 150	109009073			ORIFICE #50 LP - 75	355-1-5.07	
	BURNER DOOR - 170, 200	109009074			NOT SHOWN	COMBUSTIBLE BASE FLOORING - 50	325-2-8.01
4	GAS VALVE VR8204H - 50 - 150 SPARK NAT	VG01101	1	COMBUSTIBLE BASE FLOORING - 75, 100		325-2-8.02	
	GAS VALVE VR8304H4 - 170-200 SPARK NAT	VG01103		COMBUSTIBLE BASE FLOORING - 125, 150		325-2-8.03	
	GAS VALVE VR8304 - 50-200 SPARK LP	VG01104		COMBUSTIBLE BASE FLOORING - 170, 200		325-2-8.04	

* Orifice Quantities: Model 50 - qty 1; Model 75 & 100- qty 2; Model 125 & 150- qty 3; Model 170 & 200 - qty 4

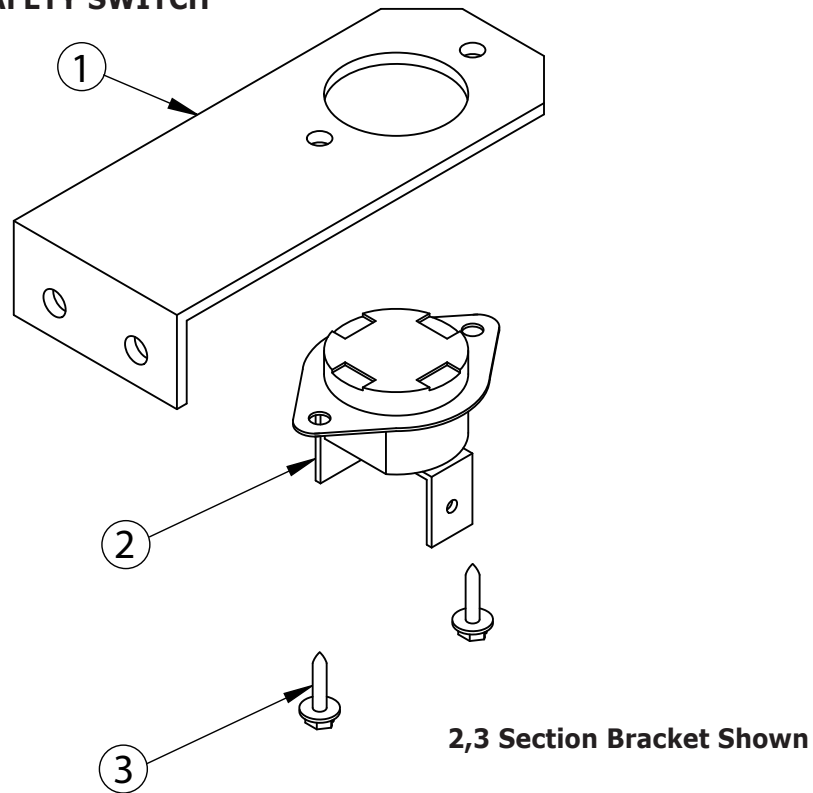
REPLACEMENT PARTS - HEAT EXCHANGER

HEAT EXCHANGER

Fully Assembled Heat Exchangers	
912000001	Heat Exchanger (2 Section)
912000002	Heat Exchanger (3 Section)
912000003	Heat Exchanger (4 Section)
912000004	Heat Exchanger (5 Section)

ROLLOUT & BLOCKED VENT SAFETY SWITCH

ROLLOUT & BLOCKED VENT SAFETY SWITCH



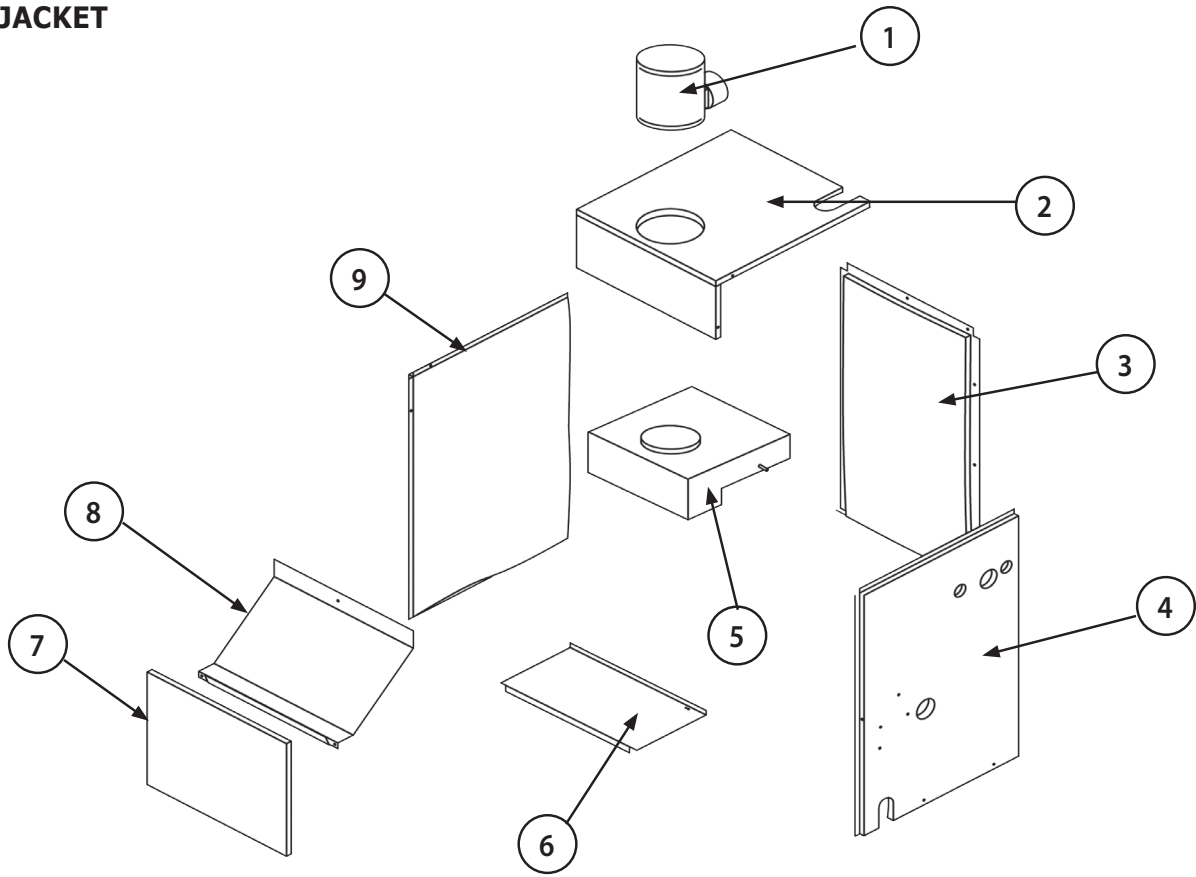
Item #	Description	Part #	Qty.
1	2, 3 SECTION TEMP. SENSOR BRACKET (Rollout)	32611001	1
	4 SECTION TEMP. SENSOR BRACKET (Rollout)	109008517	1
	5 SECTION TEMP. SENSOR BRACKET (Rollout)	109008518	1
2	CONTROL-FIXED TEMPERATURE THERMO (ROLLOUT SWITCH AND BLOCKED VENT SAFETY SWITCH)	AQ02101	1
3	SCREW - #6 X ¼ HEX HD	HW06501	2

Rollout switch is located on base; blocked vent safety switch on flue collector.

NOTE: Quantities above are for each switch.

REPLACEMENT PARTS - JACKET

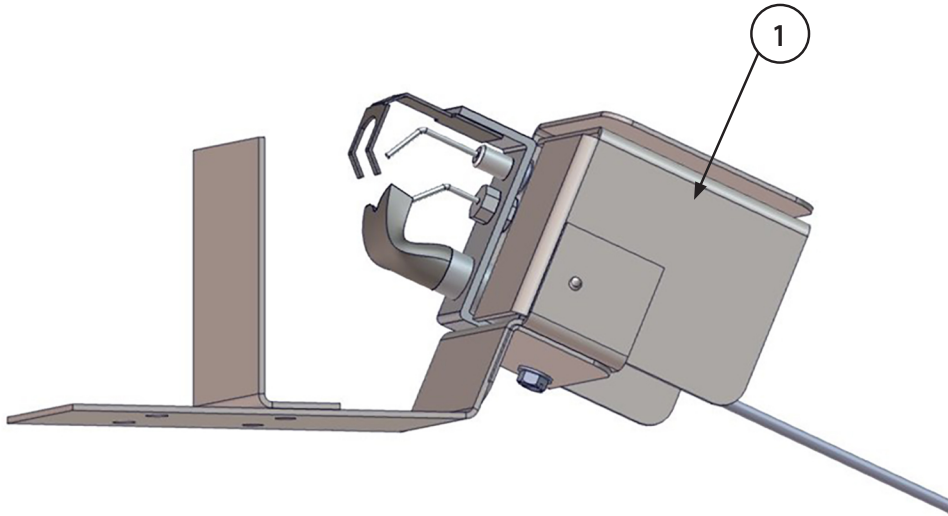
BOILER JACKET



Item #	DESCRIPTION	Part Number (MGB)	Qty.
1	DAMPER 4" 50	240006936	1
	DAMPER 5" 75	240006937	
	DAMPER 6" 100 & 125	240006938	
	DAMPER 7" 150 & 170	240006939	
	DAMPER 8" 200	240006940	
2	PANEL - TOP 50	31621501AC	1
	PANEL - TOP 75 & 100	31621502AC	
	PANEL - TOP 125	31621503AC	
	PANEL - TOP 150	31621504AC	
	PANEL - TOP 170 & 200	31621505AC	
3	PANEL - REAR 50	3162601AC	1
	PANEL - REAR 75 & 100	3162602AC	
	PANEL - REAR 125 & 150	3162603AC	
	PANEL - REAR 170 & 200	3162604AC	
4	PANEL - RIGHT	109008633AD	1
5	FLUE COL 50	3462101	1
	FLUE COL 75	3462108	
	FLUE COL 100	3462102	
	FLUE COL 125	3462107	
	FLUE COL 150	3462103	
	FLUE COL 170	3462109	
	FLUE COL 200	3462104	

Item #	DESCRIPTION	Part Number	Qty.
6	PANEL - BASE 50	3161201AC	1
	PANEL - BASE 75 & 100	3161202AC	
	PANEL - BASE 125 & 150	109008530AC	
	PANEL - BASE 170 & 200	109008531AC	
7	PNL LWR ACCES 50	109008534AC	1
	PNL LWR ACCES 75/100	109008535AC	
	PNL LWR ACCES 125/150	109008536AC	
	PNL LWR ACCES 170/200	109008537AC	
8	DRAFT DEFLECTOR 50	3162501AC	1
	DRAFT DEFLECTOR 75/100	3162502AC	
	DRAFT DEFLECTOR 125/150	3162503AC	
	DRAFT DEFLECTOR 170/200	3162504AC	
9	PANEL - LEFT	3162708AD	1
10	PNL- UPPER ACCESS 50	31621201AC	1
	PNL- UPPER ACCESS 75&100	31621202AC	
	PNL- UPPER ACCESS 125	31621203AC	
	PNL- UPPER ACCESS 150	31621204AC	
	PNL- UPPER ACCESS 170 & 200	31621205AC	

SPARK PILOT

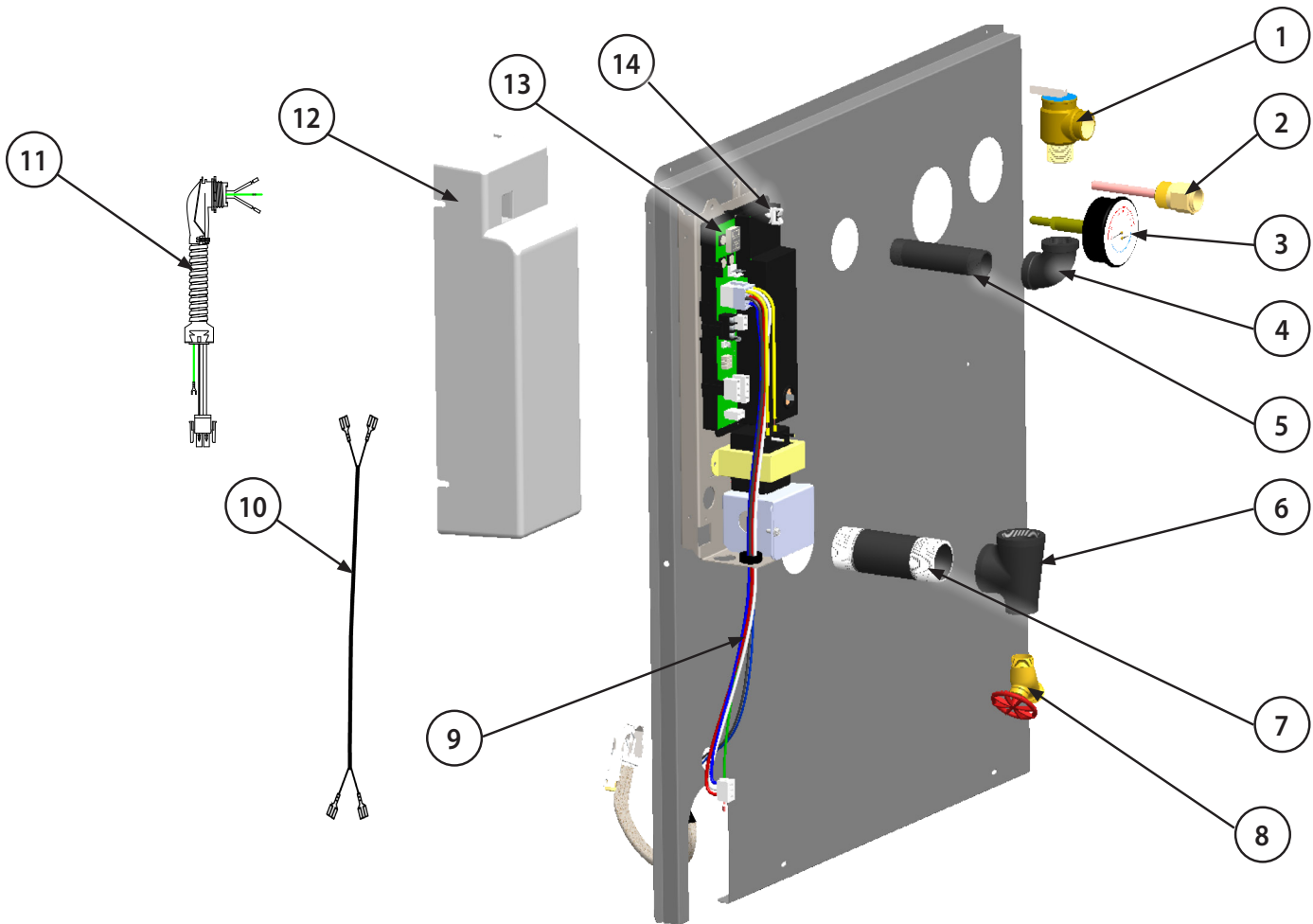


**Spark Pilot Kit - Natural Gas & LP/Propane
550003057**

Item	Description	Qty.
1	PILOT AND BRACKET ASSEMBLY	1
*	BRACKET SCREW	2
*	LP ORIFICE - BBR 11	1
*	COMPRESSION FITTING	1

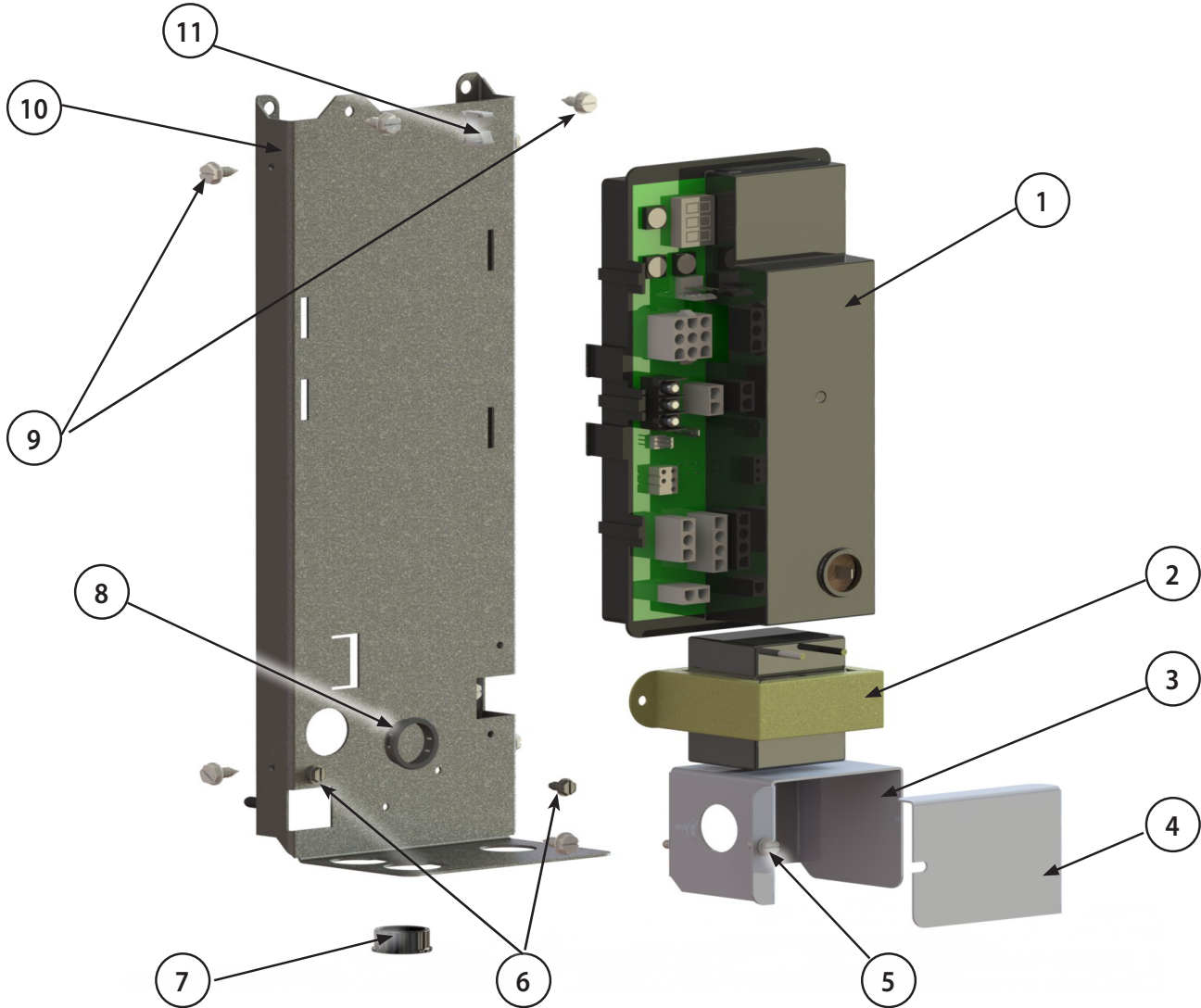
* Not Shown

PIPING & CONTROLS



ITEM	DESCRIPTION	P/N	QTY.
1	RELIEF VALVE 30#	VR-001.01	1
2	WELL 3/4"X 1 1/2"	1635001	1
3	GAUGE - TEMPERATURE PRESSURE	126006SP	1
4	PIPE - ELBOW 3/4" 90°	1190001	1
5	PIPE - NPL 3/4"X4"	1310001	1
6	PIPE - TEE 1.1/4X3/4X1.1/4	1510001	1
7	PIPE - NPL 1.1/4X4.1/2 NPT	1310002	1
8	DRAIN - SHORT	240009323	1
9	WIRE HIGH VOLTAGE	240009194	1
	WIRE LOW VOLTAGE	240009195	1
10	WIRE ROLLOUT/SPILL	240010924	2
11	HARNESS CIRCULATOR 60"	240008767	1
12	CONTROL COVER	108000193AD	1
13	CONTROL ASSEMBLY (FOUND ON PAGE 7)	N/A	1
14	CLAMP #3600 WHITE	EF03601	2

CONTROL ASSEMBLY



ITEM	DESCRIPTION	P/N	QTY.
1	Control Module	240008781	1
2	50 VA Transformer	240008782	1
3	J-BOX	109008634	1
4	J-BOX COVER	109008635	1
5	SCREW # 8X 1/2 " B POINT	201000021	4
6	GROUND SCREW # 8	HW07701	2
7	GROMMET, PLASTIC 7/8"	14693011	1
8	GROMMET, PLASTIC 7/8"	206000023	1
9	SCREW #10 X 1/2" , A POINT	14695074	8
10	CONTROL PANEL	109008507	1
11	CABLE KEEPER	EF03601	1
*	SENSOR, 36"	240007732	1
*	SENSOR CLIP	240008013	1
*	DAMPER HARNESS	240006309	1
* NOT SHOWN			



UTICA BOILERS
2201 Dwyer Avenue
Utica NY 13501
web site: www.ecrinternational.com