



**Models**  
**MCB-50J**  
**MCB-75J**  
**MCB-100J**  
**MCB-125J**  
**MCB-150J**  
**MCB-170J**  
**MCB-200J**



# MCB SERIES II

## Cast Iron Gas Fired Boilers For Forced Hot Water

### PARTS AND OPTIONAL ACCESSORIES

Ordering Instructions

Order Parts through your nearest supplier.

When ordering parts, obtain Model Number and Serial Number from data plate on your boiler.

Include following information when ordering.

Part Number \_\_\_\_\_

Part Description \_\_\_\_\_

Boiler Model Number \_\_\_\_\_

Boiler Serial Number \_\_\_\_\_

**Manufactured by:**

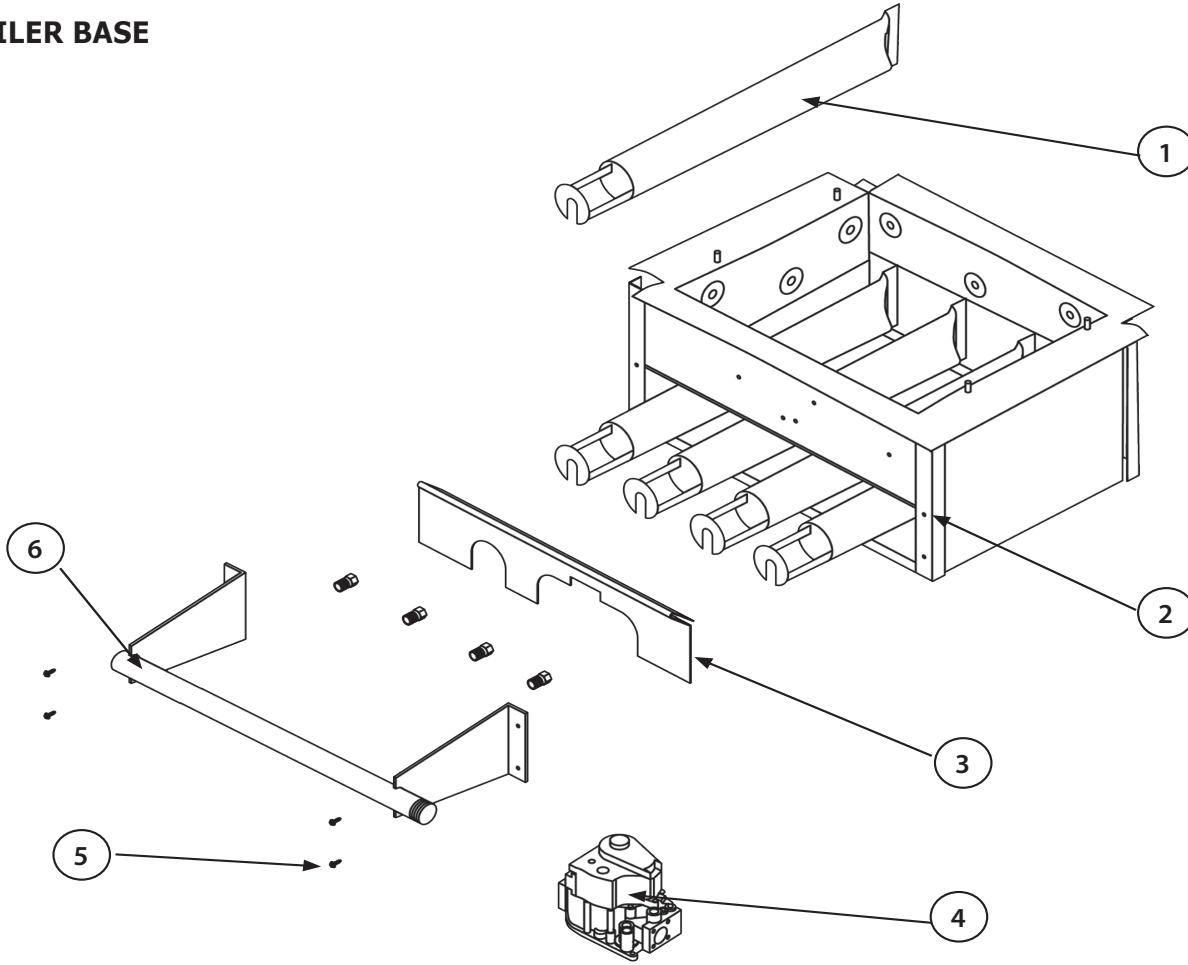
**ECR International, Inc.**

2201 Dwyer Avenue, Utica NY 13501  
web site: [www.ecrinternational.com](http://www.ecrinternational.com)

P/N 240009039, Rev. E [03/2015]

## REPLACEMENT PARTS - BASE

### BOILER BASE



Item #	Description	Part #	Qty.	Item #	Description	Part #	Qty.
1	BURNER TUBE 1 1/2" - 50	240005543	1	5	SCREW ¼ - 20 X ½ SELF TAP	HW-005.01	4
	BURNER TUBE 1 1/2" - 75, 100		2	6	MANIFOLD - 50	356-2-1.01	1
	BURNER TUBE 1 1/2" - 125, 150		3		MANIFOLD - 75 & 100	356-2-1.02	
	BURNER TUBE 1 1/2" - 170, 200		4		MANIFOLD - 125 & 150	356-2-1.03	
		MANIFOLD - 170 & 200	356-2-1.04				
2	BASE W/INSUL - 50	5611601	1	7	ORIFICE 3.2mm NAT - 50, 100, 150, 200,	240007406	*
	BASE W/INSUL - 75, 100	5611602			ORIFICE 2.9mm NAT - 125, 170	240007403	
	BASE W/INSUL - 125, 150	3001823			ORIFICE 2.8mm NAT - 75	240007402	
	BASE W/INSUL - 170, 200	5611604			ORIFICE #45 LP - 50	3551520	
3	BURNER DOOR - 50	109009071	1	ORIFICE #47 LP - 100, 150, 200	355-1-5.04	1	
	BURNER DOOR - 75, 100	109009072		ORIFICE #49 LP - 125 & 170	355-1-5.06		
	BURNER DOOR - 125, 150	109009073		ORIFICE #50 LP - 75	355-1-5.07		
	BURNER DOOR - 170, 200	109009074		NOT SHOWN	COMBUSTIBLE BASE FLOORING - 50		325-2-8.01
4	GAS VALVE VR8204H - 50 - 150 SPARK NAT	VG01101	1		COMBUSTIBLE BASE FLOORING - 75, 100	325-2-8.02	
	GAS VALVE VR8304H4 - 170-200 SPARK NAT	VG01103			COMBUSTIBLE BASE FLOORING - 125, 150	325-2-8.03	
	GAS VALVE VR8304 - 50-200 SPARK LP	VG01104			COMBUSTIBLE BASE FLOORING - 170, 200	325-2-8.04	

\* Orifice Quantities: Model 50 - qty 1; Model 75 & 100- qty 2; Model 125 & 150- qty 3; Model 170 & 200 - qty 4

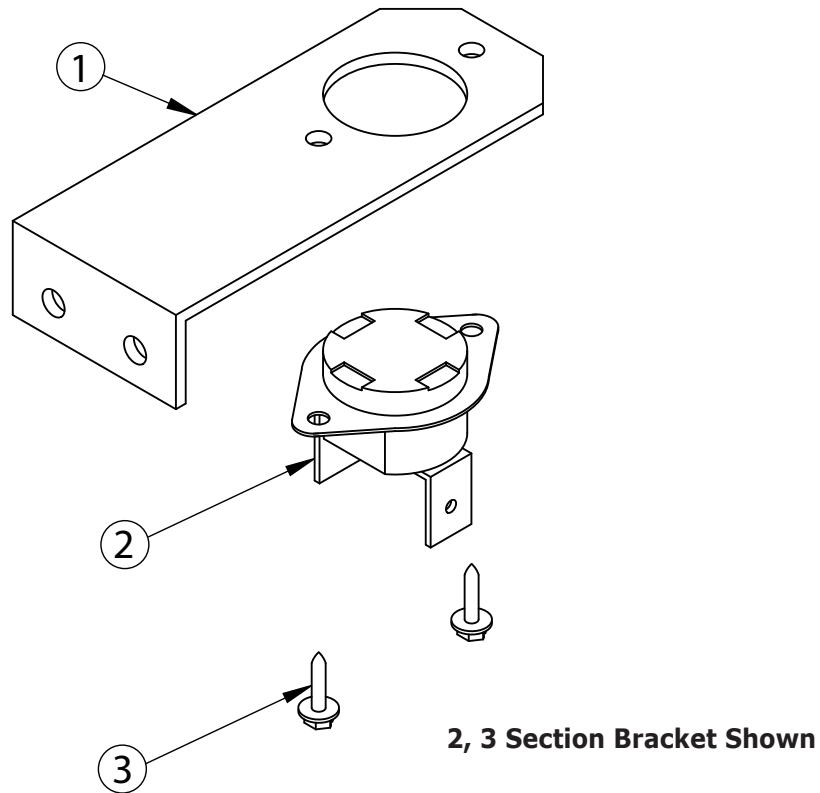
## REPLACEMENT PARTS - HEAT EXCHANGER

### HEAT EXCHANGER

Fully Assembled Heat Exchangers	
912000001	Heat Exchanger (2 Section)
912000002	Heat Exchanger (3 Section)
912000003	Heat Exchanger (4 Section)
912000004	Heat Exchanger (5 Section)

## ROLLOUT & SPILL SWITCH

### ROLLOUT & SPILL SWITCH



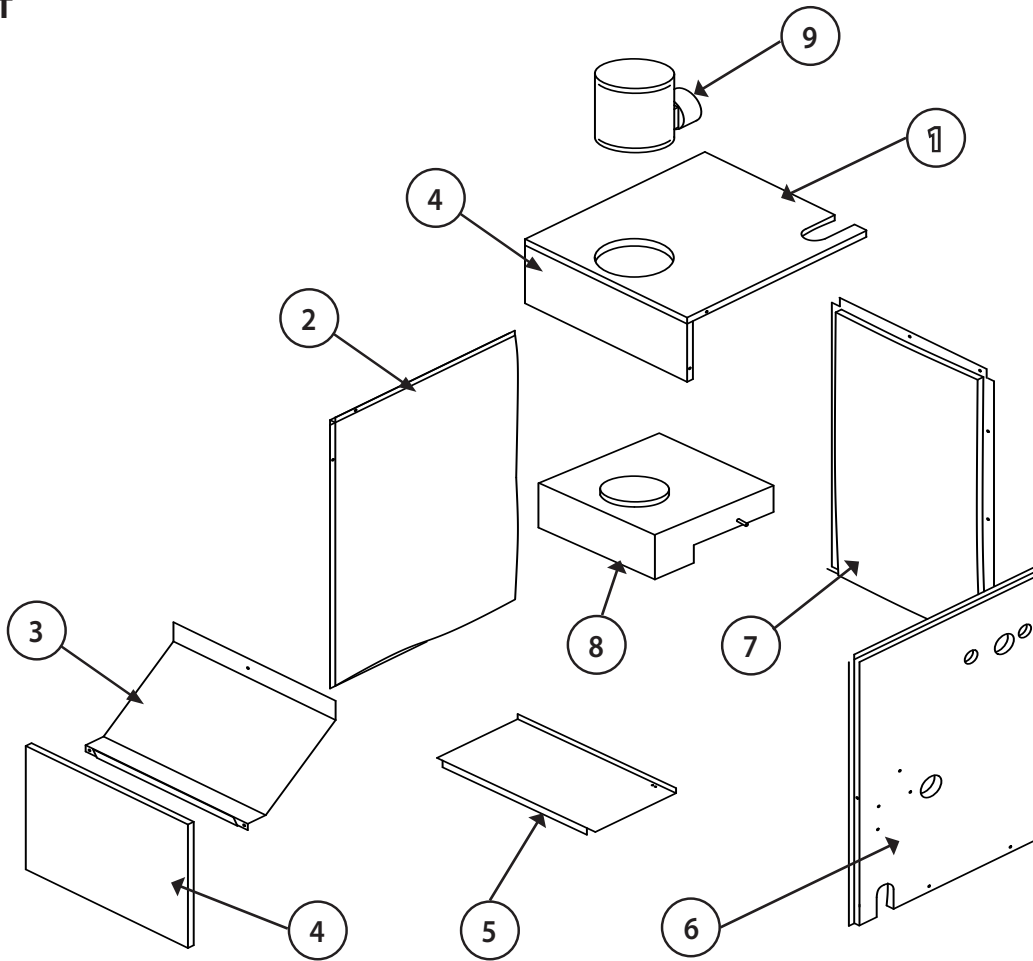
Item #	Description	Part #	Qty.
1	2, 3 SECTION TEMP. SENSOR BRACKET (Rollout)	32611001	1
	4 SECTION TEMP. SENSOR BRACKET (Rollout)	109008517	1
	5 SECTION TEMP. SENSOR BRACKET (Rollout)	109008518	1
2	CONTROL-FIXED TEMPERATURE THERMO (ROLLOUT SWITCH AND SPILL SWITCH)	AQ02101	1
3	SCREW - #6 X ¼ HEX HD	HW06501	2

Rollout switch is located on base; spill switch on flue collector.

NOTE: Quantities above are for each switch.

REPLACEMENT PARTS - JACKET

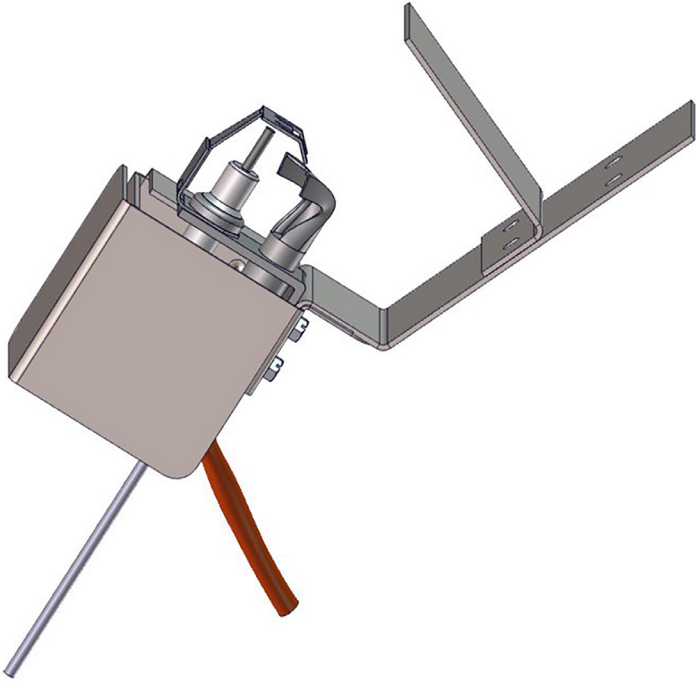
BOILER JACKET



Item #	DESCRIPTION	Part Number	Qty.
1	PANEL - TOP 50	31621501	1
	PANEL - TOP 75 & 100	31621502	
	PANEL - TOP 125	31621503	
	PANEL - TOP 150	31621504	
	PANEL - TOP 170 & 200	31621505	
3	PANEL - LEFT ASSY (L)50-200	3162706	1
3	DRAFT DEFLECTOR 50	3162501	
	DRAFT DEFLECTOR 75/100	3162502	
	DRAFT DEFLECTOR 125/150	3162503	
	DRAFT DEFLECTOR 170/200	3162504	
4	PNL LWR ACCES 50	109008534	1
	PNL LWR ACCES 75/100	109008535	
	PNL LWR ACCES 125/150	109008536	
	PNL LWR ACCES 170/200	109008537	
5	PANEL - BASE 50	3161201	1
	PANEL - BASE 75 & 100	3161202	
	PANEL - BASE 125 & 150	109008530	
	PANEL - BASE 170 & 200	109008531	

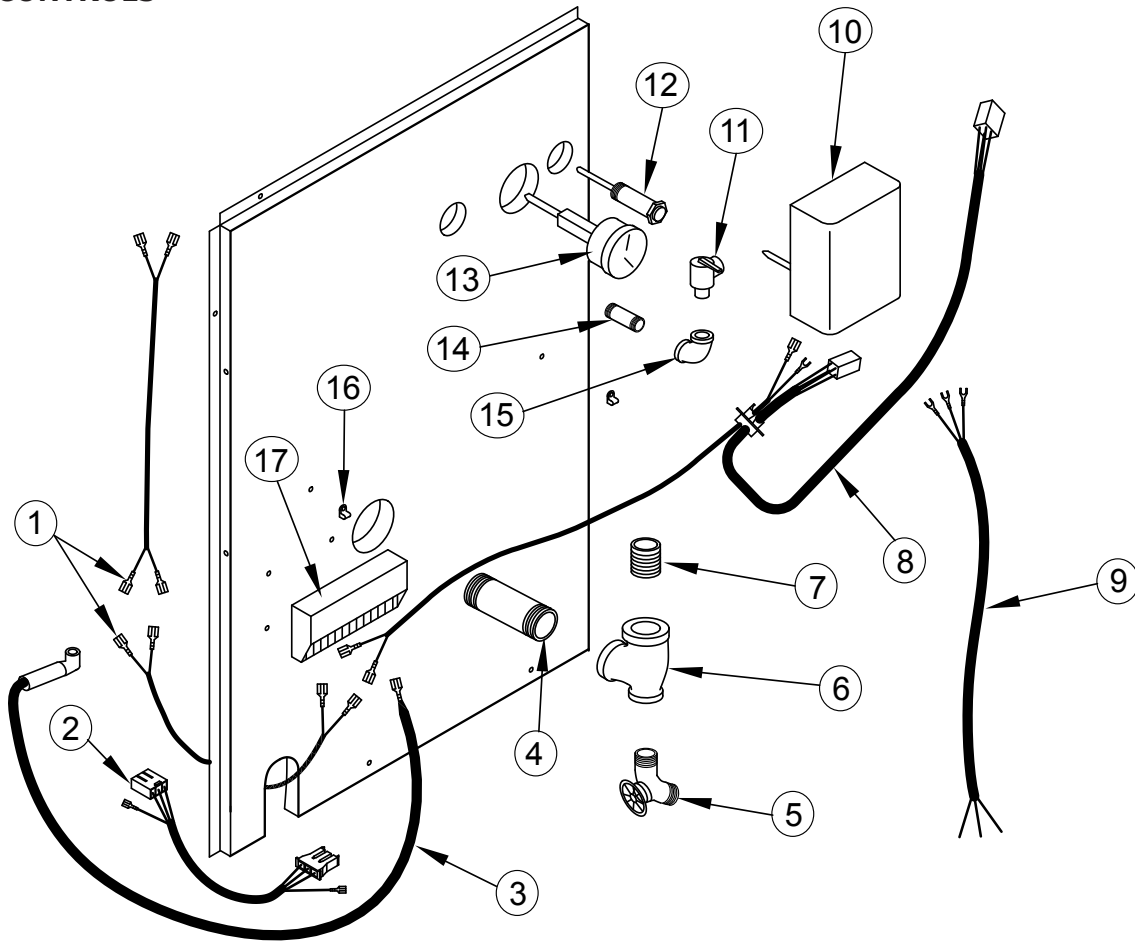
Item #	DESCRIPTION	Part Number	Qty.
6	PANEL - RIGHT ASSY 50-200	3162705	1
7	PANEL - REAR 50	3162601	1
	PANEL - REAR 75 & 100	3162602	
	PANEL - REAR 125 & 150	3162603	
	PANEL - REAR 170 & 200	3162604	
8	FLUE COL 50	3462101	1
	FLUE COL 75	3462108	
	FLUE COL 100	3462102	
	FLUE COL 125	3462107	
	FLUE COL 150	3462103	
	FLUE COL 170	3462109	
9	DAMPER 4" 50	240006936	1
	DAMPER 5" 75	240006937	
	DAMPER 6" 100 & 125	240006938	
	DAMPER 7" 150 & 170	240006939	
	DAMPER 8" 200	240006940	
10	PNL- UPPER ACCESS 50	31621201	1
	PNL- UPPER ACCESS 75&100	31621202	
	PNL- UPPER ACCESS 125	31621203	
	PNL- UPPER ACCESS 150	31621204	
	PNL- UPPER ACCESS 170 & 200	31621205	

**SPARK PILOT**



<b>Spark Pilot Kit - Natural Gas 550003039</b> <b>Spark Pilot Kit - LP/Propane 550003040</b>		
Item #	Description	Qty.
1	PILOT AND BRACKET ASSEMBLY (NAT. GAS)	1
	PILOT AND BRACKET ASSY (LP/PROPANE)	
*	BRACKET SCREW	2
*	COMPRESSION FITTING	1
* NOT SHOWN		

PIPING & CONTROLS



ITEM	DESCRIPTION	P/N	QTY.
1	WIRE ROLLOUT/SPILL 28"	37513301	2
2	HARNESS IGN TO G/V 18"	37413602	1
3	PILOT IGNITION CABLE 30"	240009313	1
4	PIPE - NPL 1.1/4X4.1/2 NPT	PF-006.07	1
5	DRAIN - SHORT	240009323	1
6	PIPE - TEE 1.1/4X3/4X1.1/4	PF-008.03	1
7	PIPE - 1.1/4" CLOSE NPL	PF-006.01	1
8	WIRE LOW VOLTAGE/DAMPER	240005480	1
9	HARNESS CIRCULATOR 72"	37519501	1
10	CONTROL HYDROLEVEL 3200	240009113	1
11	RELIEF VALVE 30#	VR-001.01	1
12	WELL HYDROLEVEL	240009115	1
13	GAUGE - TEMPERATURE - PRESSURE	GA-001.00	1
14	PIPE - NPL 3/4"X4"	PF-005.11	1
15	PIPE - ELBOW 3/4" 90°	PF-002.04	1
16	CLAMP #3600 WHITE	EF03601	2
17	PLT SPARK CTRL S8600	14662070	1
	BRACKET, SPARK CONTROL	109008481	1



**Check our website frequently for updates: [www.ecrinternational.com](http://www.ecrinternational.com)**