



**PRODUCT LITERATURE**

Lennox Industries Inc.  
Dallas, Texas

# PARTS AND OPTIONAL ACCESSORIES

---

GWB8-050E-2, GWB8-075E-2,  
GWB8-100E-2, GWB8-125E-2  
GWB8-150E-2, 2GWB8-170E-2  
GWB8-200E-2

GAS FIRED BOILER

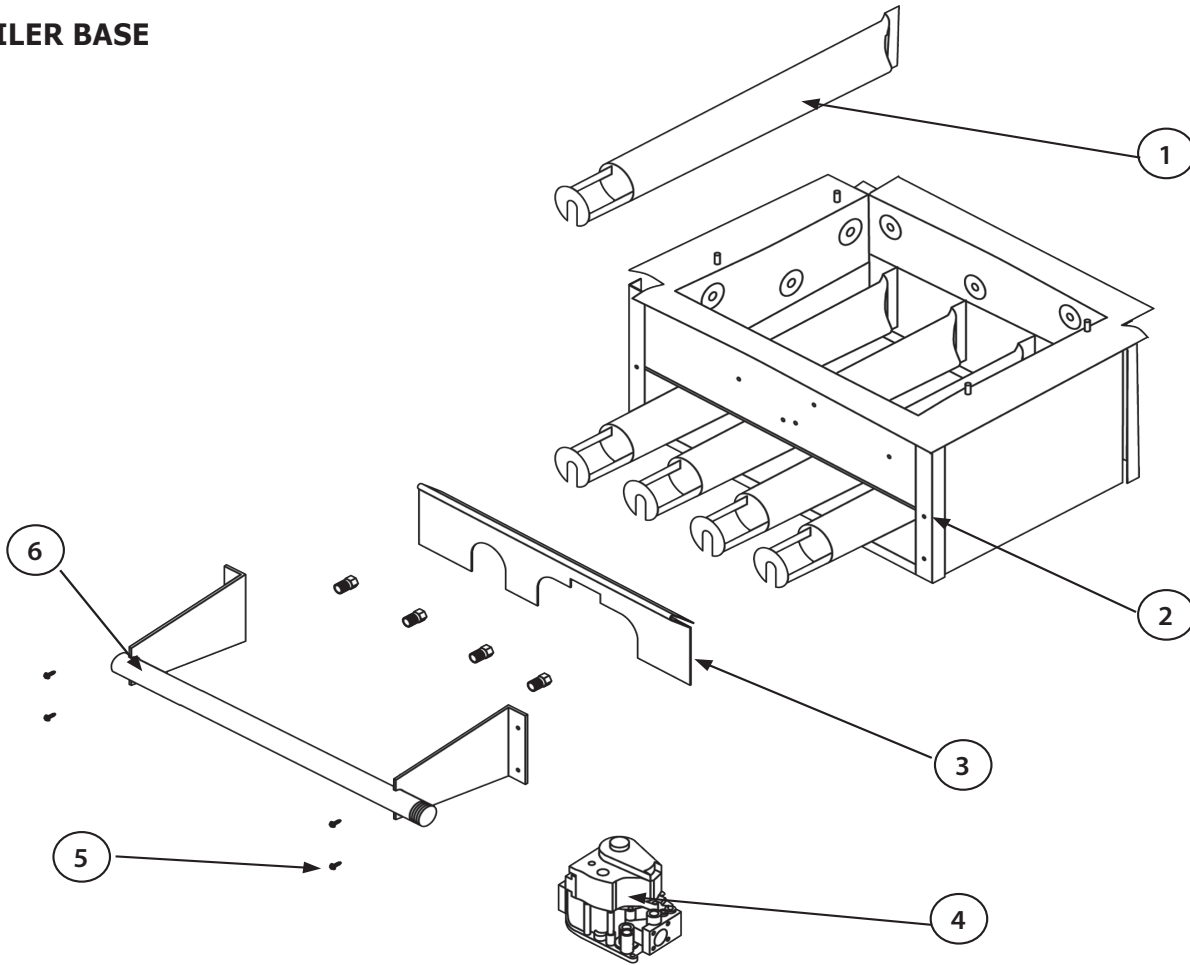
---

**RETAIN THESE INSTRUCTIONS FOR  
FUTURE REFERENCE**

***These instructions must be affixed on  
or adjacent to the boiler.***

## REPLACEMENT PARTS - BASE

### BOILER BASE



Item #	Description	Part #	Qty.	Item #	Description	Part #	Qty.
1	BURNER TUBE 1 1/2" - 50	240005543	1	5	SCREW ¼ - 20 X ½ SELF TAP	HW-005.01	4
	BURNER TUBE 1 1/2" - 75, 100		2	6	MANIFOLD - 50	356-2-1.01	1
	BURNER TUBE 1 1/2" - 125, 150		3		MANIFOLD - 75 & 100	356-2-1.02	
	BURNER TUBE 1 1/2" - 170, 200		4		MANIFOLD - 125 & 150	356-2-1.03	
		MANIFOLD - 170 & 200	356-2-1.04				
2	BASE W/INSUL - 50	5611601	1	7	ORIFICE 3.2mm NAT - 50, 100, 150, 200,	240007406	*
	BASE W/INSUL - 75, 100	5611602			ORIFICE 2.9mm NAT - 125, 170	240007403	
	BASE W/INSUL - 125, 150	3001823			ORIFICE 2.8mm NAT - 75	240007402	
	BASE W/INSUL - 170, 200	5611604			ORIFICE #45 LP - 50	3551520	
3	BURNER DOOR - 50	109009071	1	ORIFICE #47 LP - 100, 150, 200	355-1-5.04	1	
	BURNER DOOR - 75, 100	109009072		ORIFICE #49 LP - 125 & 170	355-1-5.06		
	BURNER DOOR - 125, 150	109009073		ORIFICE #50 LP - 75	355-1-5.07		
	BURNER DOOR - 170, 200	109009074		NOT SHOWN	COMBUSTIBLE BASE FLOORING - 50		325-2-8.01
4	GAS VALVE VR8204H - 50 - 150 SPARK NAT	VG01101	1	COMBUSTIBLE BASE FLOORING - 75, 100	325-2-8.02	1	
	GAS VALVE VR8304H4 - 170-200 SPARK NAT	VG01103		COMBUSTIBLE BASE FLOORING - 125, 150	325-2-8.03		
	GAS VALVE VR8304 - 50-200 SPARK LP	VG01104		COMBUSTIBLE BASE FLOORING - 170, 200	325-2-8.04		

\* Orifice Quantities: Model 50 - qty 1; Model 75 & 100- qty 2; Model 125 & 150- qty 3; Model 170 & 200 - qty 4

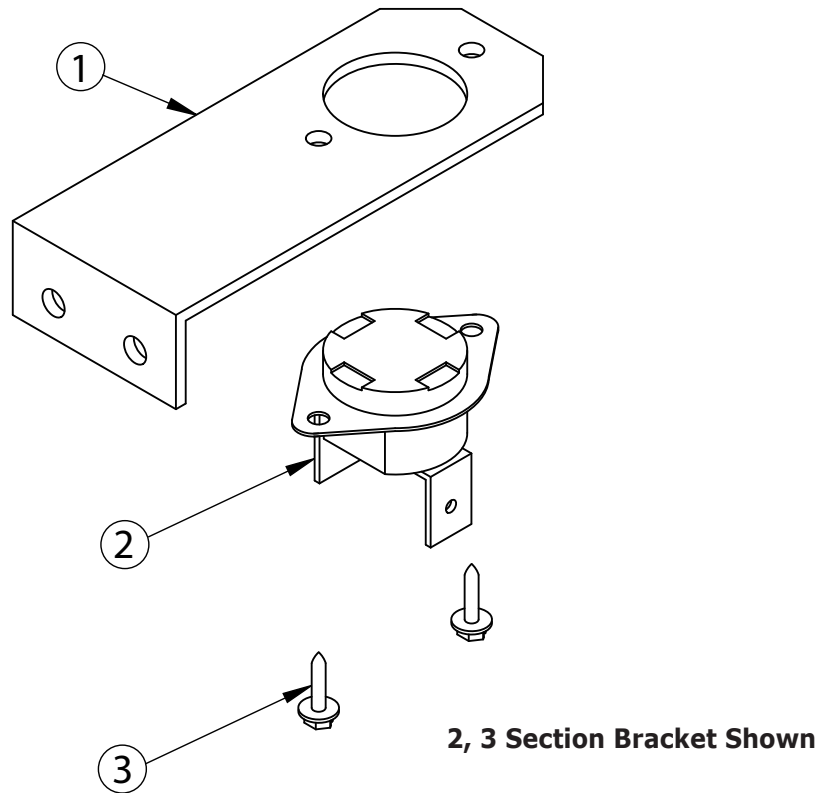
## REPLACEMENT PARTS - HEAT EXCHANGER

### HEAT EXCHANGER

Fully Assembled Heat Exchangers	
912000001	Heat Exchanger (2 Section)
912000002	Heat Exchanger (3 Section)
912000003	Heat Exchanger (4 Section)
912000004	Heat Exchanger (5 Section)

## ROLLOUT & SPILL SWITCH

### ROLLOUT & SPILL SWITCH



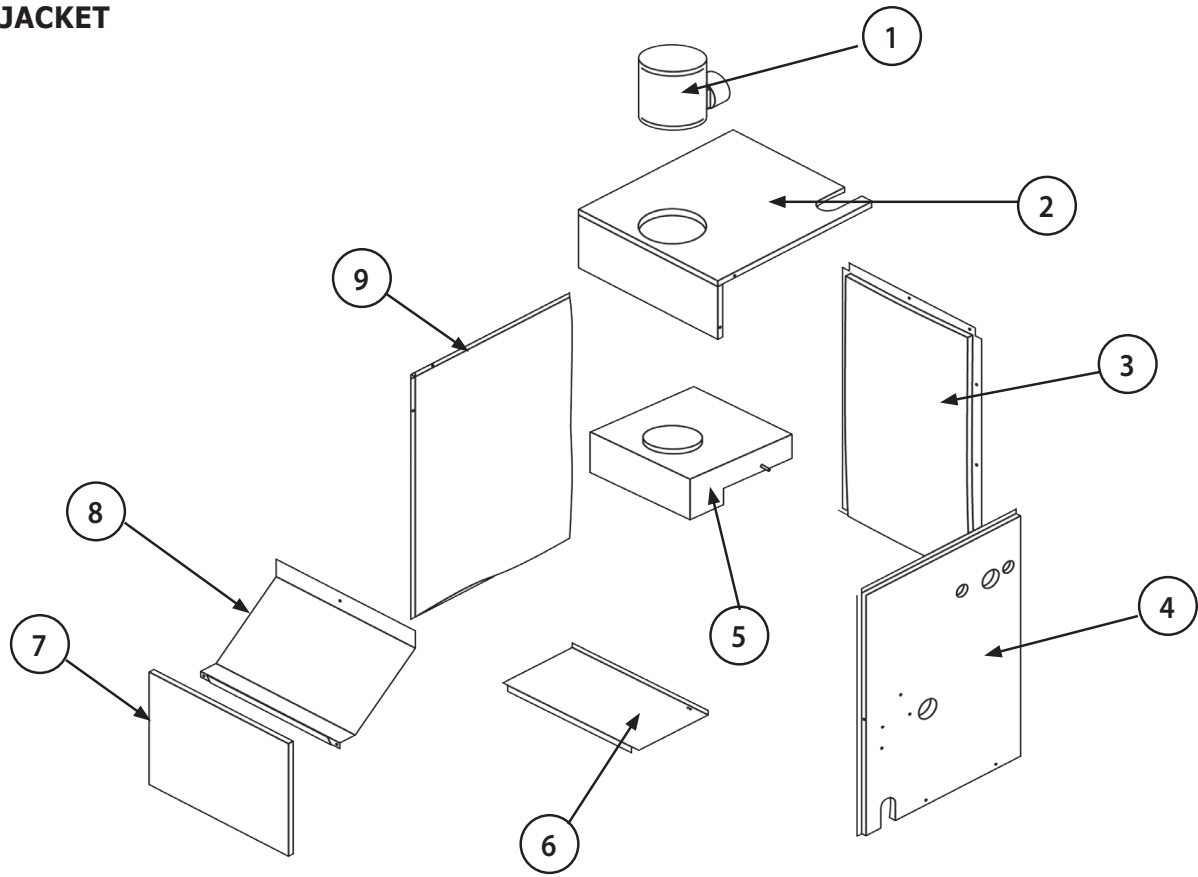
Item #	Description	Part #	Qty.
1	2, 3 SECTION TEMP. SENSOR BRACKET (Rollout)	32611001	1
	4 SECTION TEMP. SENSOR BRACKET (Rollout)	109008517	1
	5 SECTION TEMP. SENSOR BRACKET (Rollout)	109008518	1
2	CONTROL-FIXED TEMPERATURE THERMO (ROLLOUT SWITCH AND SPILL SWITCH)	AQ02101	1
3	SCREW - #6 X 1/4 HEX HD	HW06501	2

Rollout switch is located on base; spill switch on flue collector.

NOTE: Quantities above are for each switch.

REPLACEMENT PARTS - JACKET

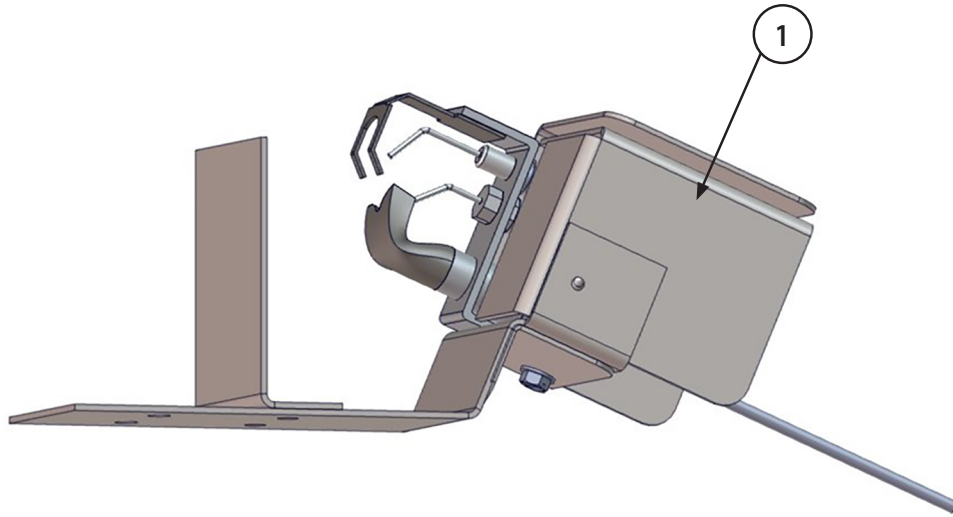
BOILER JACKET



Item #	DESCRIPTION	Part Number (MGB)	Qty.
1	DAMPER 4" 50	240006936	1
	DAMPER 5" 75	240006937	
	DAMPER 6" 100 & 125	240006938	
	DAMPER 7" 150 & 170	240006939	
	DAMPER 8" 200	240006940	
2	PANEL - TOP 50	31621501AF	1
	PANEL - TOP 75 & 100	31621501AF	
	PANEL - TOP 125	31621501AF	
	PANEL - TOP 150	31621501AF	
	PANEL - TOP 170 & 200	31621501AF	
3	PANEL - REAR 50	3162601AF	1
	PANEL - REAR 75 & 100	3162602AF	
	PANEL - REAR 125 & 150	3162603AF	
	PANEL - REAR 170 & 200	3162604AF	
4	PANEL - RIGHT	109008633AF	1
5	FLUE COL 50	3462101	1
	FLUE COL 75	3462108	
	FLUE COL 100	3462102	
	FLUE COL 125	3462107	
	FLUE COL 150	3462103	
	FLUE COL 170	3462109	
	FLUE COL 200	3462104	

Item #	DESCRIPTION	Part Number	Qty.
6	PANEL - BASE 50	3161201AF	1
	PANEL - BASE 75 & 100	3161202AF	
	PANEL - BASE 125 & 150	3161203AF	
	PANEL - BASE 170 & 200	3161204AF	
7	PNL LWR ACCES 50	3161101AF	1
	PNL LWR ACCES 75/100	3161102AF	
	PNL LWR ACCES 125/150	3161103AF	
	PNL LWR ACCES 170/200	3161104AF	
8	DRAFT DEFLECTOR 50	3162501AF	1
	DRAFT DEFLECTOR 75/100	3162502AF	
	DRAFT DEFLECTOR 125/150	3162503AF	
	DRAFT DEFLECTOR 170/200	3162504AF	
9	PANEL - LEFT	3162708AF	1
10	PNL- UPPER ACCESS 50	31621201AF	1
	PNL- UPPER ACCESS 75&100	31621202AF	
	PNL- UPPER ACCESS 125	31621203AF	
	PNL- UPPER ACCESS 150	31621204AF	
	PNL- UPPER ACCESS 170 & 200	31621205AF	

SPARK PILOT

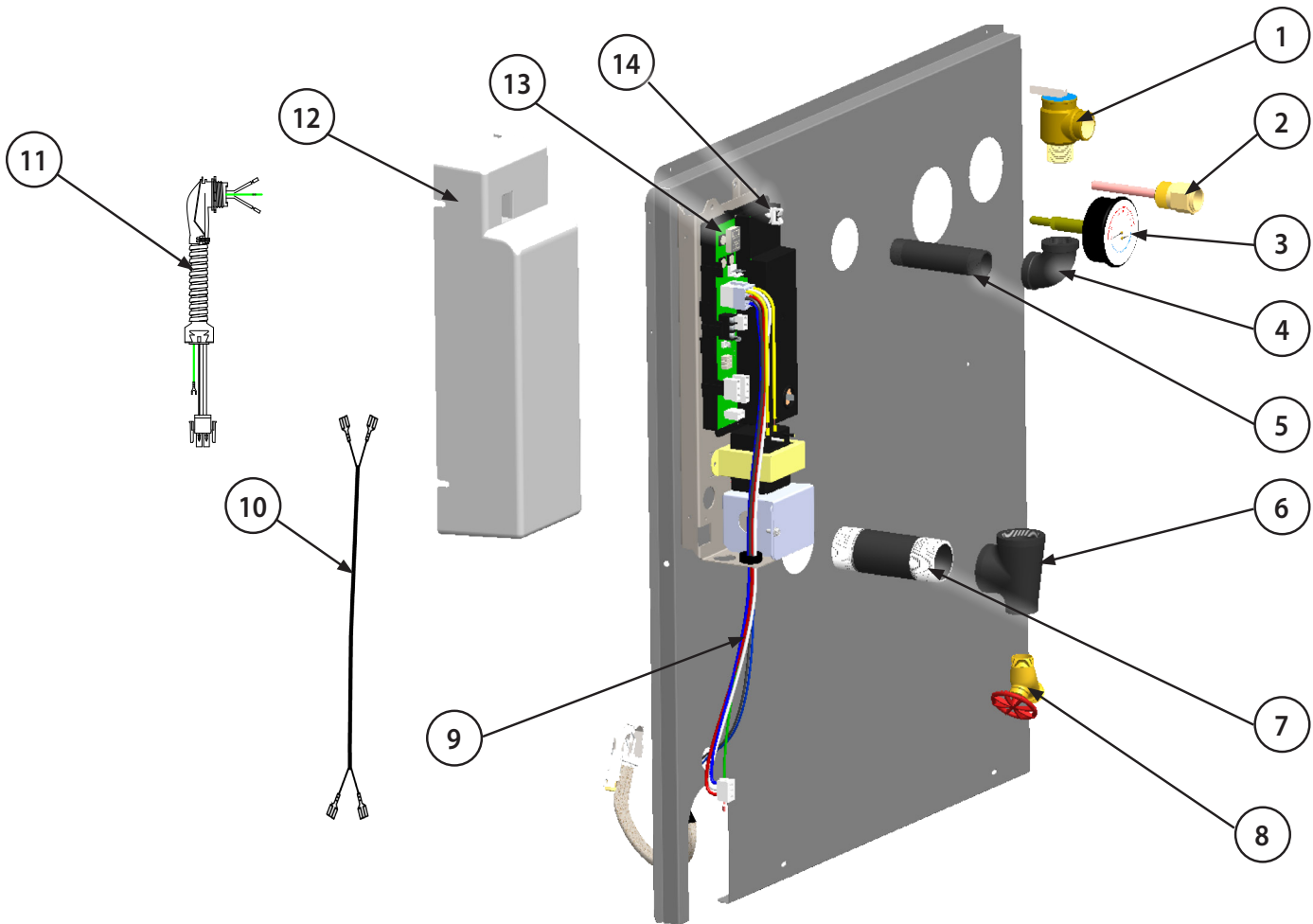


**Spark Pilot Kit - Natural Gas & LP/Propane  
550003057**

Item	Description	Qty.
1	PILOT AND BRACKET ASSEMBLY	1
*	BRACKET SCREW	2
*	LP ORIFICE - BBR 11	1
*	COMPRESSION FITTING	1

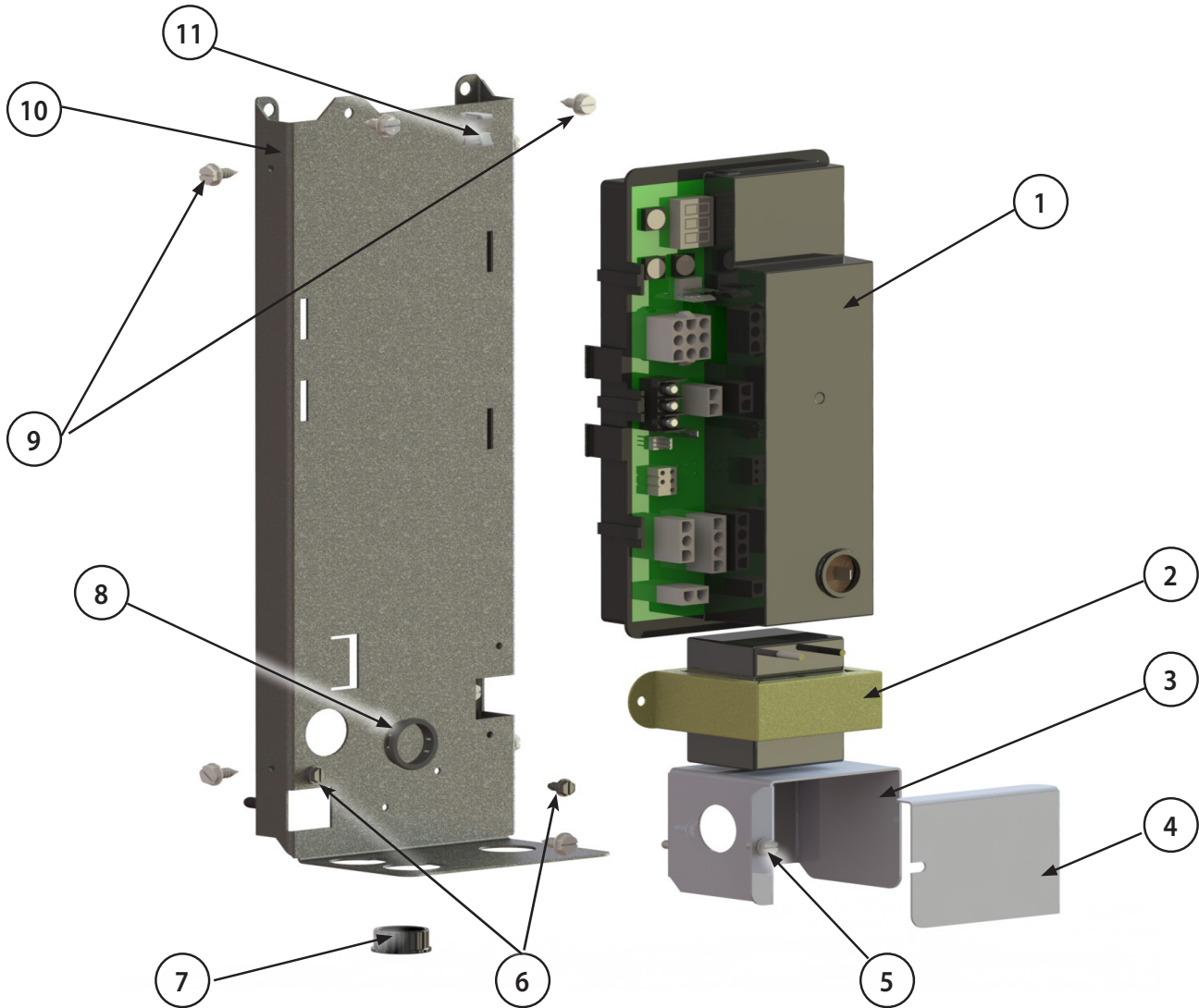
\* Not Shown

PIPING & CONTROLS



ITEM	DESCRIPTION	P/N	QTY.
1	RELIEF VALVE 30#	VR-001.01	1
2	WELL 3/4"X 1 1/2"	1635001	1
3	GAUGE - TEMPERATURE PRESSURE	GA-001.00	1
4	PIPE - ELBOW 3/4" 90°	PF-002.04	1
5	PIPE - NPL 3/4"X4"	PF-005.11	1
6	PIPE - TEE 1.1/4X3/4X1.1/4	PF-008.03	1
7	PIPE - NPL 1.1/4X4.1/2 NPT	PF-006.07	1
8	DRAIN - SHORT	240009323	1
9	WIRE HIGH VOLTAGE	240009194	1
	WIRE LOW VOLTAGE	240009195	1
10	WIRE ROLLOUT/SPILL	240010924	2
11	HARNESS CIRCULATOR 60"	240008767	1
12	CONTROL COVER	108000193	1
13	CONTROL ASSEMBLY (FOUND ON PAGE 7)	N/A	1
14	CLAMP #3600 WHITE	EF03601	2

CONTROL ASSEMBLY



ITEM	DESCRIPTION	P/N	QTY.
1	Control Module	240008781	1
2	50 VA Transformer	240008782	1
3	J-BOX	109008634	1
4	J-BOX COVER	109008335	1
5	SCREW # 8X 1/2 " B POINT	20100021	4
6	GROUND SCREW # 8	HW07701	2
7	GROMMET, PLASTIC 7/8"	14693011	1
8	GROMMET, PLASTIC 7/8"	20600023	1
9	SCREW #10 X 1/2" , A POINT	14695074	8
10	CONTROL PANEL	109008507	1
11	CABLE KEEPER	EF03601	1
*	SENSOR, 36"	240007732	1
*	SENSOR CLIP	240008013	1
*	DAMPER HARNESS	240006309	1
* NOT SHOWN			



**PRODUCT LITERATURE**

Lennox Industries Inc.  
Dallas, Texas

**Manufactured by:**

**ECR International, Inc.**

2201 Dwyer Avenue, Utica NY 13501

web site: [www.ecrinternational.com](http://www.ecrinternational.com)