

REWIRING KIT 550002367 INSTRUCTIONS

FOR OIL FURNACE MODELS

W/30069 (OL2703) BECKETT AFII BURNER

31308072C HML80CB2U DIRECT VENT MODEL, W/BECKET AFII85 BURNER

3138077C HMLV80CB2U DIRECT VENT MODEL W/BECKET AFII85

32308072C BML80BB2U DIRECT VENT MODEL W/BECKET AFII85

[Refer to enclosed list of affected serial numbers]

Kit installation shall be completed by qualified agency.

Figure 1 - Correct Wiring Diagram for HML80CB2U, HMLV80CB2U, BML80BB2U

⚠ WARNING

Fire, explosion, asphyxiation and electrical shock hazard. Improper installation could result in death or serious injury. Read this instruction and understand all requirements, including requirements of authority having jurisdiction, before beginning installation. Installation not complete until appliance operation verified per Installation, Operation & Maintenance Manual provided with furnace.

1. Verify all electrical power to furnace is turned off.

WARNING

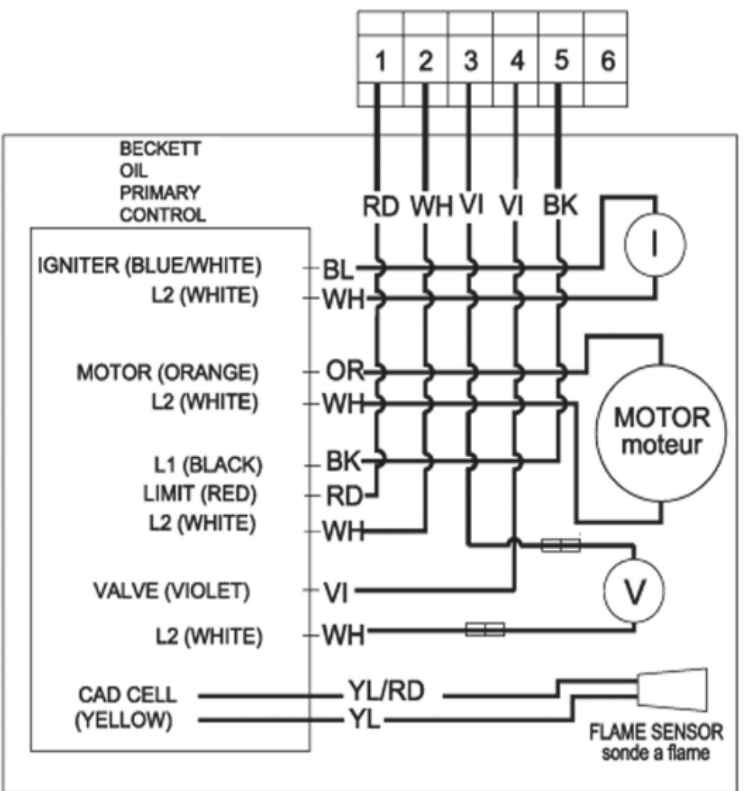
Electric shock hazard. Turn OFF electrical power supply at service panel.

2. Remove appropriate jacket panel(s).

⚠ WARNING

Burn hazard. Verify heat exchanger has cooled or use appropriate personal protection equipment.

3. Inspect oil burner wiring harness coming from junction box below Becket Genisys oil burner primary control.
4. If there are five (5) wires in existing burner harness, as one provided with this kit, and burner is wired as shown in **Figure 1**, burner is wired correctly.
5. If burner is wired correctly no wiring changes are required. If burner is **not** wired correctly skip steps 6-8 below and refer to "Incorrect Wiring" on next page.
6. Apply furnished wiring diagram label 240005212 REV B over existing wiring diagram label.
7. Resume operation using OPERATING INSTRUCTIONS found on Operating Instructions label on furnace or in Installation, Operation & Maintenance Manual.
8. Install jacket panel(s)



BECKETT AFII BURNER/brûleur

REWIRING KIT INSTRUCTIONS

Incorrect wiring (see Figure 2):

If there are only four (4) wires in existing burner harness, and burner is wired as shown in **Figure 2**, existing four (4) wire burner harness needs to be removed and replaced with five (5) wire harness included with this kit.

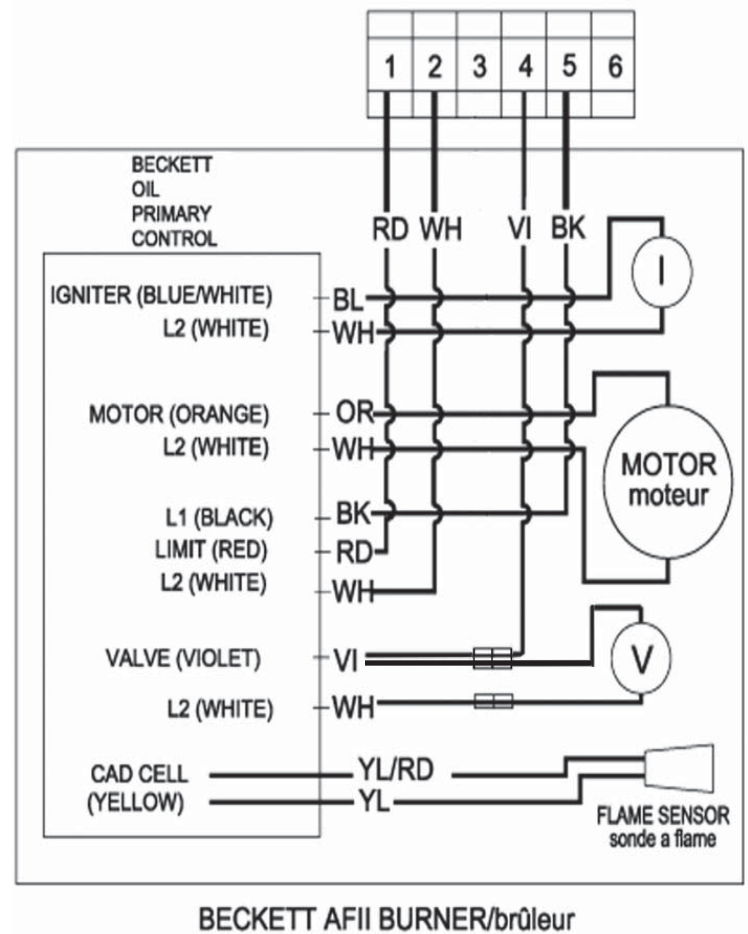
WARNING

Electric shock hazard. Turn OFF electrical power supply at service panel.

Follow instructions to rewire furnace:

1. Unplug four (4) wire burner harness from furnace harness at six pin moxex connector.
2. Disconnect four (4) wires in burner harness from their respective terminals on primary control.
3. Disconnect violet oil solenoid valve lead from violet two (2) wire jumper on VALVE terminal of oil primary.
4. Remove and discard violet two (2) wire jumper from VALVE terminal of oil primary.
5. Remove four (4) wire burner harness from oil burner and install five (5) wire harness in same manner using existing strain relief.
6. Connect the new five (5) wire burner harness per **Figure 1** as follows:
 - A. Red wire to oil primary LIMIT terminal
 - B. White wire to oil primary L2 terminal
 - C. Black wire to oil primary L1 terminal
 - D. Violet wire with female connector to oil primary VALVE terminal
 - E. Violet wire with male connector to violet oil solenoid valve lead.
 - F. Connect new five (5) wire burner harness to furnace harness by connecting six (6) pin moxex plug to six (6) pin moxex receptacle
7. Reassemble burner. Restore power. Test fire burner using OPERATING INSTRUCTIONS found in Installation, Operation & Maintenance Manual. Verify correct operation.
8. After burner has run for a couple of minutes, disconnect wires from either pressure switch terminal to simulate a blocked vent condition de-energizing oil solenoid valve. Confirm burner shuts down and recycles.
9. Reconnect wires to pressure switch during 60 second recycle period. After 60 second recycle period burner should initiate normal ignition sequence and light normally.
10. Apply furnished wiring diagram label 240005212 REV B over existing wiring diagram label.
11. Resume operation using OPERATING INSTRUCTIONS found on Operating Instructions label on furnace or in Installation, Operation & Maintenance Manual.
12. Verify proper operation by following START UP PROCEDURE in Installation, Operation & Maintenance Manual.
13. Install jacket panel(s).

Figure 2 - *Incorrect* Wiring Diagram for HML80CB2U, HMLV80CB2U, BML80BB2U



Rewire Kit 550002367 - Parts List	
-	Harness 5 Wire, Rewire
240009178	Letter Furnace Rewire
240009176	Response Card Furnace Rewire
240005212 REV B	Lable Wiring Diagram
240009179 REV A	Instructions
- Item only available as part of kit 550002367	