

REWIRING KIT 550002368 INSTRUCTIONS FOR OIL FURNACE MODELS W/30741 (OL2705) BECKETT AFII BURNER 34308072C WML80CB2U DIRECT VENT MODEL W/BECKET AFII 85 BURNER [Refer to enclosed list of affected serial numbers]

Kit installation shall be completed by qualified agency.

⚠ WARNING

Fire, explosion, asphyxiation and electrical shock hazard. Improper installation could result in death or serious injury. Read this instruction and understand all requirements, including requirements of authority having jurisdiction, before beginning installation. Installation not complete until appliance operation verified per Installation, Operation & Maintenance Manual provided with furnace.

1. Verify all electrical power to furnace is turned off.

WARNING

Electric shock hazard. Turn OFF electrical power supply at service panel.

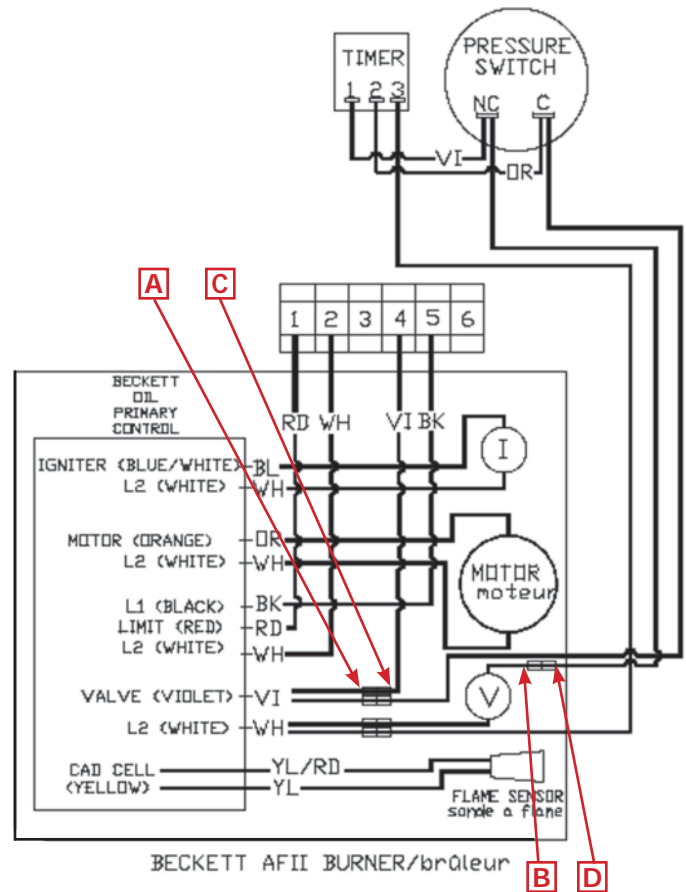
2. Remove appropriate jacket panel(s).

⚠ WARNING

Burn hazard. Verify heat exchanger has cooled or use appropriate personal protection equipment.

3. Remove pressure switch enclosure cover.
4. Inspect wiring between oil burner primary control, solenoid valve and pressure switch.
5. See **Figure 1** for correct wiring:
 - A. Violet two wire jumper on VALVE terminal on oil primary.
 - B. One lead goes to **C** (Common) terminal on pressure switch.
 - C. Other lead connects to violet wire in 4 wire oil burner harness.
6. If burner is wired correctly no wiring changes are required. If burner is **not** wired correctly, skip steps 7-10 below and refer to "Incorrect wiring" on next page.
7. Replace pressure switch enclosure cover.
8. Apply furnished wiring diagram label 240005124 REV B over existing wiring diagram label.
9. Resume operation using OPERATING INSTRUCTIONS found on Operating Instructions label on furnace or in Installation, Operation & Maintenance Manual.
10. Install jacket panel(s)

Figure 1 - Correct Wiring Diagram for WML80CB2U



REWIRING KIT INSTRUCTIONS

Incorrect wiring (see Figure 2):

One violet lead on two wire jumper on VALVE terminal of oil primary is connected to violet oil solenoid valve lead (See **A** & **B** of **Figure 2**).

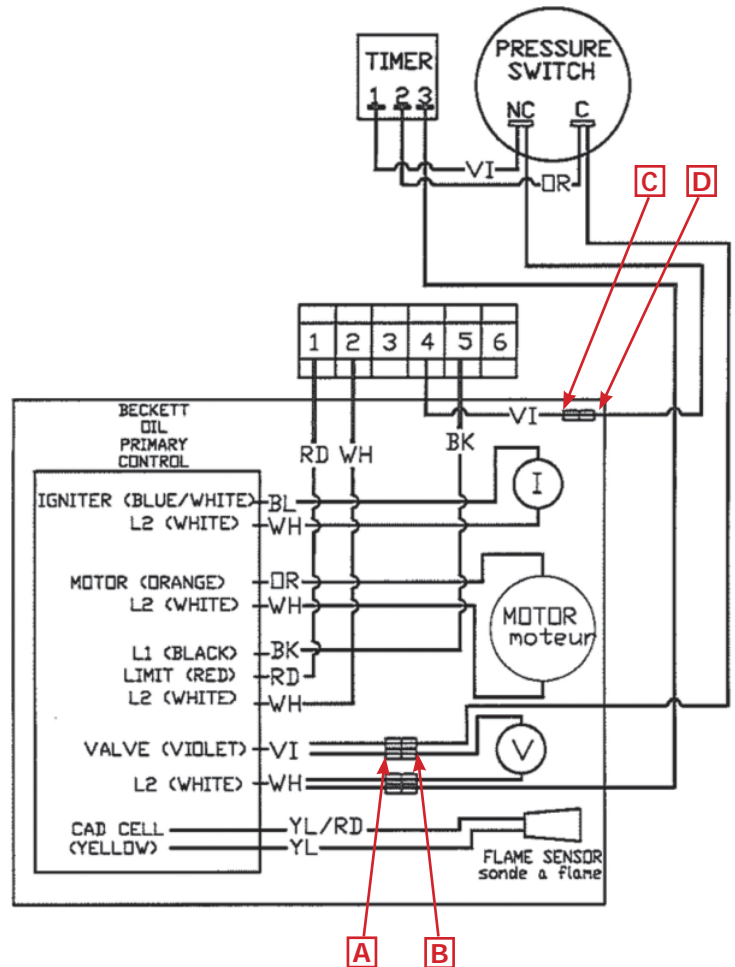
WARNING

Electric shock hazard. Turn OFF electrical power supply at service panel.

Follow instructions to rewire furnace:

1. Refer to **Figure 2**, find connection points **A**, **B**, **C** and **D**.
2. Unplug connectors at **A-B** and **C-D**.
3. Connect **A** to **C** and **B** to **D**. See **Figure 1**.
4. Assemble burner, leave pressure switch enclosure open.
5. Restore power, test fire burner using OPERATING INSTRUCTIONS found in Installation, Operation & Maintenance Manual. Verify correct operation.
6. After burner has run for a couple of minutes, disconnect wires from either pressure switch terminal to simulate a blocked vent condition de-energizing oil solenoid valve. Confirm burner shuts down and recycles.
7. Reconnect wires to pressure switch during 60 second recycle period. After 60 second recycle period burner should initiate normal ignition sequence and light normally.
8. Replace pressure switch enclosure cover.
9. Apply furnished wiring diagram label 240005124 REV B over existing wiring diagram label.
10. Resume operation using OPERATING INSTRUCTIONS found on Operating Instructions label on furnace or in Installation, Operation & Maintenance Manual.
11. Verify proper operation by following START UP PROCEDURE in Installation, Operation & Maintenance Manual.
12. Install jacket panel(s).

Figure 2 - Incorrect Wiring Diagram for WML80CB2U



Rewire Kit 550002368 - Parts List	
240009178	Letter Furnace Rewire
240009176	Response Card Furnace Rewire
240005124 REV B	Label Wiring Diagram
240009180 REV A	Instructions