

OIL FURNACE WIRING SCHEMATIC ADDENDUM

Applies to Chimney Vent Oil Furnaces with L4064B Fan/Limit Control

Diagram 1 - Direct Drive Models

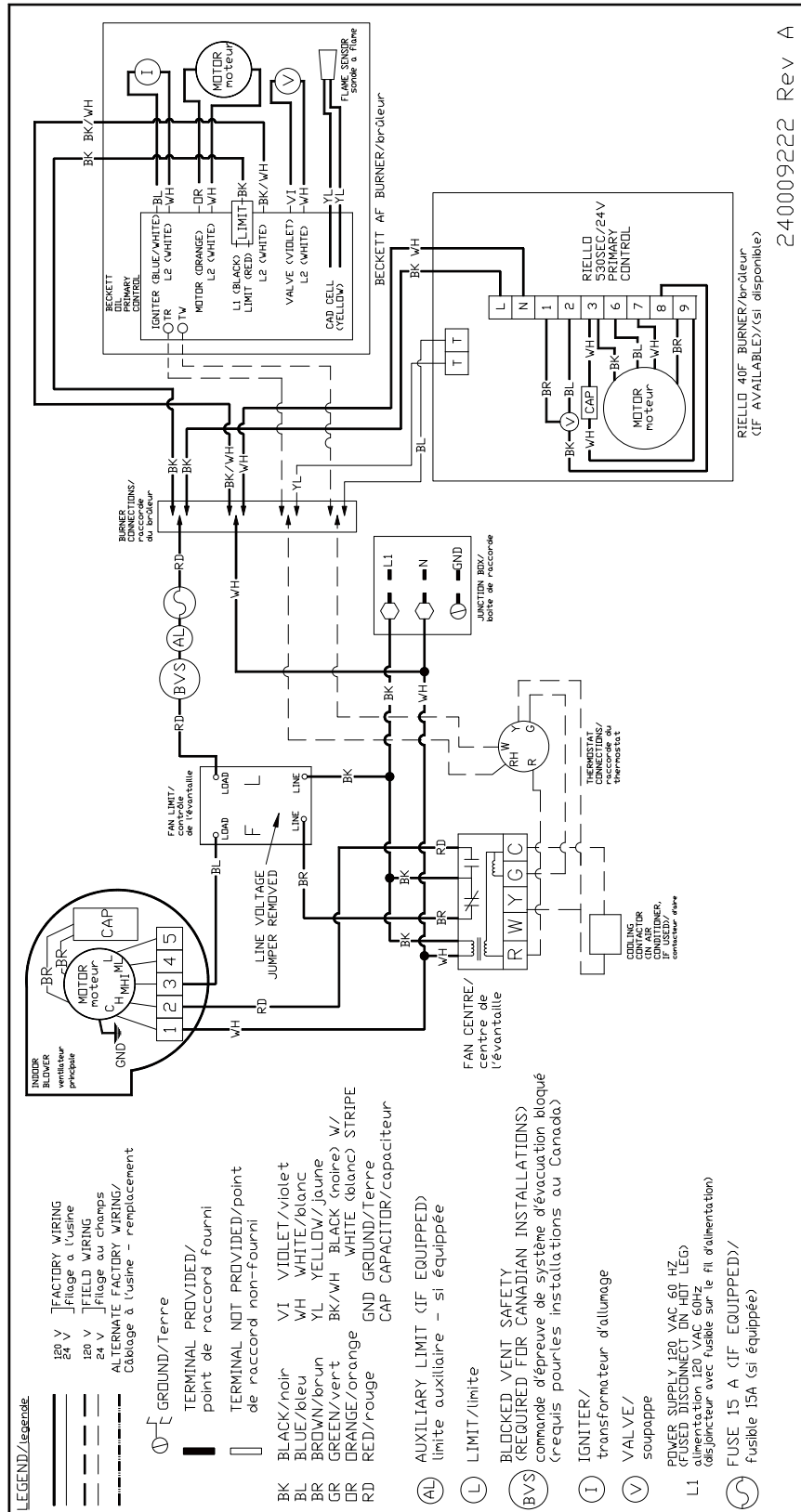


Diagram 2 - Belt Drive Models

