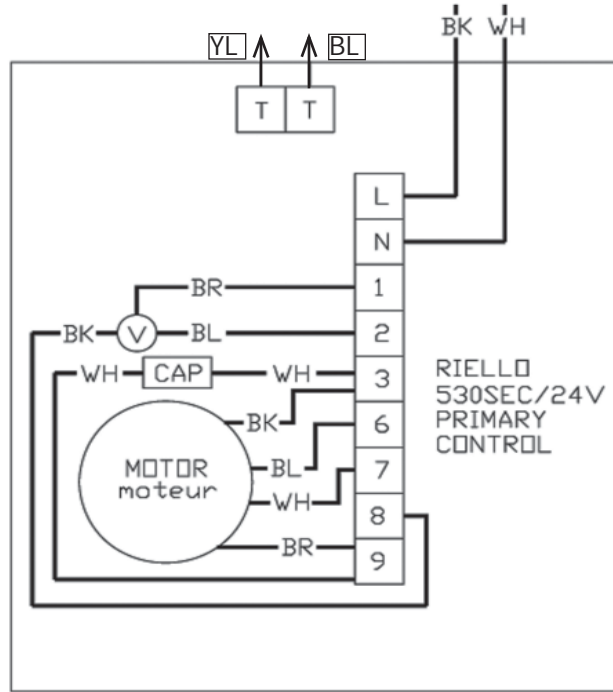


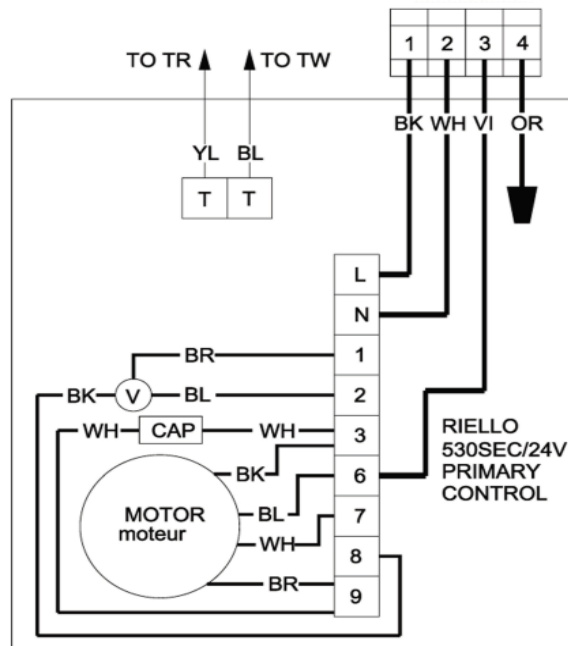
RIELLO OIL PRIMARY WIRING SCHEMATIC ADDENDUM

Changes To Wiring Internal To Oil Burner Affects only Riello Burners

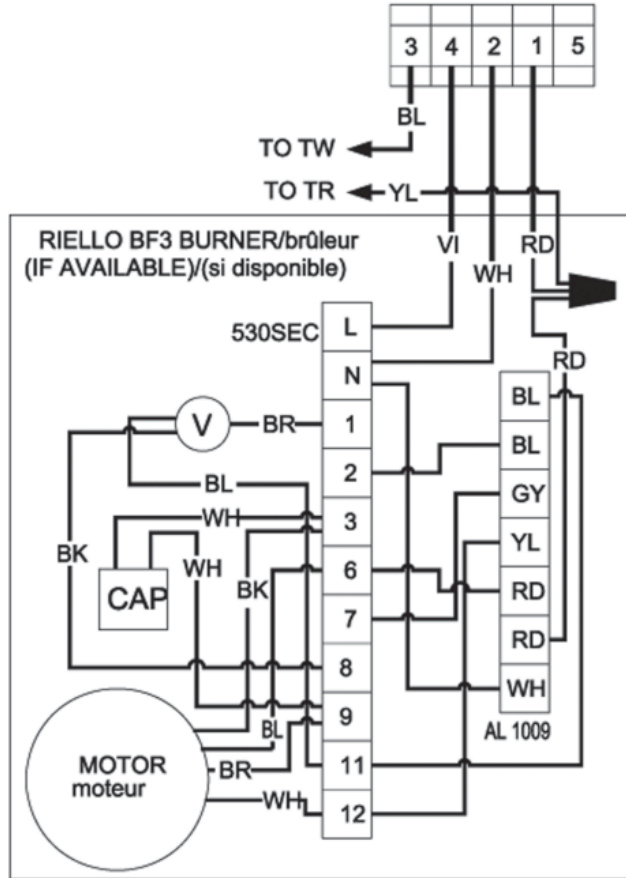
**Diagram 1 - Affects Riello 40F3 Burners Used On Chimney Vented Furnaces
With Fan And Limit Control
Models: BCL and BFL**



**Diagram 2 - Affects Riello 40F3 and 40F5 Burners Used On Chimney Vented Furnaces
With Electronic Fan Timer
Models: HML(V), BML(V), HTL(V), WML(V) AND MPL**



**Diagram 3 - Affects Riello BF3 Burners Used On Direct Vent Furnaces
With Electronic Fan Timer
Models: HML(V) - RBU and BML(V) - RBU**



**Diagram 4 - Affects Riello BF3 Burners Used On Direct Vent Furnaces
With Electronic Fan Timer
Models: WML(V) - RBU**

