



COLUMBIA BOILER COMPANY  
Main offices and Factory:  
Pottstown, PA

**Models**  
**MCC-8D**  
**MCC-8DP**  
**MCC-9D**  
**MCC-9DP**



# MCC SERIES II GAS-FIRED HOT WATER BOILERS

## PARTS AND OPTIONAL ACCESSORIES

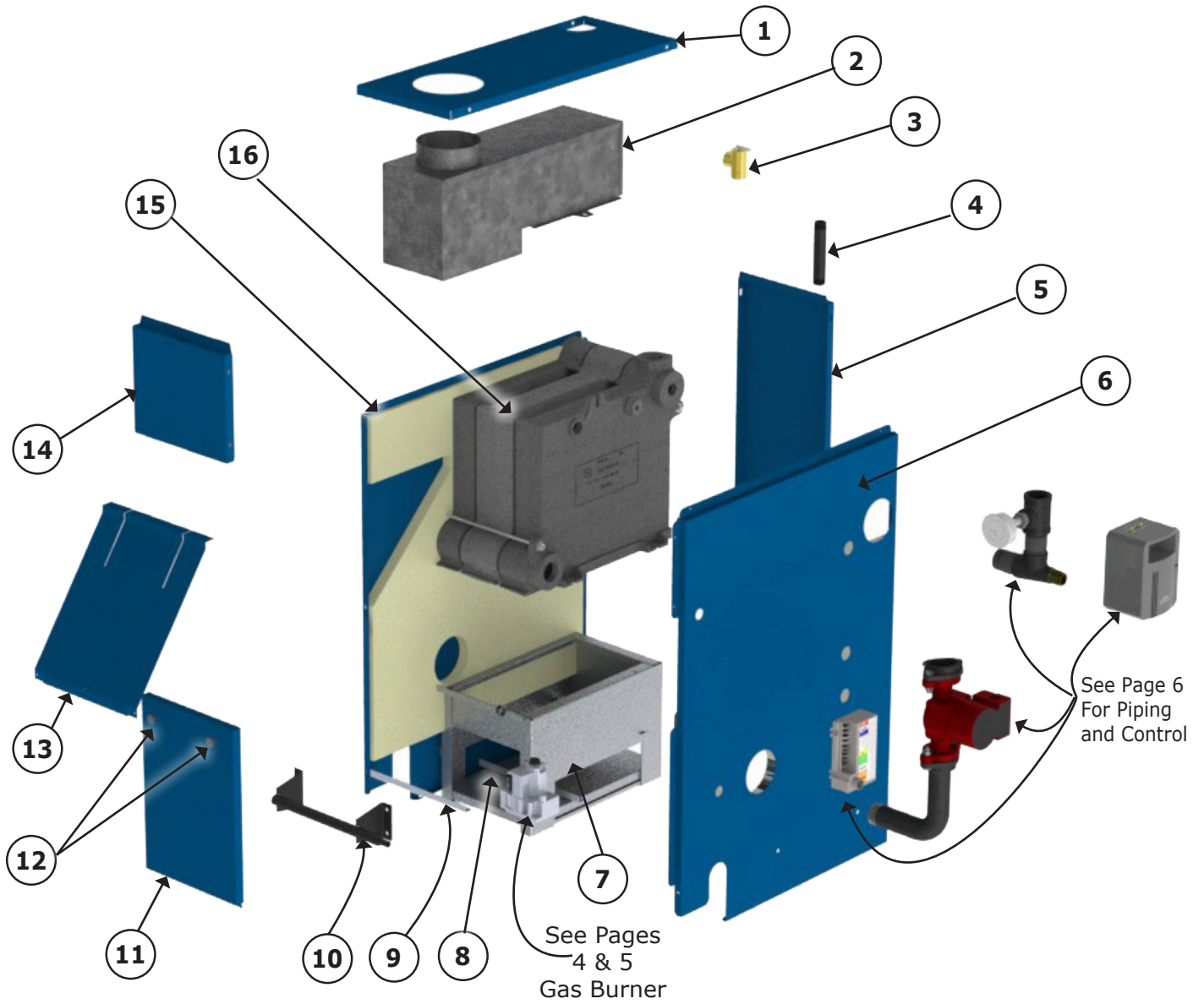
### Ordering Instructions

Order Parts through your nearest supplier.  
When ordering parts, obtain Model Number and  
Serial Number from data plate on your boiler.  
Include following information when ordering.

Part Number \_\_\_\_\_  
Part Description \_\_\_\_\_  
Boiler Model Number \_\_\_\_\_  
Boiler Serial Number \_\_\_\_\_

**Manufactured by:**  
**ECR International, Inc.**  
2201 Dwyer Avenue, Utica NY 13501  
web site: [www.ecrinternational.com](http://www.ecrinternational.com)

# REPAIR PARTS



## REPAIR PARTS

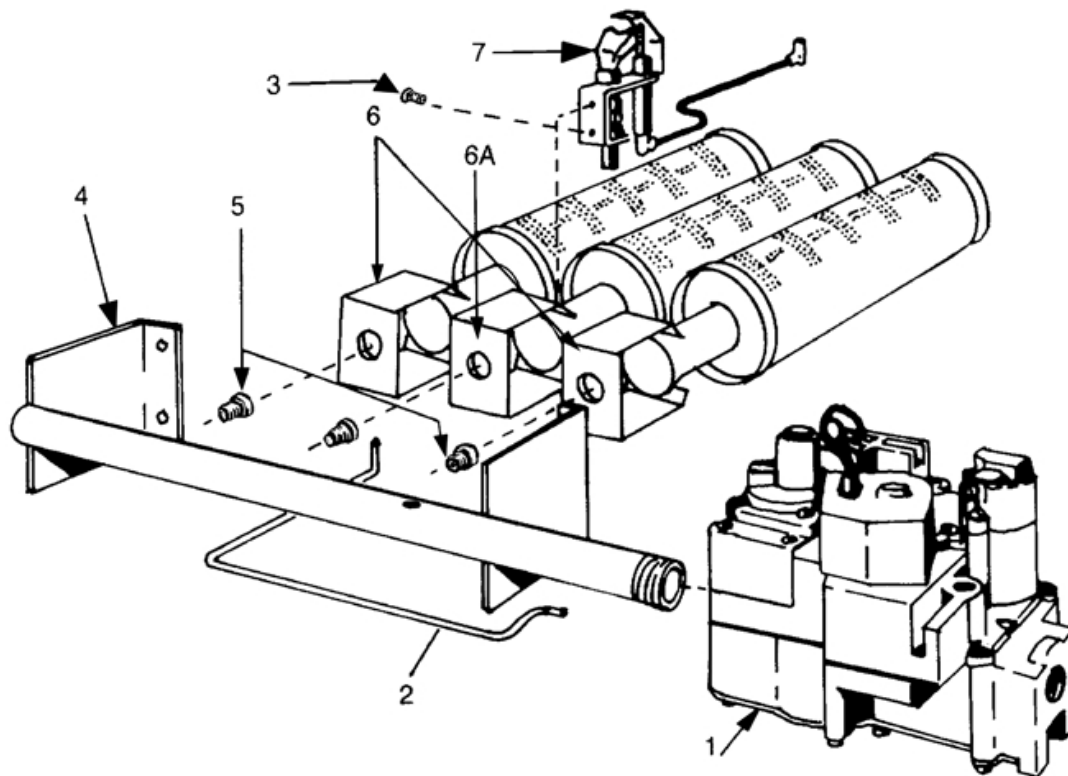
### JACKET ASSEMBLY

KEY NO.	DESCRIPTION	8	9
		SECTION	SECTION
		Part No.	Part No.
‡	Jacket Assy Complete	240009492	240009493
1	Jacket, Top Panel	42500848AC	42500849AC
2	Draft Diverter	42500678	42500679
3	Safety Relief Valve	14622011	
4	¾" x 6½" Adapter	14607002	
5	Jacket, Back Panel	42500838	42500839
6	Jacket, Right Side Panel	109008574AD	109008574AD
7a	Base	42500668	42500669
7b	Base Insulation		
	- Base Sides (2)	14614130	14614130
	- Base Front	14614118	14614119
	- Base Rear	14614128	14614129
8	Base Baffle	42500648	42500649
9	Jacket Tie Bar	42500658	42500659
10	Gas Manifold	See Pages 4 & 5	
11	Jacket, Diverter Panel	42500818	42500819
12	Knob, Service Door (Pair)	13702153	13702153
13	Jacket, Diverter	42500828	42500829
14	Jacket, Front Panel	42500808	42500809
15	Jacket, Left Side Panel	109008736AD	109008736AD
16	Block Assembly (19, 16, 15, 14, 8)	41000831	41000931
‡	Combustible Floor Plate	14614032	14614032
‡	Cerafelt Gasket	14614018	14614018
‡	Vent Damper	240006939	240006939
‡	Base Assembly Includes 7a, 7b & 8	43300668	43300669

‡ Not illustrated

## REPAIR PARTS

### **FOR USE WITH NATURAL GAS ONLY**



**NOTE: Actual gas valve may look different than gas valve shown**

NATURAL GAS BURNER & MANIFOLD PARTS <i>This is a repair parts list – NOT a packing list!</i>			
KEY NO.	DESCRIPTION		
		8 Section	9 Section
1	Gas Valve, Natural Gas	14662058	14662058
2	Pilot Tube	14615006	14615006
3	10-32 x 3/16" Slotted Hex Head Screws	14695301	14695301
4	Gas Manifold	14616015	14616016
5	Main Burner Orifice*	14615035	14615035
6	Main Burner Regulator**	14615532	14615532
6A	Main Burner, Pilot Mount	14615531	14615531
7	Pilot	14662092	14662092
‡	Rollout Shield	42500938	42500939

\*Requires 1 less than the number of sections.

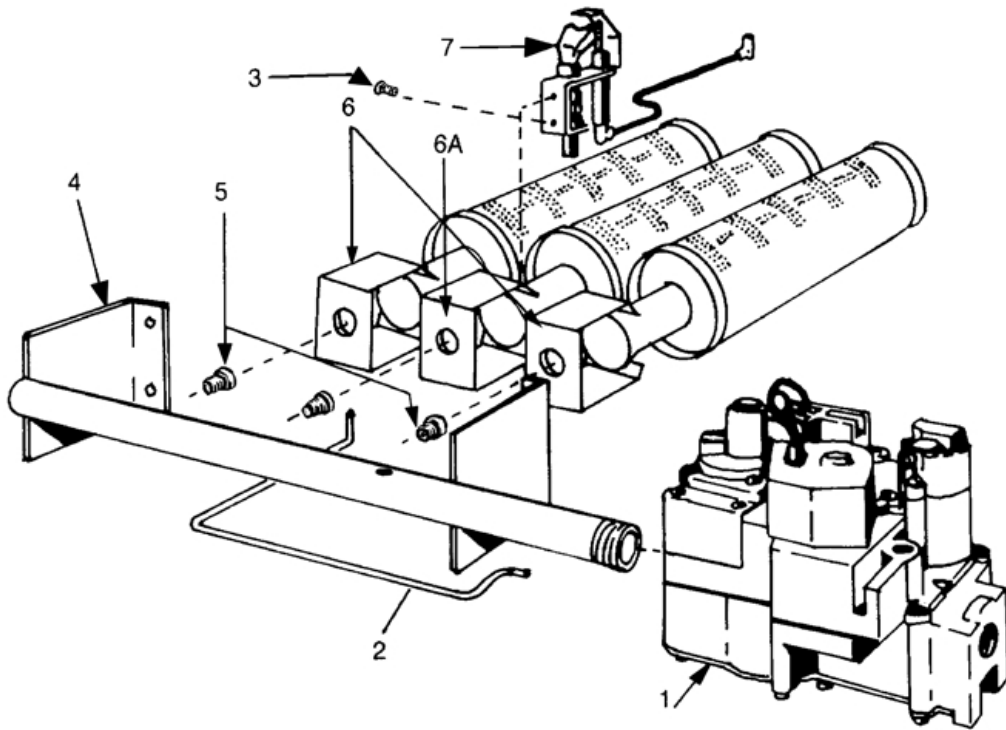
\*\*Requires 2 less than the number of sections.

‡ Not illustrated.

Quantity is 1 unless otherwise noted.

## REPAIR PARTS

### FOR USE WITH PROPANE GAS ONLY



**NOTE:** Actual gas valve may look different than gas valve shown

PROPANE GAS BURNER & MANIFOLD PARTS			
<i>This is a repair parts list – NOT a packing list!</i>			
KEY NO.	DESCRIPTION		
		8 Section	9 Section
<b>Electronic Intermittent Ignition (Shown)</b>			
1	Gas Valve, LP	240008809	240008809
2	Pilot Tube	14615006	14615006
3	10-32 x 3/16" Slotted Hex Head Screws	14695301	14695301
4	Gas Manifold	14616015	14616016
5	Main Burner Orifice*	14615036	14615036
6	Main Burner Regular**	14615532	14615532
6A	Main Burner, Pilot Mount	14615531	14615531
7	Pilot Burner (includes)***	14662092	
		PB00208	
		14662087	
‡	Rollout Shield	42500938	42500939

\* Requires 1 less than the number of sections.

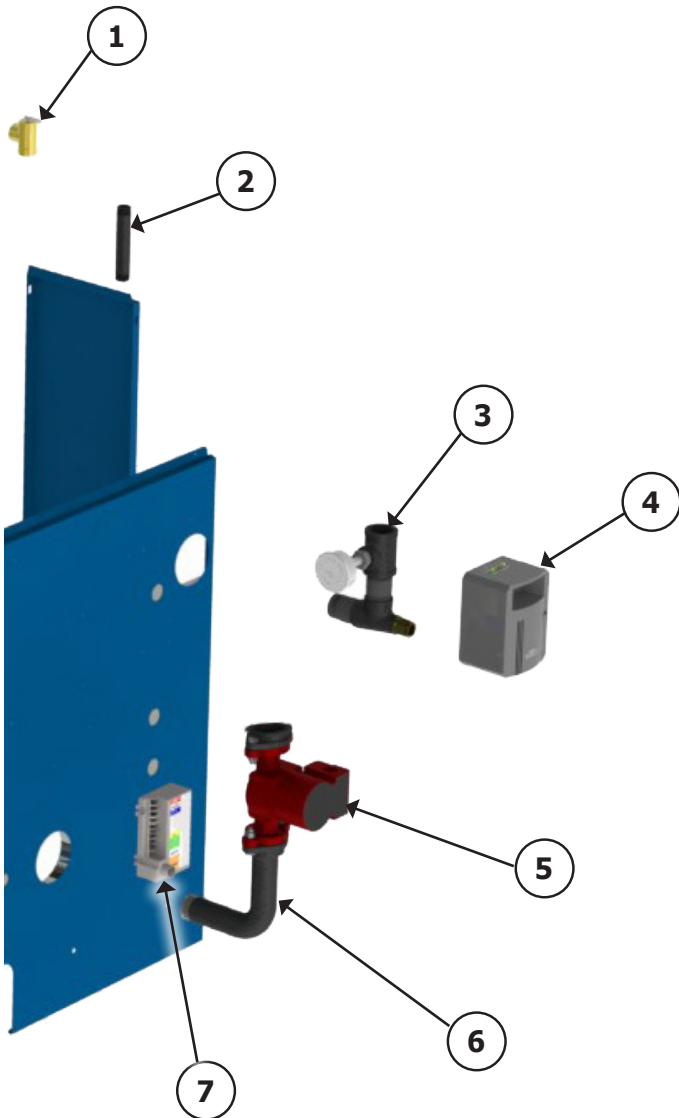
\*\*Requires 2 less than the number of sections.

‡ Not illustrated.

Quantity is 1 unless otherwise noted.

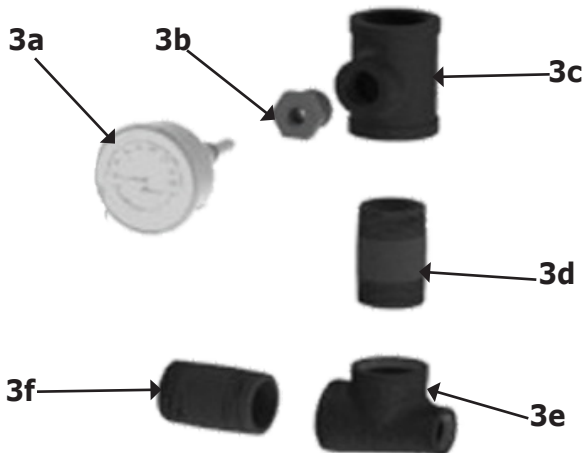
\*\*\* Pilot shipped natural gas only orifice and fitting required for LP conversion

**BOILER CONTROLS AND PIPING**



Key No.	Description	Part No.	
1	3/4" ASME Relief Valve	14622011	
2	3/4" x 6 1/2" Nipple	14607002	
3	3a	Temperature Pressure Gauge - 2" shank	1260006SP
	3b	Bushing, 3/4" x 1/4", Black Iron	1060002
	3c	Tee, 1 1/4" x 1 1/4" x 3/4", Black Iron	PF05901
	3d	Adapter, 1 1/4" x 2 1/2", Black Iron	14607044
	3e	1 1/4" x 3/4" x 1 1/4" Tee	1510001
	3f	1 1/4" x 2 1/2" Nipple	14607044
4	Hydrolevel Control	240009113	
5	Grundfos Pump UP15-42F Circulator	CI006.01	
	Taco Pump 007	CI-001.03	
6	1 1/4" Bent Return Adapter	14607003	
7	Intermittent Pilot Control	14662070	
‡	Sensor Clip	240008013	
‡	Sensor Well	240007709	
‡	Blocked Vent Safety Switch (36TX16-6282) 280°F	1500009	
‡	Rollout Switch	14629002	
‡	5" Vent Damper	240006937	
‡	6" Vent Damper	240006938	
‡	7" Vent Damper	240006939	
‡	2 1/2" x 1 1/4" Bushing (2 Required)	14693008	
‡	2 1/2" Plug	14693024	
‡	2 1/2" x 3/4" Bushing	14693083	
‡	1/2" Plug (3 Required)	1395003	
‡	400°F Black Silicone Rubber Adhesive Sealant (10.3 oz. Cartridge)	240006837	

**Temperature Pressure Gauge Assembly**



‡ Not illustrated

**REPAIR PARTS****MISCELLANEOUS PARTS**

<b>DESCRIPTION</b>	<b>PART NUMBER</b>	<b>QTYo.</b>
Circulator Harness	37519501	1
Damper Harness, 60"	240005480	1
Wire Harness, Rollout/Blocked Vent Safety Switch	37513301	2
Wire Harness, Gas Valve	43300942	1
Strain Relief Connector	EF-016.01	1
Wire Clip	240010487	1
Bushing, 7/8 to 3/4	206000023	1
Strain Relief Bushing	14634032	2
Screw, 10 x 12	14695074	2



---

**Columbia Boiler Company**  
Pottstown, PA