



Model No.
UH3KW0.60
UH3KW0.75
UH3KW1.00
UH4KW0.90
UH4KW1.25
UH4KW1.50
UH5KW1.20
UH5KW1.75
UH5KW2.00



SERIES II OIL-FIRED CAST IRON HOT WATER BOILER

Repair Parts, Optional Kits

Ordering Instructions

Order Parts through your nearest supplier.

When ordering parts, obtain Model Number and Serial Number from data plate on your boiler.

Include following information when ordering.

Part Number _____

Part Description _____

Boiler Model Number _____

Boiler Serial Number _____

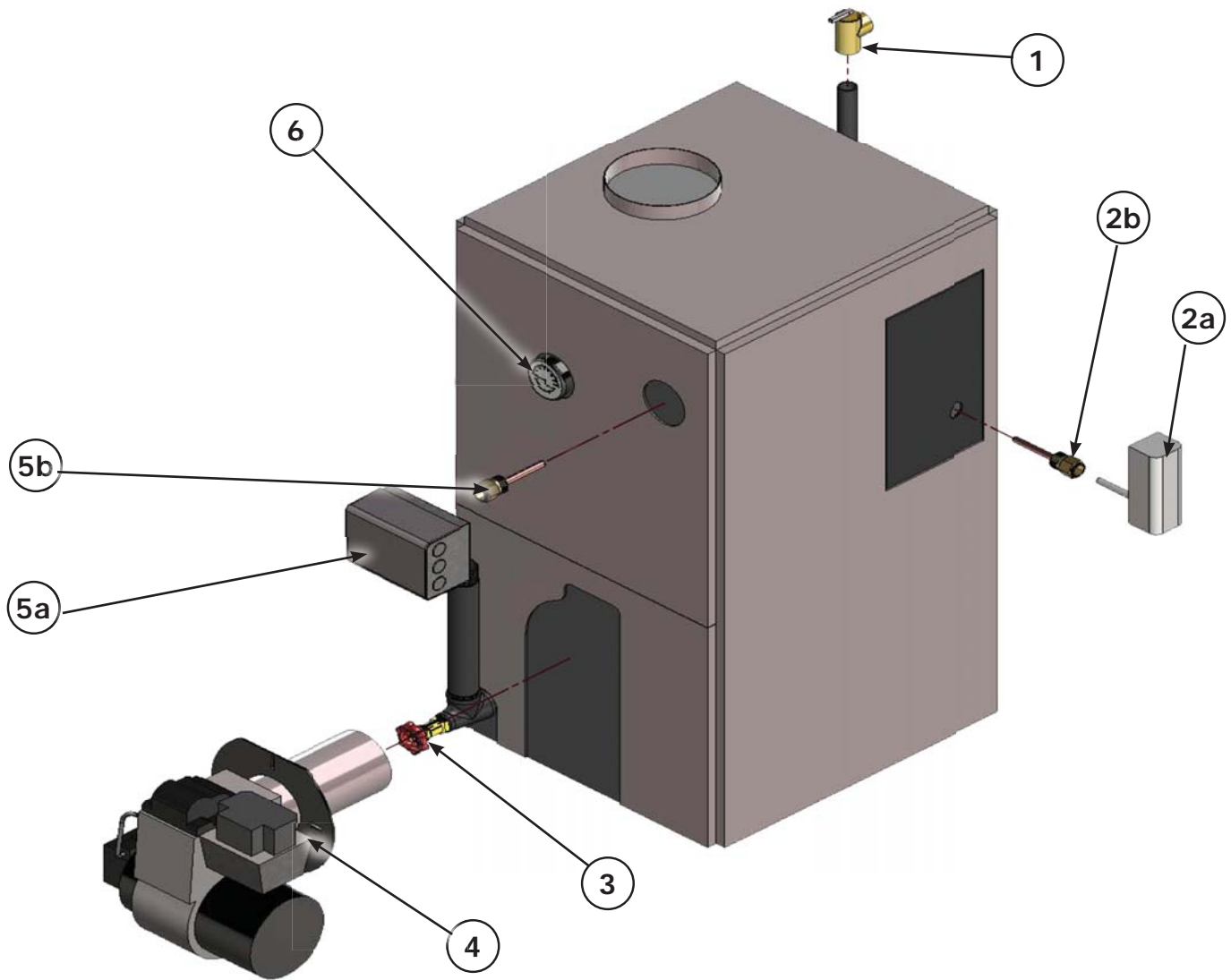


An ISO 9001-2008 Certified Company

Manufactured by:
ECR International, Inc.
2201 Dwyer Avenue, Utica NY 13501
web site: www.ecrinternational.com

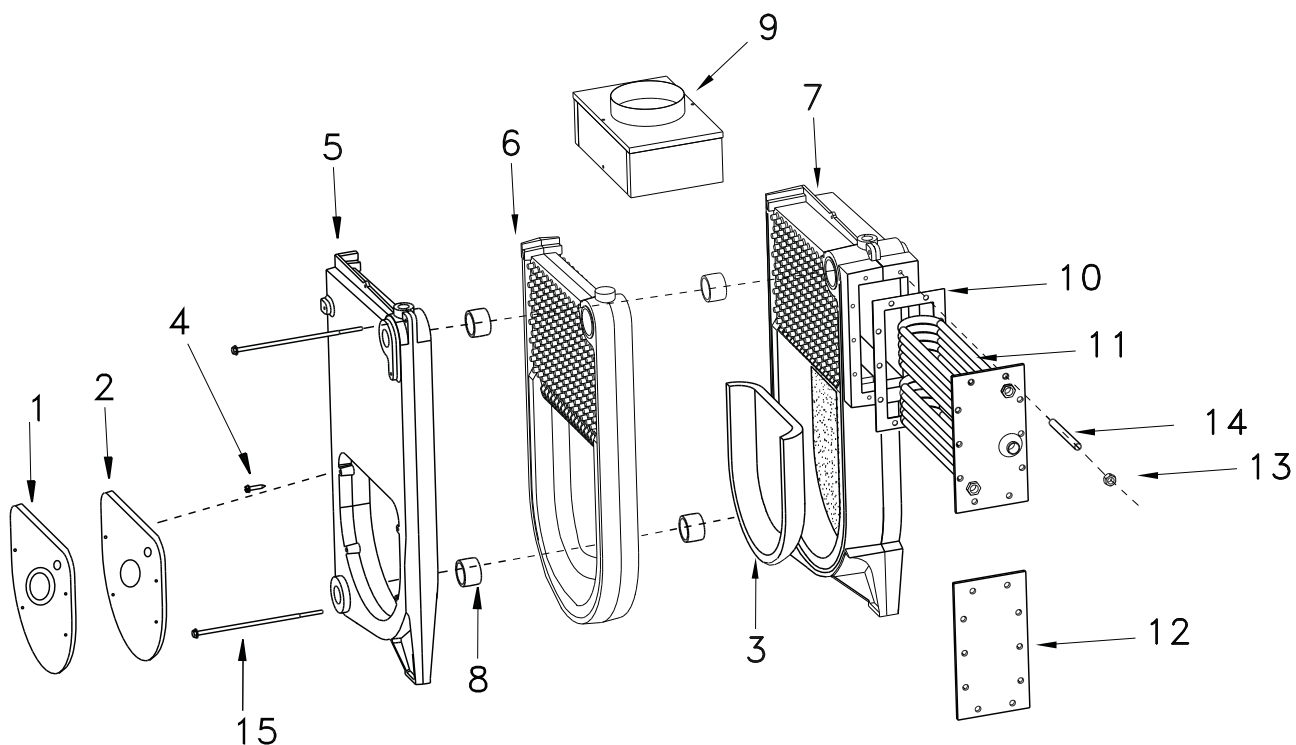
P/N# 240009463, Rev. A [04/2012]

CONTROLS AND PIPING



	Description	Models		
		3K	4K	5K
1	Safety Relief Valve, Conbraco 10-408-05		14622011 (1)	
2a	Low Limit, Honeywell L4006A		AQ-008.00 (1)	
2b	Well, Honeywell 123870A		1635001 (1)	
3	Drain Valve		240009323 (1)	
4	Oil Burner, Beckett AFG	240009456	240009457	240009458
5a	Limit, Honeywell L7248L		240009128 (1)	
5b	Well, Honeywell 123870A		1635001 (1)	
5c †	Sensor, Honeywell 50001464-001		240007686 (1)	
6	Temperature/Pressure Gauge		1260006 (1)	
†	Circulator - Grundfos UP15		CI-006.01 (1)	
† = not shown				

HEAT EXCHANGER

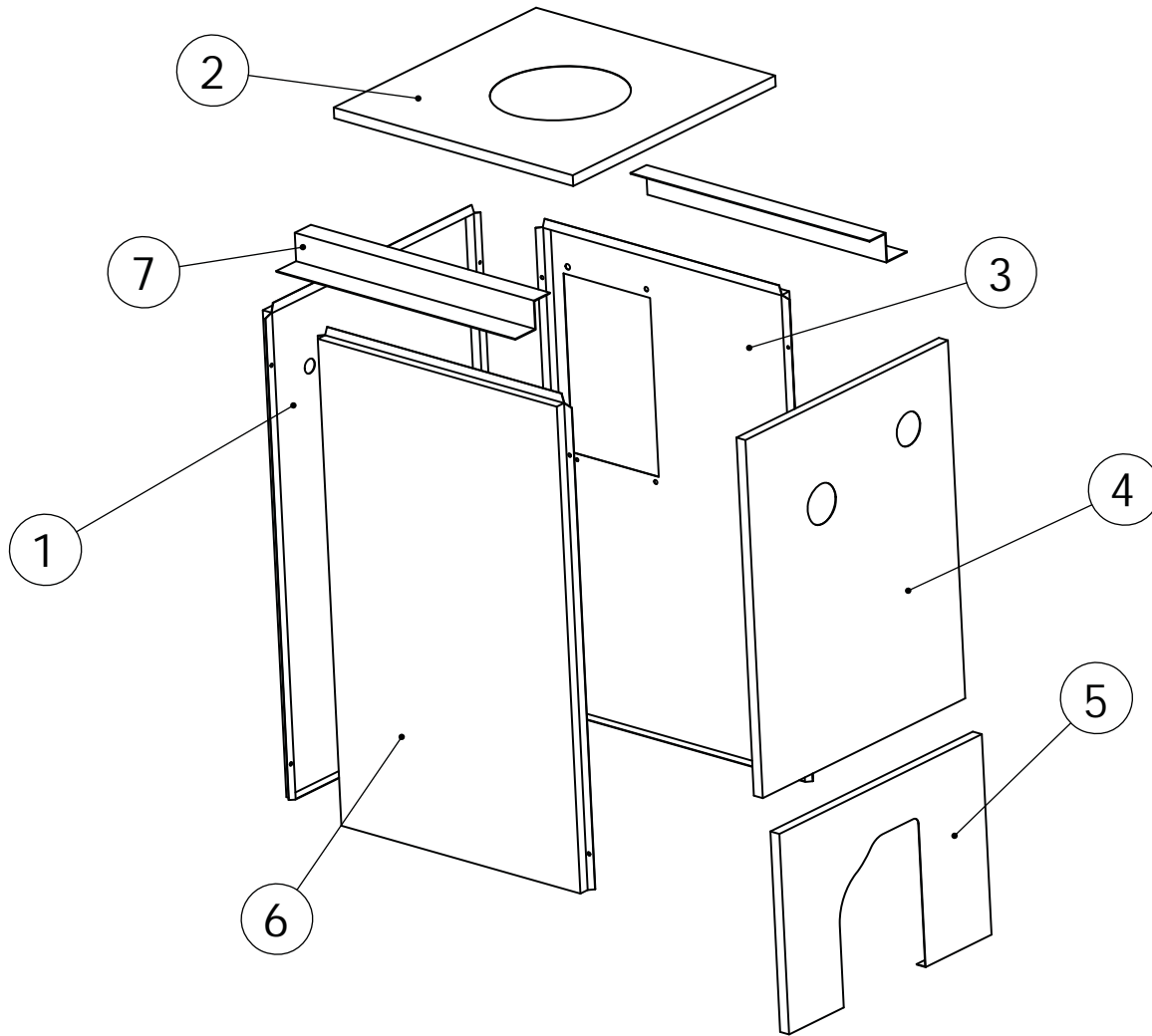


ITEM	DESCRIPTION	MODELS		
		3K	4K	5K
1	Burner Mounting Plate		40300004 (1)	
2	Burner Mounting Plate Insulation		14614015 (1)	
3	Target Wall		14619003 (1)	
4	5/16" - 18 x 2 1/4" Stud (4 required)		14695043 (4)	
5	Front Section		40300015 (1)	
6	Middle Section	40300007 (1)	40300007 (2)	40300007 (3)
7	Back Section		40300008 (1)	
8	Cast Iron Machined 2" Nipple*	43300976 (4)	43300976 (6)	43300976 (8)
9	Flue Collector - Complete	42500276 (1)	42500277 (1)	42500278 (21)
10	Tankless Heater Coil/Cover Plate Gasket		240007071 (1)	
11	Tankless Heater		14627020 (1)	
12	Tankless Heater Cover Plate		43300256 (1)	
13	Nut, 3/8-16 Hex		1330008 (10)	
14	Stud 3/8" - 16 x 1 1/2"***		14695113 (10)	
15	1/4" Tie Rods	14605002 (2)	14605051 (2)	14605053 (2)
15a	Nut, 1/4-20 Hex		HW-003.02 (2)	

*Four are required for first middle replacement section and two for each additional section

REPAIR PARTS

JACKETS



Item	Description	Models		
		3K	4K	5K
1	Back Panel	42500271AD (1)		
2	Top Panel	42500251AD (1)	42500252AD (1)	42500253AD (1)
3	Right Panel	42500241AD (1)	42500242AD (1)	42500243AD (1)
4	Upper Front Panel	42500270AD (1)		
5	Lower Front Panel	42500272AD (1)		
6	Left Panel	42500261AD (1)	42500262AD (1)	42500263AD (1)
7	Z Bars	42500273 (2)		
Complete Jacket		42500286AD	42500287AD	42500288AD