

OIL FIRED CAST IRON  
HOT WATER BOILER

**PARTS, KITS &  
OPTIONAL ACCESSORIES**

**Models (Series C)**

**BW4BAH-91  
BW4RAH-91  
BW5BAH-91  
BW5RAH-91**

**BW4BAH-126  
BW4RAH-126  
BW5BAH-126  
BW5RAH-126**

**BW4BAH-168  
BW4RAH-168  
BW5BAH-168  
BW5RAH-168**

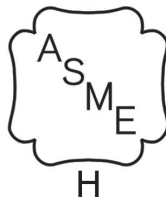
**BW4BAH-105  
BW4RAH-105  
BW5BAH-105  
BW5RAH-105**

**BW4BAH-175  
BW5RAH-175  
BW5BAH-175  
BW5RAH-175**

**BW4BAH-245  
BW4RAH-245  
BW5BAH-245  
BW5RAH-245**

**BW4BAH-140  
BW4RAH-140  
BW5BAH-140  
BW5RAH-140**

**BW4BAH-210  
BW4RAH-210  
BW5BAH-210  
BW5RAH-210**



*Select Models*



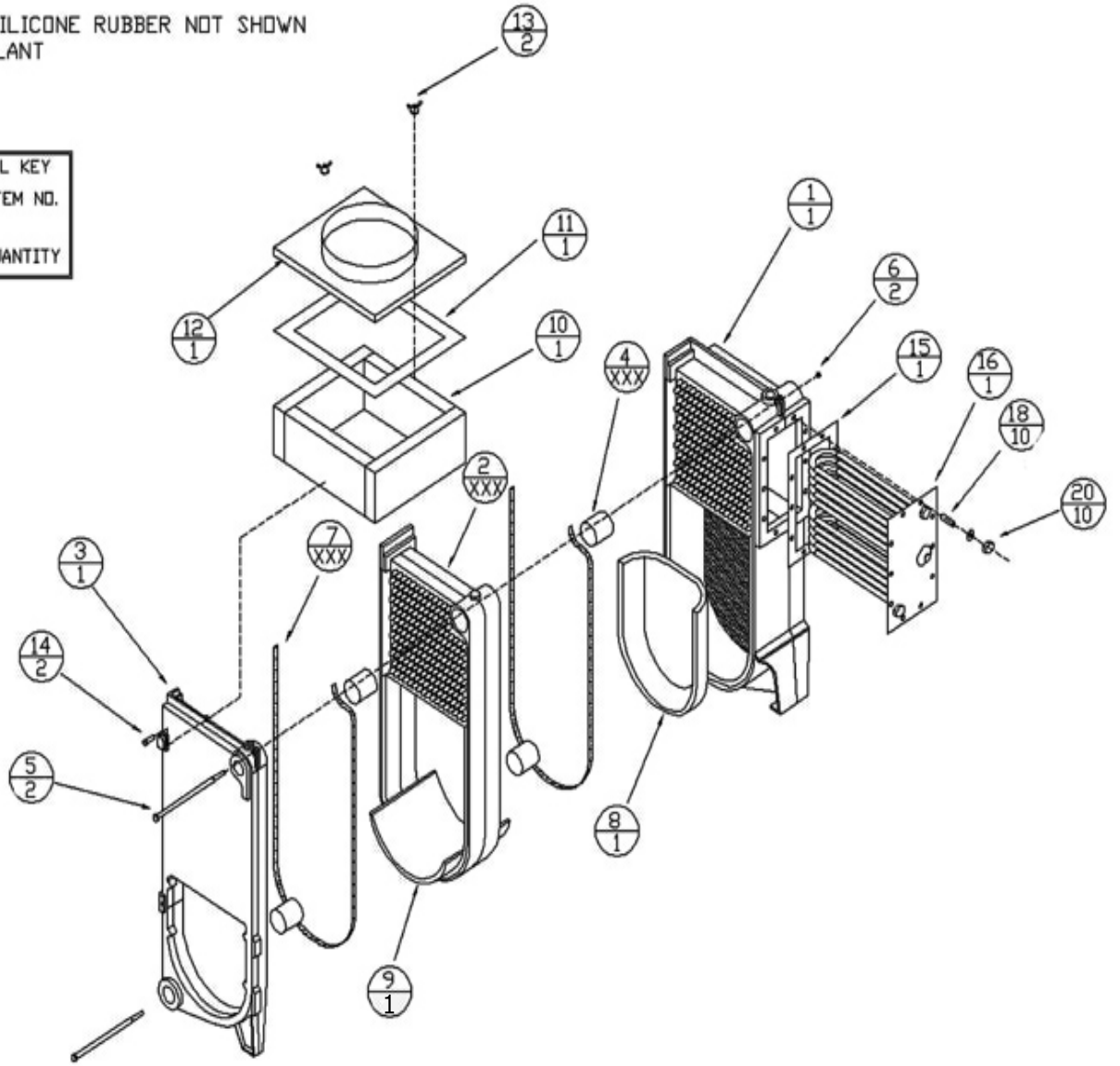
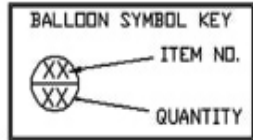
**CAC/BDP**  
7310 West Morris St.  
Indianapolis, IN. 46231

# REPAIR PARTS

17/1 COVER PLATE FOR BOILERS WITHOUT TANKLESS COIL NOT SHOWN

21/2 1 1/4" SQUARE HEAD PLUGS NOT SHOWN

22/XXX 400°F BLACK SILICONE RUBBER NOT SHOWN  
ADHESIVE SEALANT



## REPAIR PARTS

ITEM	DESCRIPTION	3 Section	4 Section	5 Section
1	Water Boiler Back Section	40300008	40300008	40300008
2	Water Boiler Middle Section	40300007	40300007	40300007
3	Water Front Section	40300006	40300006	40300006
4*	Cast Iron Machined Nipples 2"	43300976	43300976	43300976
5*	1/4" Tie Rods	14605002	14605051	14605053
6	Tie Rods 1/4"20 Hex Head Nut	HW-003.02	HW-003.02	HW-003.02
7*	5/16" x 701/2" Braided Rope	43300955	43300955	43300955
8	Target Wall	14619003	14619003	14619003
9	1/2" thick Durablanket	420001139	420001140	420001141
10	Collector Complete (plus item 11, 12, 13)	42500279	42500280	42500281
11	Insulation Tape (plus items 10, 12, 13)	42500279	42500280	42500281
12	Collector Top (plus items 10,11,13)	42500279	42500280	42500281
13	8/32" Brass Wing Nut	13704007	13704007	13704007
14	5/16 X 1¼ Type A Hex Washer Head Screw	14695039	14695039	14695039
15**	Coil Gasket	240007071	240007071	240007071
16**	3.7 GPM Tankless Coil	14627020	14627020	14627020
17	Coil Housing Cover Plate (not shown)	43300256	43300256	43300256
18**	Stainless Steel 3/8"16 x 11/2" Stud	14695113	14695113	14695113
20**	Stainless Steel 3/8" Top Lock Nut	1330008	1330008	1330008
21	1¼" Solid Plug (not shown)	1395002	1395002	1395002
22	Black Silicone Sealant (not shown)	240006837	240006837	240006837
‡	Battery	40300303	40300403	40300503
‡	**Replacement Coil Kit (contains items 15, 16, 18, 20)	43360408	43360408	43360408

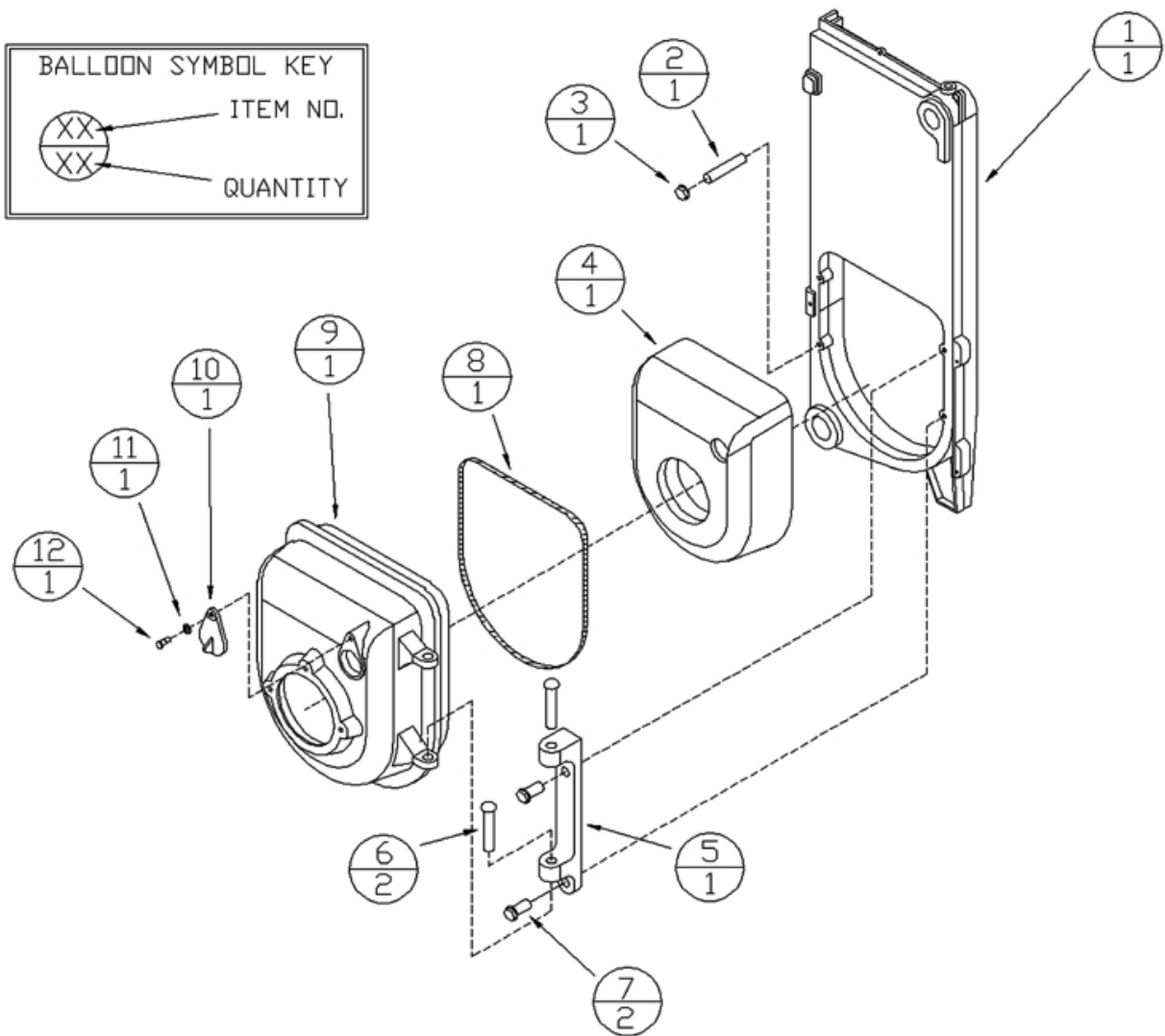
\* Note: Item quantities marked XXX vary depending upon the number of sections. Four cast iron nipples for first middle replacement section and two for each additional section. Black silicone sealant is sold in 10.1 oz. Cartridges.

‡ Not illustrated.

## ACCESSORIES

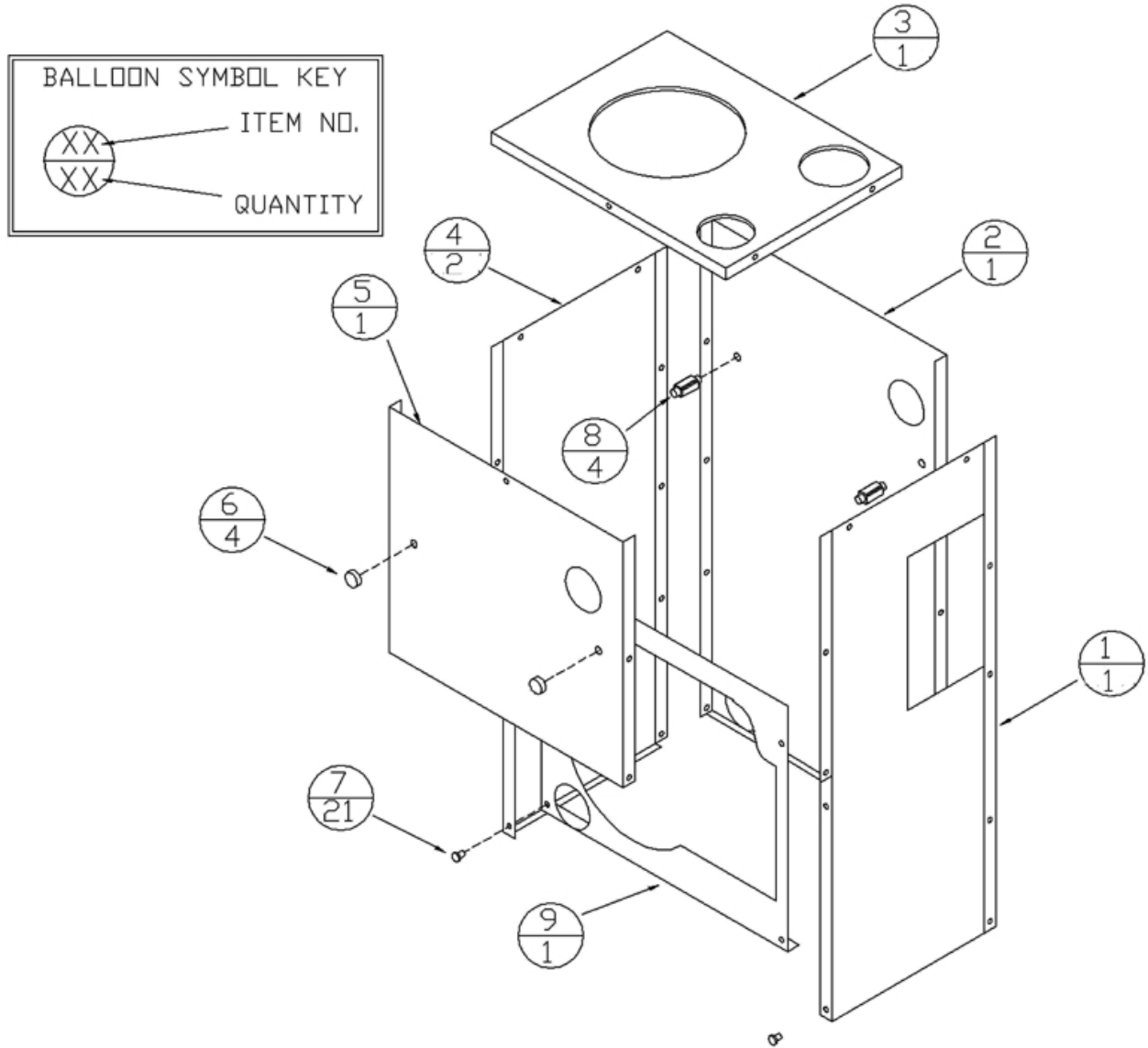
DESCRIPTION	PART #
Filltrol Package (Up to 150,000 BTUH)(Includes Air Purge Extrol Tank and Fill Valve)	KBAFP0201DNK
Filltrol Package (Over 150,000 BTUH) (Includes Air Purge Extrol Tank and Fill Valve)	KBAFP0301DNK
* High Limit Control	KBAHL0101DNK
Tankless Water Heater Kit	KBATH0101DNK
Combustible Floor Base, 24" x 30"	KBASB0301DNK
Low Water Cut-off Kit	KBALW0101DNK
Low Fire Rate Kit (FO Head) (91,000 BTUH input BW4B/BW5B)	KBALF0101DNK
Low Fire Rate Kit (F3 Head) (126,000 BTUH input BW4B/BW5B)	KBALF0201DNK
* Accessory High Limit Control is a strap on aquastat used as an auxiliary limit or reverse acting circulator control	

## REPAIR PARTS



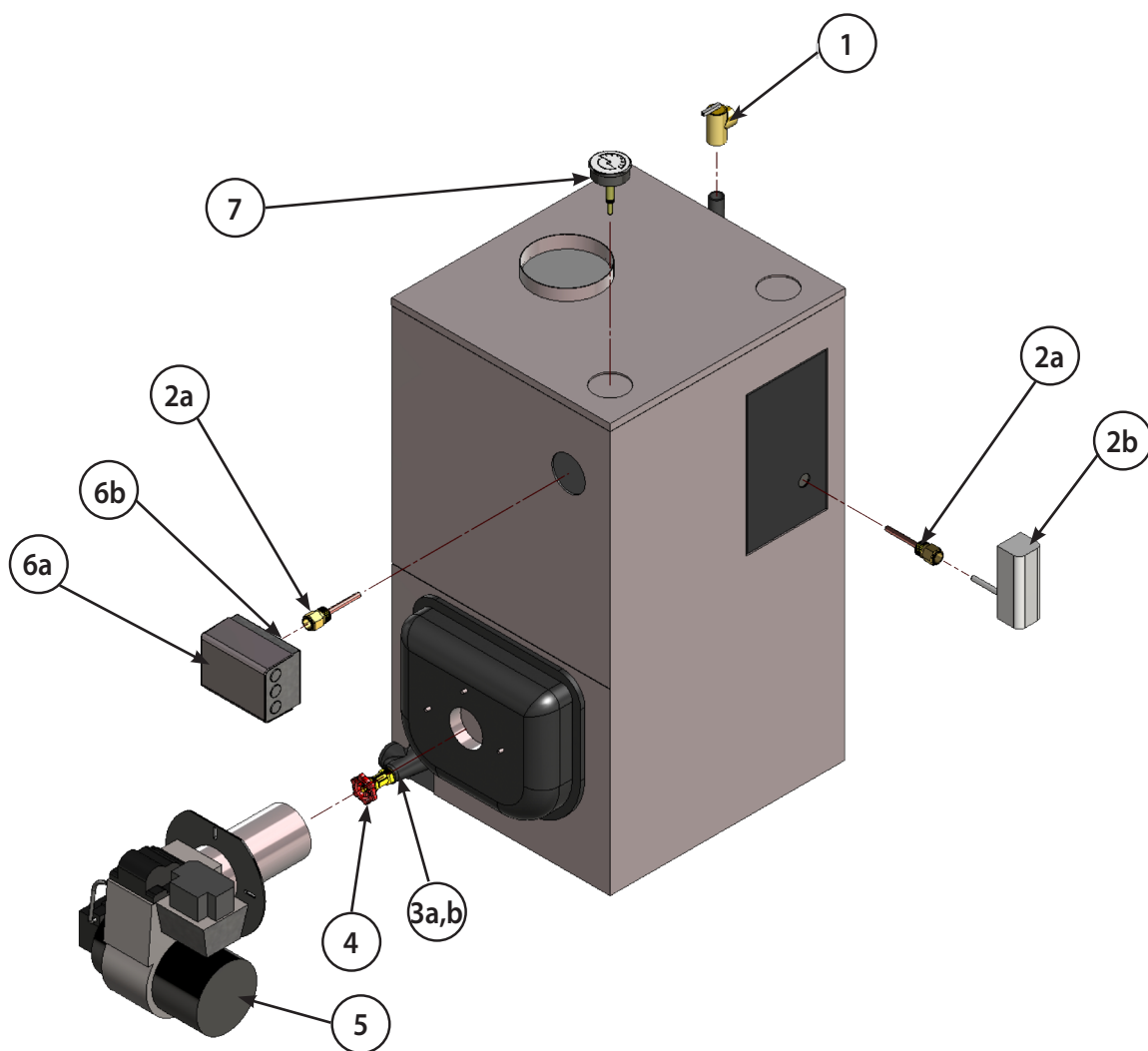
ITEM	DESCRIPTION	PART#
1	Water Front Section	40300006
2	3/8" - 16 X 2-1/4" stud	14695125
3	3/8" Whizlock Nut	14695126
4	Swing Door Insulation	14614014
5	Swing Door Hinge	40300010
6	1/4" x 2" Round Head Rivet	14695121
7	3/8" x 1" Hex Head Serrated Flange Bolt	14695124
8	3/8" x 48" Round Braid	43300905
9	Swing Door	40300009
10	Observation Door	40300014
11	5/16" Lock Washer	14695123
12	3/8" x 3/8" Shoulder Bolt 5/16"-18 Thread	14695122

## REPAIR PARTS



ITEM	DESCRIPTION	3 Section	4 Section	5 Section
1	Right Side Jacket Panel	42570244AB	42570245AB	42570246AB
2	Back jacket Panel	42570269AB	42570269AB	42570269AB
3	Top jacket Panel	42570254AB	42570255AB	42570256AB
4	Left Side Jacket Panel	42570264AB	42570265AB	42570266AB
5	Upper Side Jacket Panel	42570267AB	42570267AB	42700267AB
6	5/16" Acorn Nut	14695042	14695042	14695042
7	#10 x 1/2" Jacket Screw	14695074	14695074	14695074
8	Stand Off	14695103	14695103	14695103
9	Lower Front Jacket Panel (boiler w/swing door)	42570268AB	42570268AB	42570268AB
XX	Complete Jacket for Boiler with Swing Door	42670289AB	42670290AB	42670291AB

## REPAIR PARTS



ITEM	DESCRIPTION	3 Section	4 Section	5 Section
1	¾" Safety Relief Valve	14622011	14622011	14622011
2a	Well,¾" x 1½", Honeywell 123870A		1635001	
2b	Low Limit Control (BW5 - w/Tankless Coil Only)		AQ-008.00	
3a	1¼" x 2½" Pipe Nipple	14607044	14607044	14607044
3b	1¼" x ¾" x 1¼" Reducing Tee	1510001	1510001	1510001
4	¾" Drain Valve	240009323	240009323	240009323
5	Oil Burner, Beckett AFG	1050036	1050037	1050038
	Oil Burner, Riello	1050006	1050006	14619011
6a	Limit, Honeywell L7248L		240009128	
6b	Sensor, Honeywell 50001464-001		240007686	
7	Temperature/Pressure Gauge 2" Stem	1260006	1260006	1260006
*	Taco 007 Circulator		CI-001.03	

\* Not Shown

## BECKETT OIL BURNER, NOZZLE AND AIR SETTING

BOILER MODEL	DELEVAN OIL NOZZLE	INPUT RATE (gph)	HEAD-ADJ. OR SETTING	LOW FIRE BAFFLE	AIR SHUTTER/BAND	STATIC PLATE	BURNER MODEL	RERATE KIT
BW(4,5) BAH-91*	0.50-80° B	0.65	F0 - 1 1/8	YES	10/0	3 5/8	AFG F-HEAD	KBALF0301DNK
BW(4,5) BAH-105	0.65-70° B	0.75	F3 - 1 1/8	YES	10/0	3 1/2	AFG F-HEAD	KBALF0401DNK
BW(4,5) BAH-140	0.85-70° B	1.00	F3 - 1 1/8	NO	10/2	3 1/2	AFG F-HEAD	KBALF0501DNK
BW(4,5) BAH-126	0.75-80° A	0.90	F3 - 1 1/8	NO	8/0	3 1/2	AFG F-HEAD	KBALF0601DNK
BW(4,5) BAH-175	1.00-80° A	1.25	F6 - 1 1/8	NO	10/0	3 5/8	AFG F-HEAD	KBALF0701DNK
BW(4,5) BAH-210	1.25-80° A	1.50	F6 - 1 1/8	NO	10/2	3 5/8	AFG F-HEAD	KBALF0801DNK
BW(4,5) BAH-168	1.00-60° B	1.20	0	NO	10/1.5	2 3/4	AFG 50 MD	KBALF0901DNK
BW(4,5) BAH-245	1.50-45° B	1.75	2	NO	10/4	2 3/4	AFG 50 MD	

\*To fire the 3 section 91 on rate, the oil pressure must be increased to 175 psig. All Beckett oil burners for the BW boilers are factory preset at 140 psig.

## RIELLO OIL BURNER, NOZZLE AND AIR SETTING

BOILER MODEL	DELEVAN OIL NOZZLE	INPUT RATE (gph)	TURBULATOR/AIR SHUTTER SETTING	OIL PRESSURE (PSIG)*	BURNER MODEL	RERATE KIT
BW(4,5) RAH-91*	0.50-70° W	0.65	0.50/2.0	155	F5	KBALF1001DNK
BW(4,5) RAH-105	0.65-70° W	0.75	2.0/2.2	150	F5	
BW(4,5) RAH-140	0.85-70° W	1.00	2.0/3.2	170	F5	
BW(4,5) RAH-126	0.75-70° W	0.90	1.5/2.6	160	F5	KBALF1101DNK
BW(4,5) RAH-175	1.00-70° W	1.25	2.5/3.8	170	F5	
BW(4,5) RAH-210	1.25-70° W	1.50	4.0/7.0	175	F5	
BW(4,5) RAH-245	1.50-70° W	1.75	2.0/3.8	155	F10	KBALF1201DNK

\*All Riello 40 F5 and F10 oil burner are factory preset at 145 psig.

**NOTE: All burners use an insertion depth of 2 1/4" and fired at a over-fire draft of 0.02 inches w.c. The burner settings provided are intended for initial start up only. Final adjustment must be made using combustion test instruments.**

**CAC/BDP BOILERS**  
2201 Dwyer Ave.  
Utica, New York 13501