

Cast Iron Gas Boiler
For Forced Hot Water

**REPAIR PARTS
AND
OPTIONAL ACCESSORIES**

Models

BWBAAN000045

BWBAAN000070

BWBAAN000096

BWBAAN000120

BWBAAN000145

BWBAAN000170

BWBAAN000195

BWBAAN000245

BWBAAN000295

Ordering Instructions

Order Parts through your nearest supplier.

When ordering parts, obtain Model Number from data plate on your boiler.

Include following information when ordering.

Part Number_____

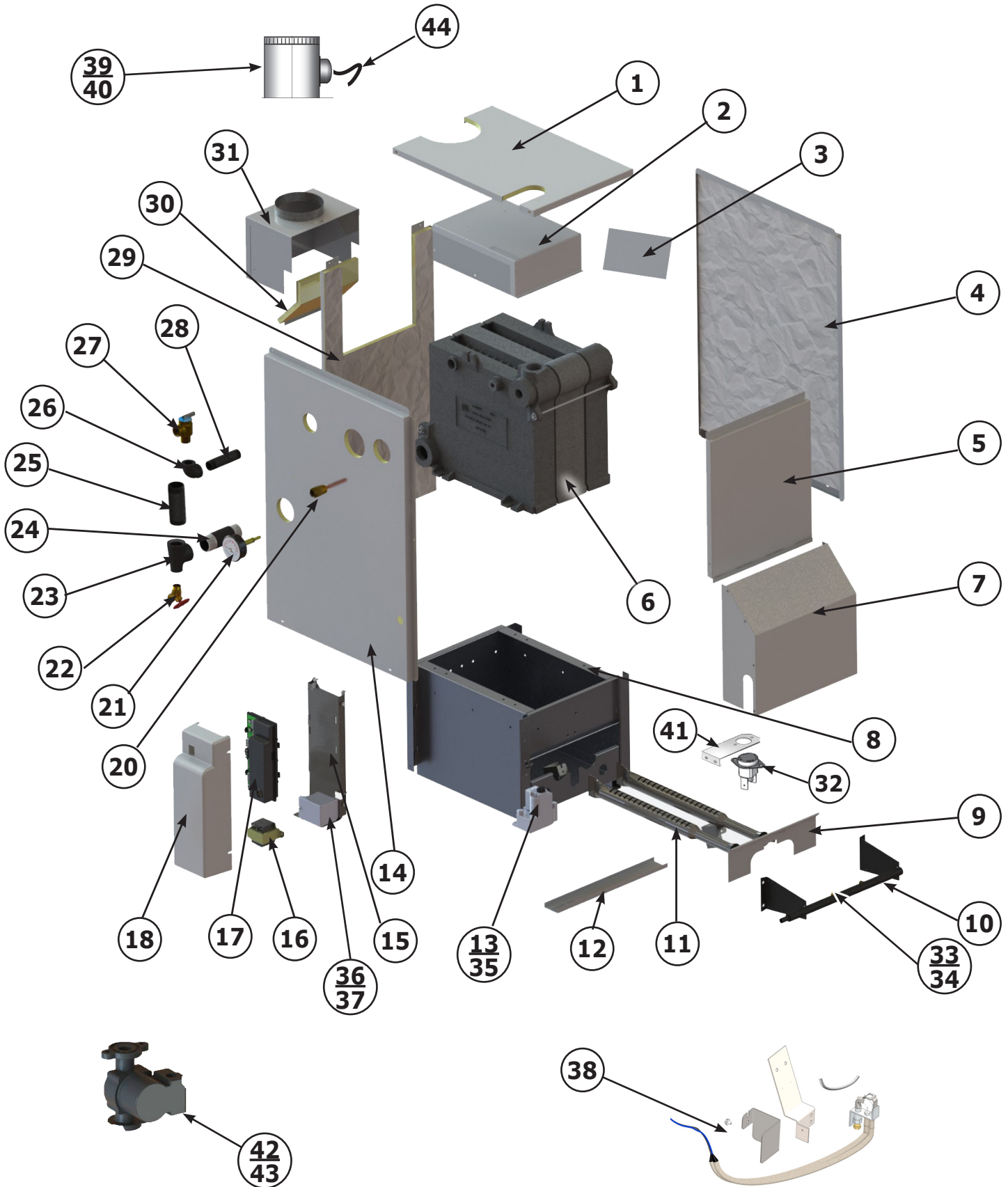
Part Description_____

Boiler Model Number_____

Boiler Serial Number_____

REPLACEMENT PARTS

BOILER EXPLODED VIEW



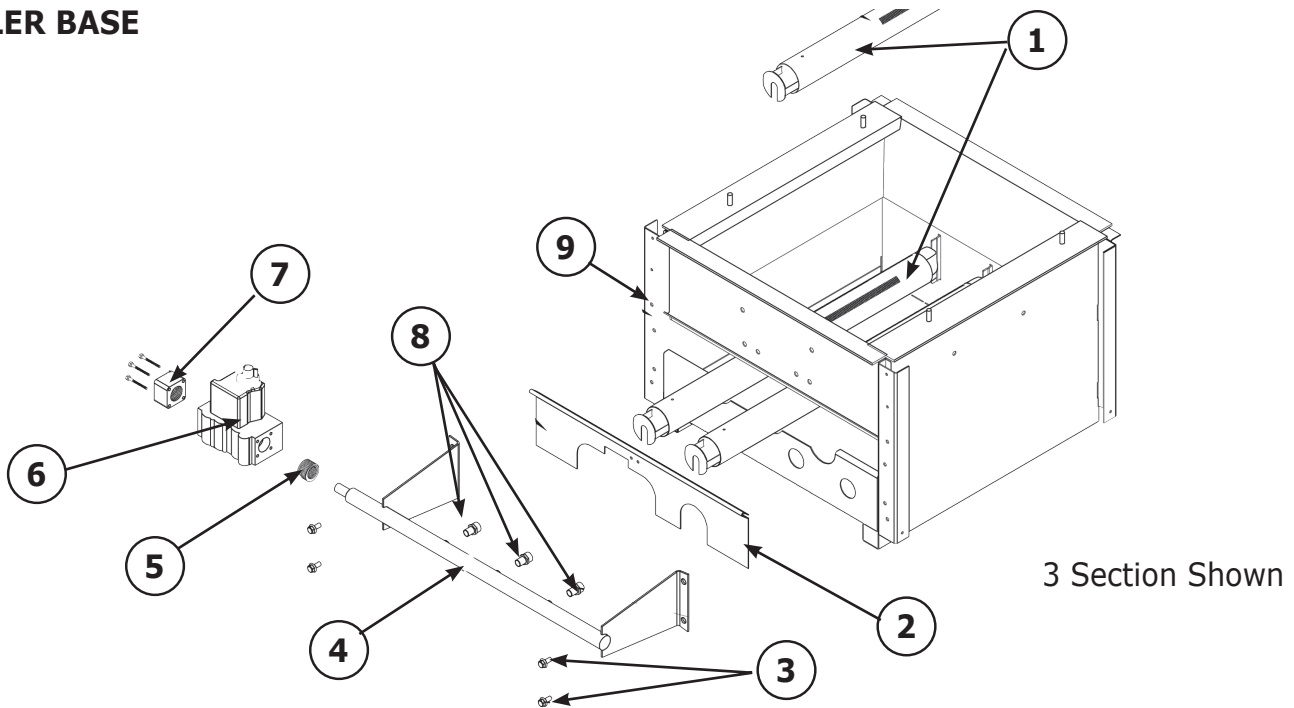
REPLACEMENT PARTS

Item	Description	
1	Jacket Top	
2	Flue Collector	
3	Baffle	
4	Jacket Side Right	
5	Jacket Front Upper	
6	Heat Exchanger	
7	Jacket Front Lower	
8	Base	
9	Burner Door	
10	Manifold	
11	Burner Tube	
12	Tray	
13	Gas Valve	
14	Jacket Side Left	
15	Control Panel	
16	Transformer	
17	Control	
18	Control Cover	
20	Well	
21	Temperature Pressure Gauge	
22	Drain Valve	
23	Pipe Tee	
24	Female Pipe Adapter	
25	Female Pipe Adapter	
26	Pipe Elbow	
27	Safety Relief Valve	
28	Female Pipe Adapter	
29	Jacket Back	
30	Jacket Back to Flue	
31	Draft Hood	
32	Control, Fixed Temp Thermostat	
33	Orifice Natural Gas	
34	Orifice Propane	
35	Straight Flange, 3/4" NPT (170, 195, 245, 295 Propane Only)	
36	J-Box	
37	J-Box Cover	
38	Honeywell Pilot Kit	
39	Damper	4" Damper (045)
		5" Damper (070, 096)
		6" Damper (120, 145)
		7" Damper (170, 195)
		8" Damper (245)
		9" Damper (295)

Item	Description
40	Vent Damper Controller
41	Temperature Sensor Bracket
42	Circulator Pump
43	Circulator Gasket
44	Damper Harness
*	60" Circulator Harness
*	Grommet, Split 7/8", #2874
*	Sensor, 24"
*	Sensor Clip
*	Low Volt Harness
*	Line Volt Harness
* Not Shown	

REPLACEMENT PARTS

BOILER BASE

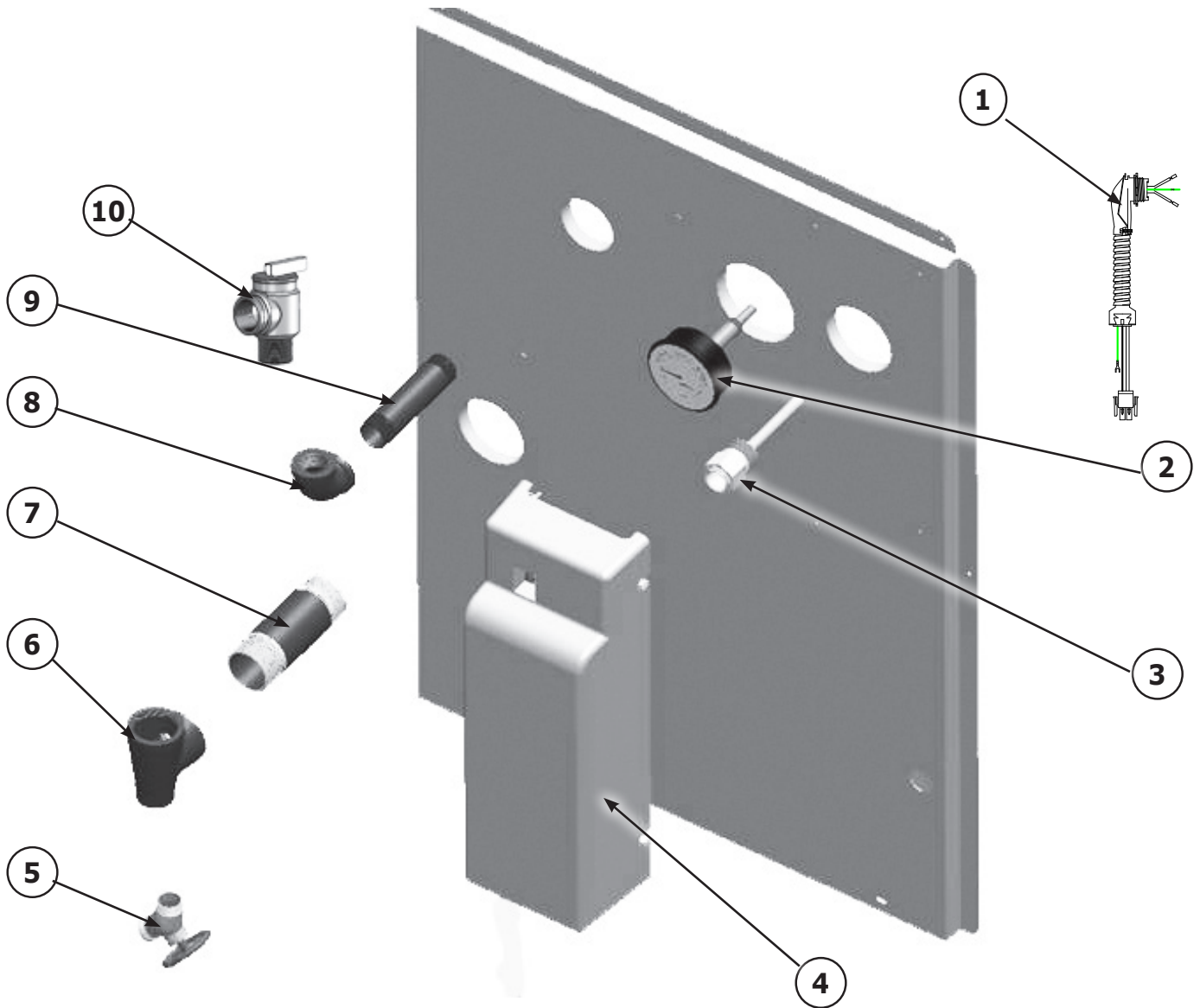


Item	Part No.	Description	QTY.
1	240005543	Burner Tube 1½" (045)	1
		Burner Tube 1½" (070, 096)	2
		Burner Tube 1½" (120, 145)	3
		Burner Tube 1½" (170, 195)	4
		Burner Tube 1½" (245)	5
		Burner Tube 1½" (295)	6
2	109009071	Burner Door (045)	1
	109009072	Burner Door (070, 096)	
	109009075	Burner Door (120, 145)	
	109009076	Burner Door (170, 195)	
	109009077	Burner Door (245)	
	109009078	Burner Door (295)	
3	HW-005.01	Screw ¼ - 20 x ½ Self Tap	4
4	356-2-1.01	Manifold (045)	1
	356-2-1.02	Manifold (070,096)	
	356-2-1.03	Manifold (120, 145)	
	356-2-1.04	Manifold (170, 195)	
	356-2-1.05	Manifold (245)	
	356-2-1.06	Manifold (295)	
5	VG-006.00	Internal Bushing ¾ x ½ (All Propane)	1
6	VG01101	Gas Valve, Spark Nat (045-145)	
	VG01102	Gas Valve, Spark Nat (170-195)	
	VG01103	Gas Valve, Spark Nat (245-295)	
	VG01104	Gas Valve, Spark Propane (045-295)	
7	VG01601	Straight Flange - ¾" NPT (170, 195, 245, 295 - Propane ONLY)	1

Item	Part No.	Description	QTY.
	240007406	Orifice 3.2mm, Nat. (096)	2
		Orifice 3.2mm, Nat. (145)	3
		Orifice 3.2mm Nat. (195)	4
		Orifice 3.2mm, Nat. (245)	5
		Orifice 3.2mm, Nat. (295)	6
		240007405	Orifice 3.1mm, Nat (045)
8	240007403	Orifice 2.9mm, Nat (120)	3
	240007403	Orifice 2.9mm, Nat (170)	4
	240007402	Orifice 2.8mm, Nat (070)	2
	355-1-5.04	Orifice #47, Propane (045)	1
		Orifice #47, Propane (096)	2
		Orifice #47, Propane (145)	3
		Orifice #47, Propane (195)	4
Orifice #47, Propane (245)		5	
Orifice #47, Propane (295)		6	
355-1-5.06	Orifice #49, Propane (120)	3	
	Orifice #49, Propane (170)	4	
355-1-5.07	Orifice #50, Propane (070)	2	
9	5611601	Base w/Insul (045)	1
	5611602	Base w/Insul (070, 096)	
	5611603	Base w/Insul (120, 145)	
	5611604	Base w/Insul (170, 195)	
	5611605	Base w/Insul (245)	
	5611606	Base w/Insul (295)	

REPLACEMENT PARTS

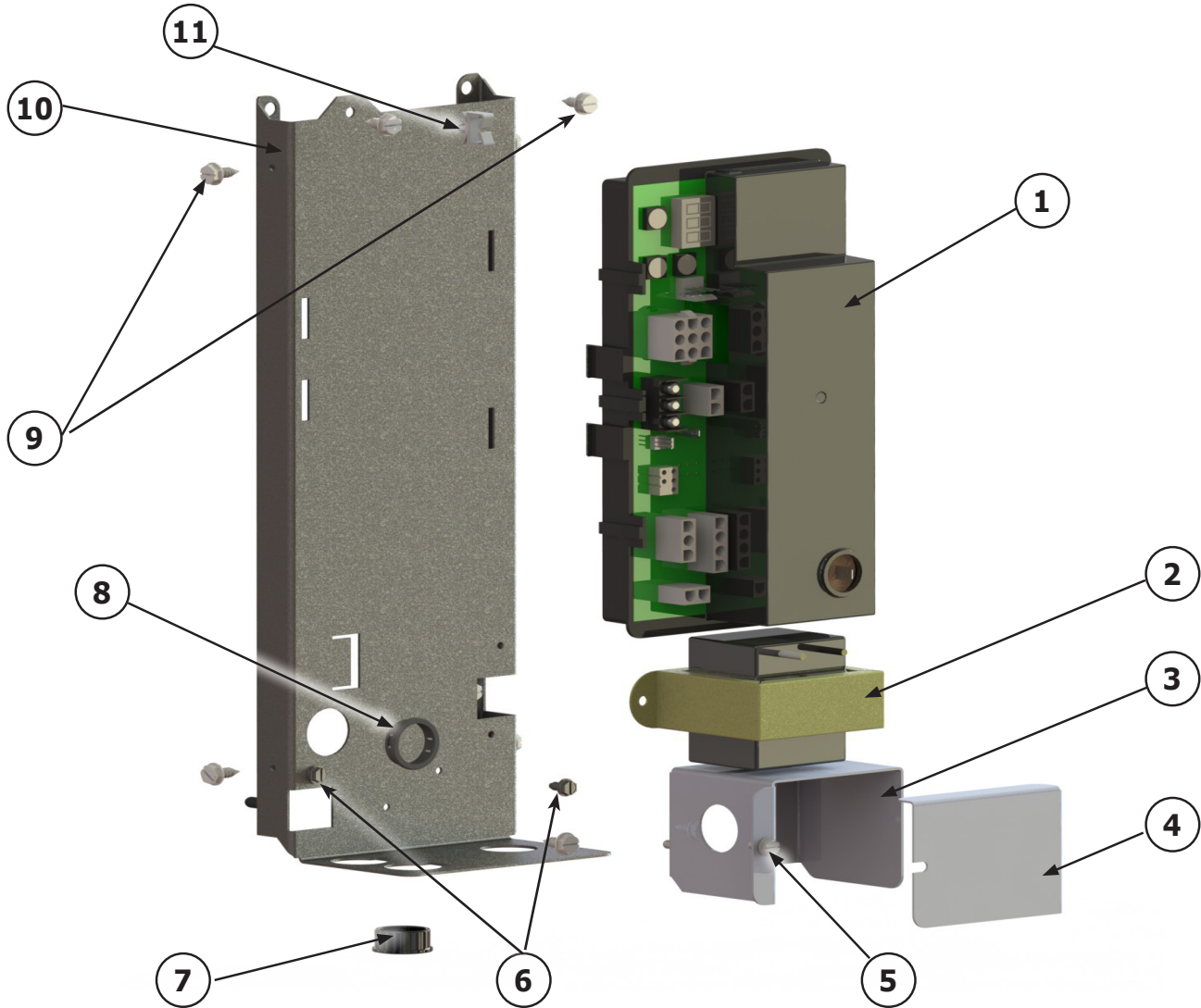
PIPING & CONTROLS



Item	Part No.	Description	Qty.
1	240008767	60" Circulator Harness	1
2	1260006	Gauge - Temperature Pressure	1
3	1635001	Well 3/4 x 1 1/2"	1
4	108000193AD	Control Cover	1
5	240009323	Drain Valve	1
6	1510001	Pipe - Tee 1-1/4 x 3/4 x 1-1/4	1
7	1310002	Pipe- NPL 1-1/4 x 4-1/2 NPT	1
8	1190001	Pipe Elbow 3/4" 90°	1
9	1310001	Female Pipe - Adapter 3/4" x 4"	1
10	VR-001.01	Relief Valve 30#	1
Not Shown	CI-001.03	Circulator	1

REPLACEMENT PARTS

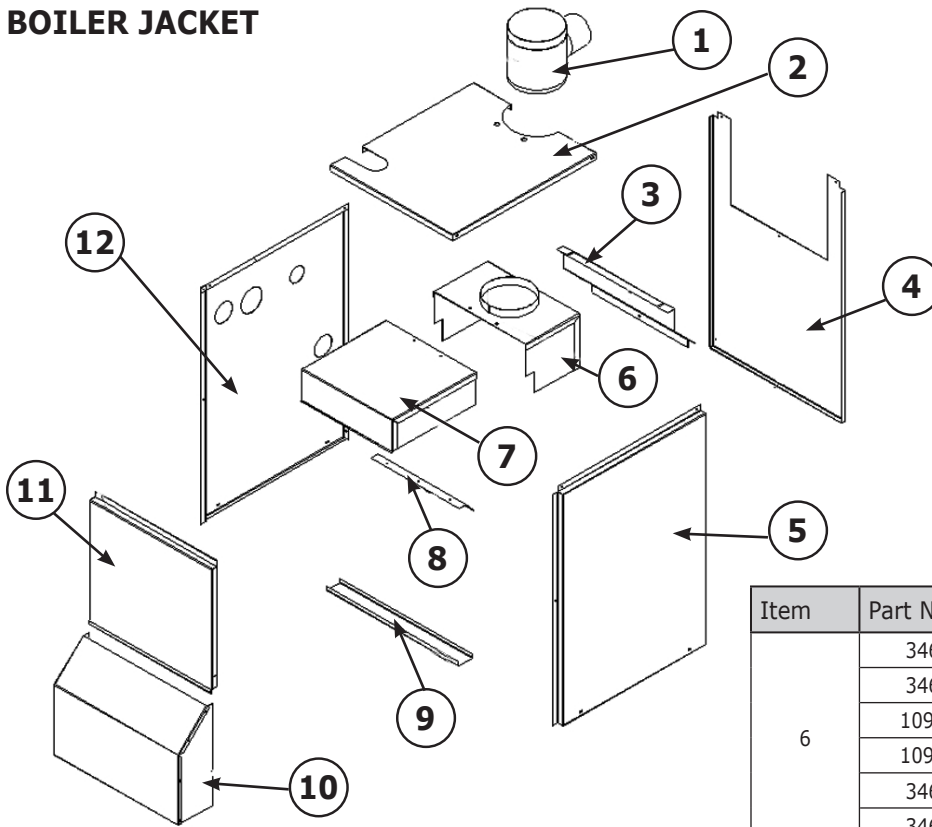
CONTROL MODULE



ITEM	P/N	DESCRIPTION	QTY.
1	240008781	Limit/Ignition Control Module	1
2	240008782	50 VA Transformer	1
3	109008634	J-Box	1
4	109008635	J-Box Cover	1
5	201000021	Screw# 8 X 1/2 " B Point	8
6	HW07701	Ground Screw # 8	2
7	14693011	Grommet, Plastic 7/8"	1
8	206000023	Grommet, Plastic 7/8"	1
9	14695074	Screw #10 X 1/2" , A Point	4
10	109008507	Control Panel	1
11	EF03601	Cable Keeper	1
*	240009339	Sensor, 24"	1
*	240008013	Sensor Clip	1
*	240006309	Damper Harness	1
*	240009195	Low Volt Harness	1
*	240009194	Line Volt Harness	1
* Not Shown			

REPLACEMENT PARTS

BOILER JACKET

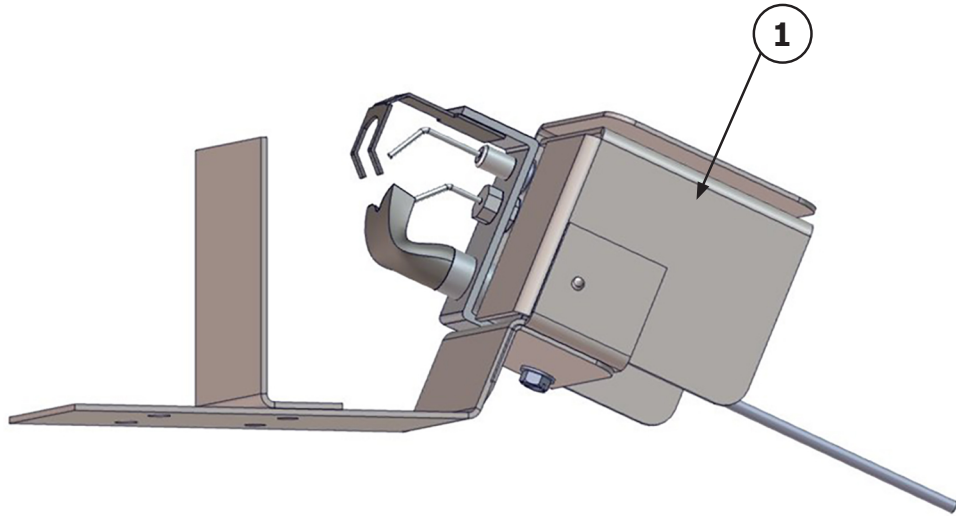


Item	Part No.	Description	Qty.
1	240006936	4" Damper (045)	1
	240006937	5" Damper (070, 096)	
	240006938	6" Damper (120, 145)	
	240006939	7" Damper (170, 195)	
	240006940	8" Damper (245)	
	240006941	9" Damper (295)	
2	109008692AB	Jkt Top Panel (045)	1
	109008693AB	Jkt Top Panel (070, 096)	
	109008694AB	Jkt Top Panel (120, 145)	
	109008695AB	Jkt Top Panel (170, 195)	
	109008741AB	Jkt Top Panel (245)	
	109008742AB	Jkt Top Panel (295)	
3	109008705AB	Jkt Back to Flue (045)	1
	109008706AB	Jkt Back to Flue (070, 096)	
	109008707AB	Jkt Back to Flue (120, 145)	
	109008708AB	Jkt Back to Flue (170, 195)	
	109008747AB	Jkt Back to Flue (245)	
	109008748AB	Jkt Back to Flue (295)	
4	109008701AB	Jkt Back Panel (045)	1
	109008702AB	Jkt Back Panel (070, 096)	
	109008703AB	Jkt Back Panel (120, 145)	
	109008704AB	Jkt Back Panel (170, 195)	
	109008745AB	Jkt Back Panel(245)	
	109008746AB	Jkt Back Panel (295)	
5	109008700AB	Jkt Side Right Panel (046-295)	1

Item	Part No.	Description	Qty.
6	34620601	Draft Hood (045)	1
	34620602	Draft Hood (070, 096)	
	109008554	Draft Hood (120, 145)	
	109008556	Draft Hood (170, 195)	
	34620605	Draft Hood (245)	
	34620606	Draft Hood (295)	
7	34620501	Flue Collector (045)	1
	34620502	Flue Collector (070)	
	109008571	Flue Collector (096)	
	34620503	Flue Collector (120, 145)	
	34620504	Flue Collector (170, 195)	
	34620505	Flue Collector (245)	
8	109008573	Flue Collector (295)	1
	3461502	Flue Collector Restrictor (045)	
	3461702	Flue Collector Restrictor (070)	
9	109008709AB	Tray (045)	1
	109008710AB	Tray (070, 096)	
	109008711AB	Tray (120, 145)	
	109008712AB	Tray (170, 195)	
	109008749AB	Tray (245)	
	109008750AB	Tray (295)	
10	550003059	Jkt Front Lower (045)	1
	550003060	Jkt Front Lower (070, 096)	
	550003061	Jkt Front Lower (120, 145)	
	550003062	Jkt Front Lower (170, 195)	
	550003063	Jkt Front Lower (245)	
	550003064	Jkt Front Lower (295)	
11	109008696AB	Jkt Front Upper (045)	1
	109008697AB	Jkt Front Upper (070, 096)	
	109008698AB	Jkt Front Upper (120, 145)	
	109008699AB	Jkt Front Upper (170, 195)	
	109008743AB	Jkt Front Upper (245)	
	109008744AB	Jkt Front Upper (295)	
12	109008509AB	Jkt Side Left Panel (046-295)	1
Not Shown	240006309	Damper Harness	1

REPLACEMENT PARTS

SPARK PILOT



Spark Pilot Kit - Natural Gas & LP/Propane 550003057

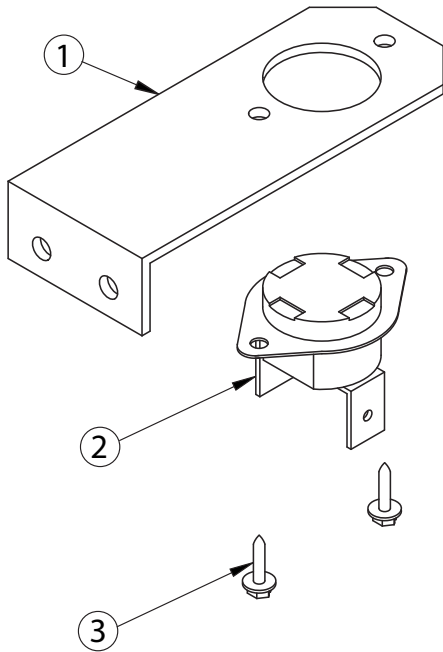
Item	Description	Qty.
1	PILOT AND BRACKET ASSEMBLY	1
*	BRACKET SCREW	2
*	LP ORIFICE - BBR 11	1
*	COMPRESSION FITTING	1

* Not Shown

REPLACEMENT PARTS

ROLLOUT/BLOCKED VENT SAFETY SWITCHES

3 Section Rollout Switch Bracket



Temperature Sensor Bracket			
ITEM	PART NO.	DESCRIPTION	QTY.*
1	32611001	2,3 Section Temp. Sensor Bracket	1
	109008517	4 Section Temp. Sensor Bracket	1
	109008518	5-7 Section Temp. Sensor Bracket	1
2	AQ02101	Temperature Switch (Blocked Vent/Rollout Switch)	1
3	HW06501	Screw - #6 x 1/4" Hex HD	2
n/a	240010064	Harness, Rollout/spill Switch, 48"	1

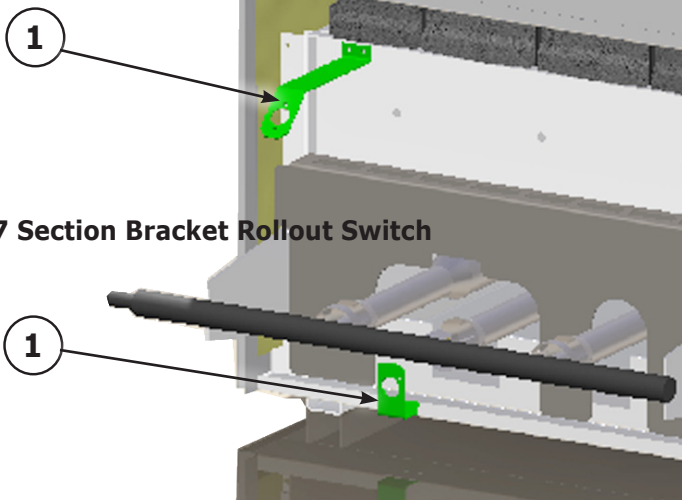
*Rollout switch is located on base; blocked vent on flue collector.
NOTE: Quantities are for each switch.

HEAT EXCHANGERS

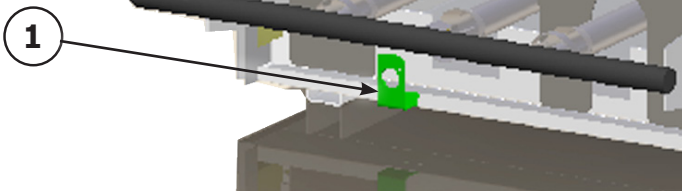
FULLY ASSEMBLED HEAT EXCHANGERS

912000001	Heat Exchanger (2 Section)
912000002	Heat Exchanger (3 Section)
912000003	Heat Exchanger (4 Section)
912000004	Heat Exchanger (5 Section)
912000005	Heat Exchanger (6 Section)
912000006	Heat Exchanger (7 Section)

4 Section Rollout Switch Bracket



5-7 Section Bracket Rollout Switch



OPTIONAL ACCESSORIES

CONVERSION KITS

NATURAL GAS TO PROPANE		
Model	Part No.	Description
045	KBANP3101DNK	Kit, Conversion, Natural to Propane
070	KBANP3201DNK	Kit, Conversion, Natural to Propane
096	KBANP3301DNK	Kit, Conversion, Natural to Propane
120	KBANP3401DNK	Kit, Conversion, Natural to Propane
145	KBANP3501DNK	Kit, Conversion, Natural to Propane
170	KBANP3601DNK	Kit, Conversion, Natural to Propane
195	KBANP3701DNK	Kit, Conversion, Natural to Propane
245	KBANP3801DNK	Kit, Conversion, Natural to Propane
295	KBANP3901DNK	Kit, Conversion, Natural to Propane

PROPANE TO NATURAL GAS		
Model	Part No.	Description
045	KBAPN2101DNK	Kit, Conversion, Propane to Natural
070	KBAPN2201DNK	Kit, Conversion, Propane to Natural
096	KBAPN2301DNK	Kit, Conversion, Propane to Natural
120	KBAPN2401DNK	Kit, Conversion, Propane to Natural
145	KBAPN2501DNK	Kit, Conversion, Propane to Natural
170	KBAPN2601DNK	Kit, Conversion, Propane to Natural
195	KBAPN2701DNK	Kit, Conversion, Propane to Natural
245	KBAPN2801DNK	Kit, Conversion, Propane to Natural
295	KBAPN2901DNK	Kit, Conversion, Propane to Natural

COMBUSTIBLE FLOOR BASE

COMBUSTIBLE FLOOR BASE		
Model	Part No.	Description
045	KBASB0501DNK	Combustible Floor Base - 45
070/96	KBASB0601DNK	Combustible Floor Base - 70, 96
120/145	KBASB0701DNK	Combustible Floor Base - 120, 145
170/195	KBASB0801DNK	Combustible Floor Base - 170, 195
245	KBASB0901DNK	Combustible Floor Base - 245
295	KBASB1001DNK	Combustible Floor Base - 295

OPTIONAL ACCESSORIES

Filltrol Package	
DESCRIPTION	PART #
Filltrol Package (Up to 75,000 BTUH)	KBAFP0101DNK
Filltrol Package (Up to 200,000 BTUH)	KBAFP0201DNK
Filltrol Package (Over 150,000 BTUH)	KBAFP0301DNK

Zone Valve	
DESCRIPTION	PART #
Zone Valve 3/4"	KBAZV0101DNK

High Limit Control	
DESCRIPTION	PART #
High Limit Control L6006C1034	KBAHL0101DNK

CAC/BDP

7310 West Morris St.
Indianapolis, IN. 46231