



# S1CV/HV

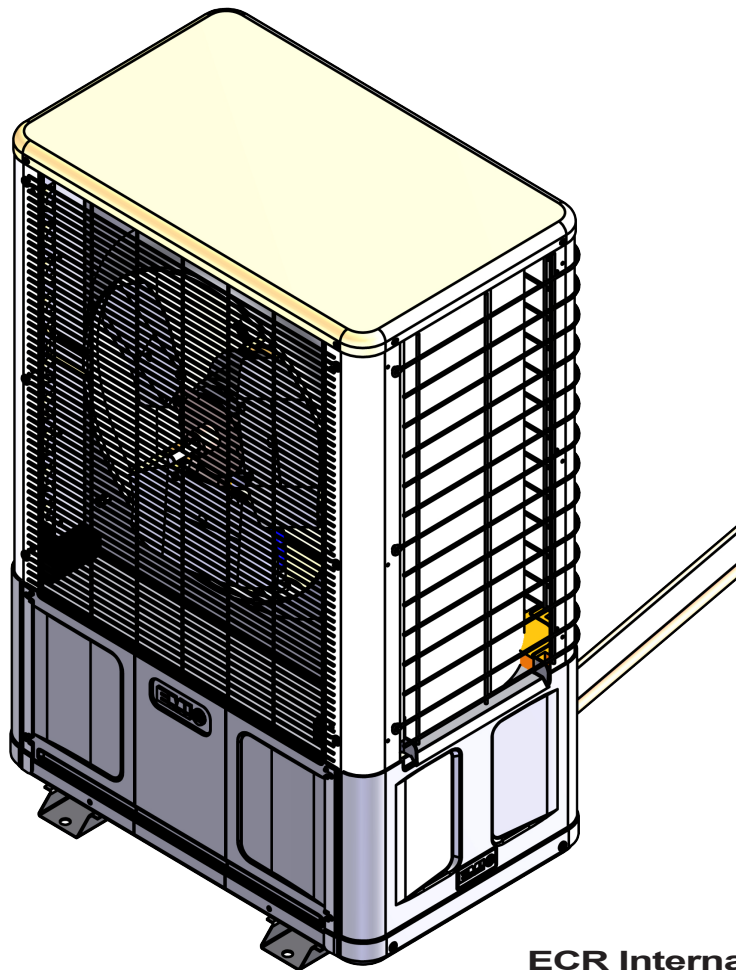
## Variable Speed Condenser

### Parts Manual

#### MODELS:

S1CV9000  
S1CV2000  
S1CV8000  
S1CV4000  
S1CV3000  
S1CV6000

S1HV9000  
S1HV2000  
S1HV8000  
S1HV4000  
S1HV3000  
S1HV6000



**ECR** international  
EST. 1920  
A Family of Heating & Cooling Brands.

**ECR International, Inc.**

2201 Dwyer Avenue,

Utica NY 13501

web site: [www.ecrinternational.com](http://www.ecrinternational.com)

P/N 240009662, Rev B [7/15/2016]



# Table of Contents

## E-verter Variable Speed Condenser

|                                      |   |
|--------------------------------------|---|
| Decoding .....                       | 3 |
| Lower Unit Assembly [9-36].....      | 4 |
| Control Panel Assembly [09-36] ..... | 5 |
| Fan & Shroud Assembly [9-36].....    | 6 |
| Upper Assembly [09-36] .....         | 7 |
| Board Layouts [09-36] .....          | 8 |

Consult manufacture for availability items may be subject to minimum order quantities.

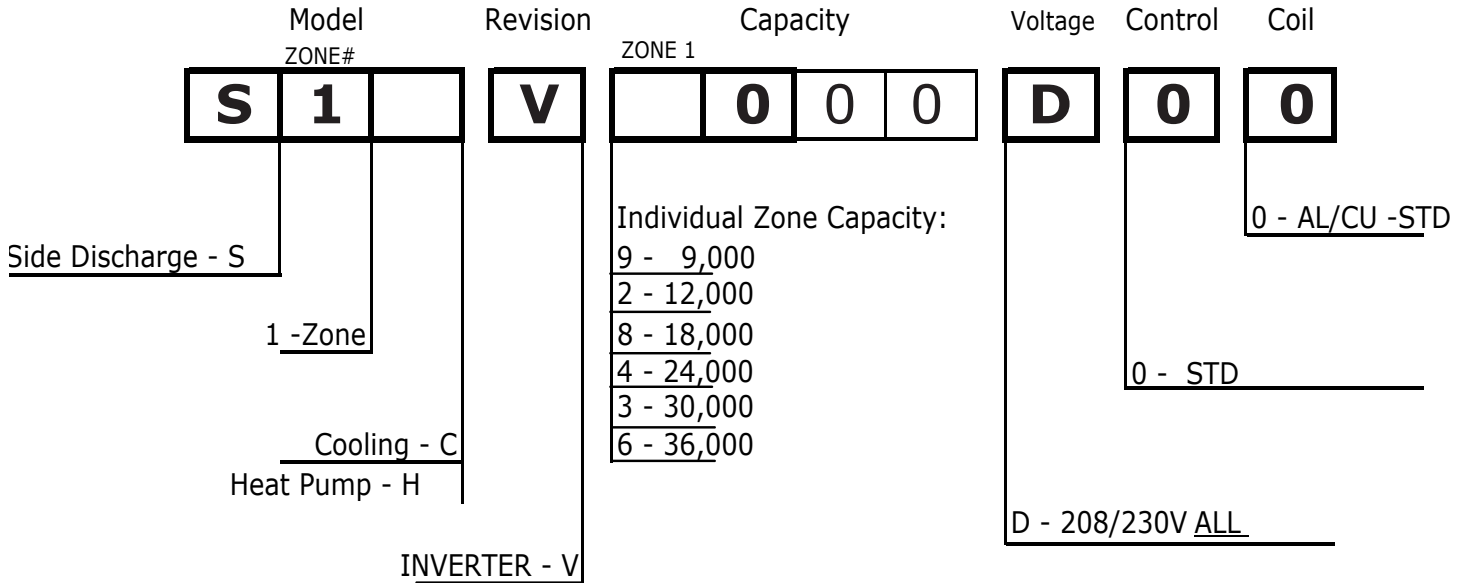
[Limited Warranty](#) applies, 1-year parts and 5-year compressor.

**Information and specifications outlined in this manual in effect at the time of printing of this manual. ECR International reserves the right to discontinue, change specifications or system design at any time without notice and without incurring any obligation, whatsoever.**



# Decoding

## E-verter Variable Speed Condenser



\*See Below for specific offerings.

Single Zones

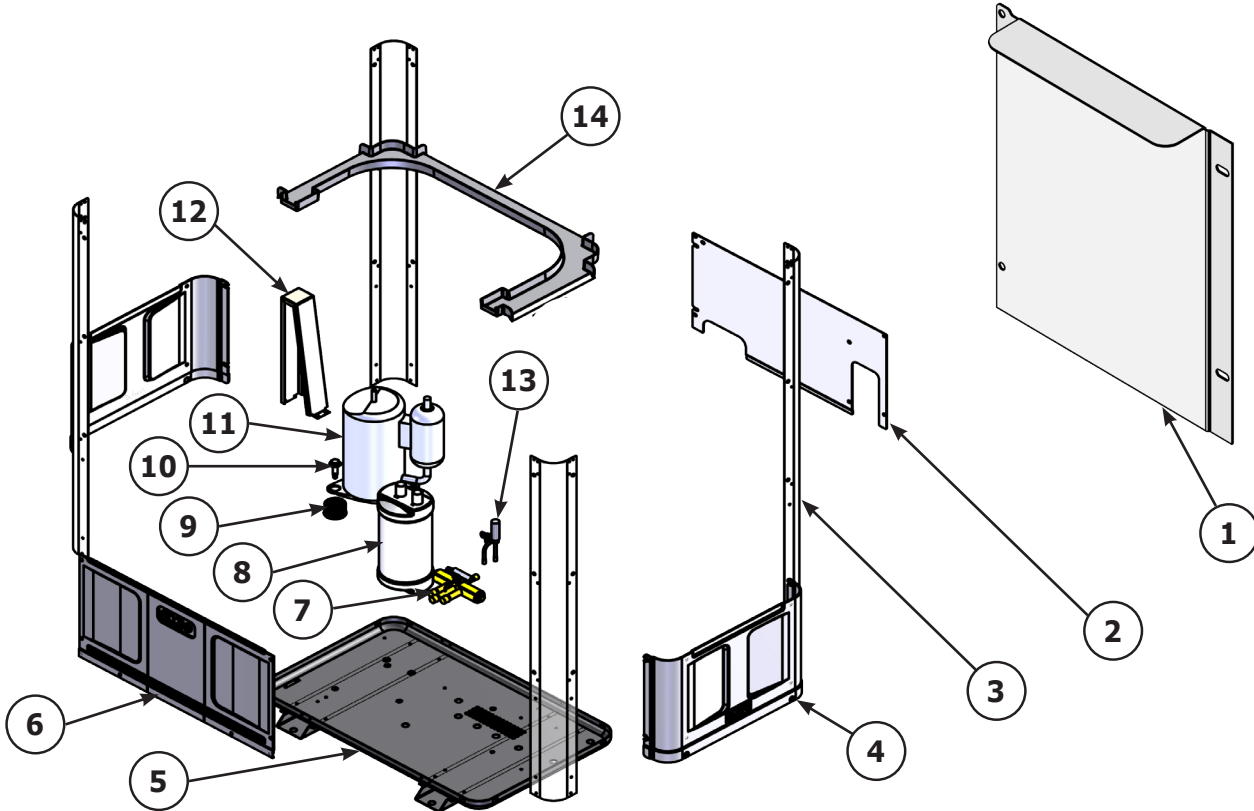
Straight Cool or Heat Pump

- 9000
- 2000
- 8000
- 4000
- 3000
- 6000



# Lower Unit Assembly [9-36]

## E-verter Variable Speed Condenser

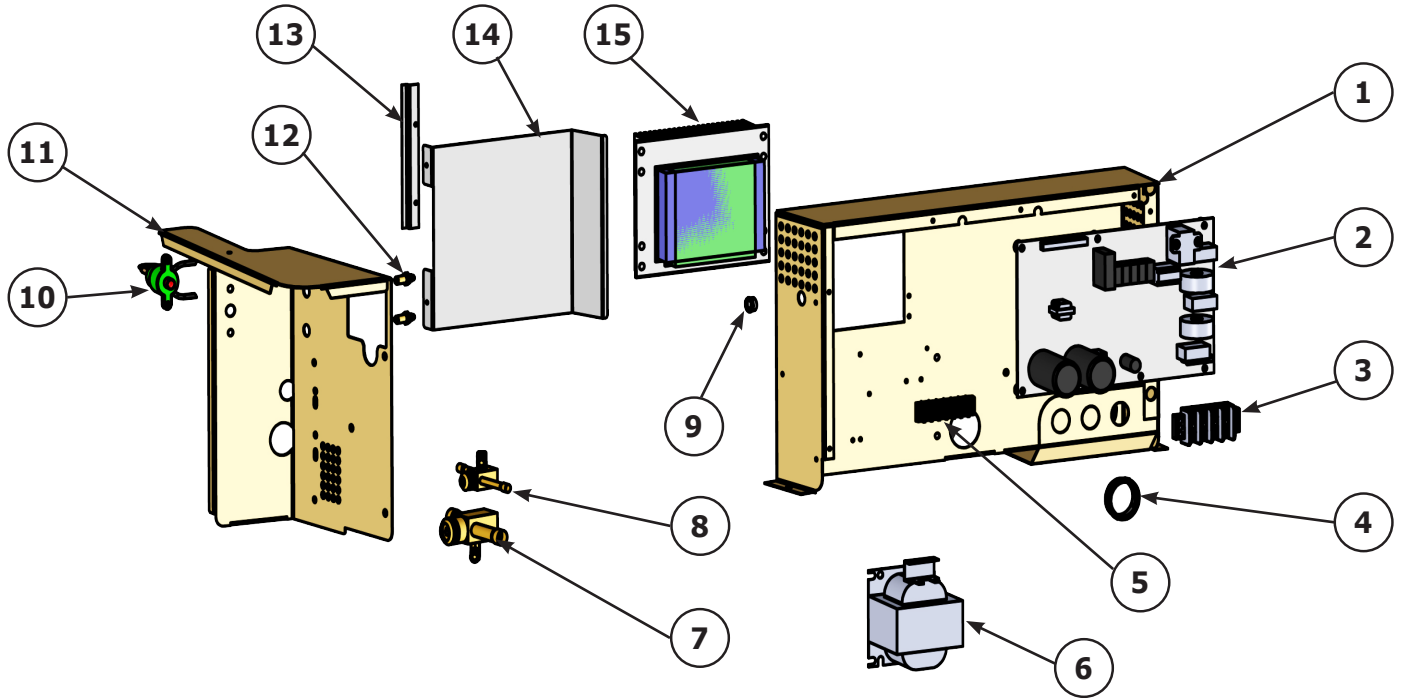


| Ref # | Model | Part Number              | Description                                       |
|-------|-------|--------------------------|---|
| 1     | 18-24 | 109008488AK              | PNL,REAR,RT,S1V 18-30                             |
| 2     | 9-24  | 109008487AK              | PNL,CTRL BOX,CVR,S1V                              |
|       | 30-36 | 109009085AK              | PNL,CTRL BOX,CVR,S1V                              |
| 3     | 9-12  | 109008412AJ              | CPST,S1V 09-12                                    |
|       | 18-24 | 109008462AJ              | CPST,S1V18/24                                     |
|       | 30-36 | 109008468AJ              | CPST,S1V 36-42                                    |
| 4     | -     | 108000185                | PNL,SIDE,L/R,S1V/S2V                              |
| 5     | 9-12  | 109008408AK              | ASSY,WLD,BASE, S1V 09-12                          |
|       | 18-24 | 109008459AK              | ASSY,WLD,BASE,S1V18/30                            |
|       | 30-36 | 109008466AK              | ASSY,WLD,BASE,S1V 36-42                           |
| 6     | -     | 108000186                | PNL,FRT,S1V/S2V                                   |
| 7     | 9-12  | 240004659 &<br>240004640 | VLV,RVSG,9-15 BTU &<br>VLV,RVSG,SOL,24V,LDK,RED + |
|       |       | 240004661 &<br>240004640 | VLV,RVSG,36 BTU &<br>VLV,RVSG,SOL,24V,LDK,RED +   |
| 8     | 9-24  | 136000001                | ACUM,SUCT,5/8",60 OZ,09-18K                       |
|       | 30-36 | 136000003                | ACUM,SUCT,60 OZ.,24-48,3/4"                       |
| 9     | -     | 213000001                | GRMT, COMPRESSOR,<br>ROTARY&RECIP                 |

| Ref #     | Model | Part Number | Description                                |
|-----------|-------|-------------|--|
| 10        | -     | 201000039   | BOLT,5/16-18X1 3/8,HH,USL,SZNS             |
| 11        | 9-12  | 101000397   | COMPR,INVTR,9/12,<br>TOSH,DA89             |
|           | 18-24 | 101000398   | COMPR,INVTR,18/24<br>TOSH,DA150            |
|           | 30    | 101000416   | COMPR,INVTR,30/36,<br>TOSH,DA250           |
|           | 36    | 101000399   | COMPR,INVTR,30/36,<br>PANA,5KD240          |
| 12        | -     | 109008404   | SUPT,COIL,S1V/S2V                          |
| 13        | 9-12  | 240008856   | VLV,EXV,SANHUA,1.65C                       |
|           | 18-24 | 240008857   | VLV,EXV,SANHUA,2.2C                        |
|           | 30-36 | 240008858   | VLV,EXV,SANHUA,2.4C                        |
| 14        | 9-12  | 108000093   | PAN,DRAIN,PLAST,S1H 09-12                  |
|           | 18-24 | 108000094   | PAN,DRAIN,PLAS,S1HG 18-24,S1C/<br>HV 18-24 |
|           | 30-36 | 108000095   | PAN,DRAIN,PLAST,S2H                        |
| Not Shown |       | 240001257   | NUT,RIV,COMPR,5/16-18                      |

# Control Panel Assembly [09-36]

## E-verter Variable Speed Condenser



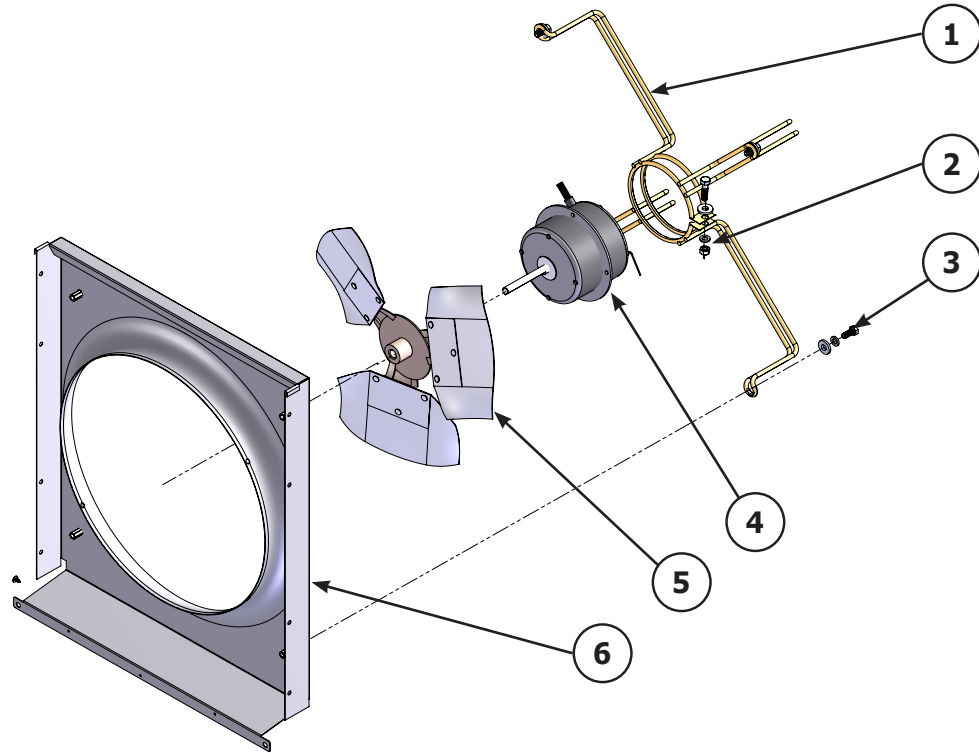
| Ref # | Model | Part Number | Description                              |
|-------|-------|-------------|--|
| 1     | 09-24 | 109008403   | BOX,CTRL,S1V/S2V09-24                    |
|       | 30-36 | 109009081   | BOX,CTRL,S1C/HV30-36                     |
| 2     | 9-12  | 550002607   | KIT,CTRL,OD LOGIC BRD,S1V 09-12          |
|       | 18-24 | 550002610   | KIT,CTRL,OD LOGIC BRD,S1V 18-24          |
|       | 30    | 550002917   | KIT,CTRL,OD,LOGIC BRD,C1201W-V2.1,S1HV30 |
|       | 36    | 550002918   | KIT,CTRL,OD,LOGIC BRD,C1201W-V2.1,S1HV36 |
| 3     | -     | 240009219   | TERM,BLOCK,4 POSITION,600V,30A           |
| 4     | -     | 240000539   | BUSHING,HEYCO,1-1/2 x 1-5/16, SB-1500-21 |
| 5     | -     | 240002095   | TERM,BLOCK,6 POSITION                    |
| 6     | 09-12 | 550002609   | KIT,REAC/CHOKE COIL,S1V 09-12            |
|       | 18-24 | 550002612   | KIT,REAC/CHOKE COIL,S1V 18-24            |
|       | 30-36 | 550002916   | KIT,REAC,CHOKE COIL,R3005,S1V30/36       |
| 7     | 9-12  | 240004461   | VLV,SERVICE,1/2"SWT X 1/2"SWT,90,SIDE+   |
|       | 18-24 | 240004462   | VLV,SERVICE,5/8"SWT X 5/8"SWT,90,SIDE+   |
|       | 30-36 | 240004463   | VLV,SERVICE,3/4"SWT X 3/4"SWT,90,SIDE+   |
| 8     | 9-12  | 240004459   | VLV,SERVICE,1/4"SWT X 1/4"SWT,90, SIDE+  |
|       | 18-36 | 240004430   | VLV,SERVICE,3/8"SWT X 3/8"SWT,90,SIDE+   |
| 9     | -     | 240002631   | BSH,HEYCO,1/2X3/8                        |

| Ref # | Model | Part Number | Description                              |
|-------|-------|-------------|--|
| 10    | -     | 240007109   | SW,HP,M-RESET,700psi,PNL MNT,29PSP002-49 |
| 11    | 09-24 | 109008436   | PNL,VLV,ENC,S1V/S2V                      |
|       | 30-36 | 109009082   | BOX,VLV,S1C/HV30-36                      |
| 12    | -     | 216000001   | FITTING,SHRADER,CORE                     |
| 13    | 9-24  | 109008492   | CATCH, HEAT SINK SHIELD                  |
| 14    | 9-24  | 109008486   | BAFL,AIR,HT SINK,CTRL BOARD,S1V          |
|       | 30-36 | 109009083   | BAFL,AIR,BOX,CTRL,S1C/HV30-36            |
| 15    | 9-12  | 550002608   | KIT,CTRL,OD DRIVE BRD,S1V 09-12          |
|       | 18-24 | 550002611   | KIT,CTRL,OD DRIVE BRD,S1V 18-24          |
|       | 30    | 550002908   | KIT,CTRL,OD,DRIVE BRD,C1201KM-V3.1,S1V30 |
|       | 36    | 550002909   | KIT,CTRL,OD,DRIVE BRD,C1201KM-V3.1,S1V36 |



# Fan & Shroud Assembly [9-36]

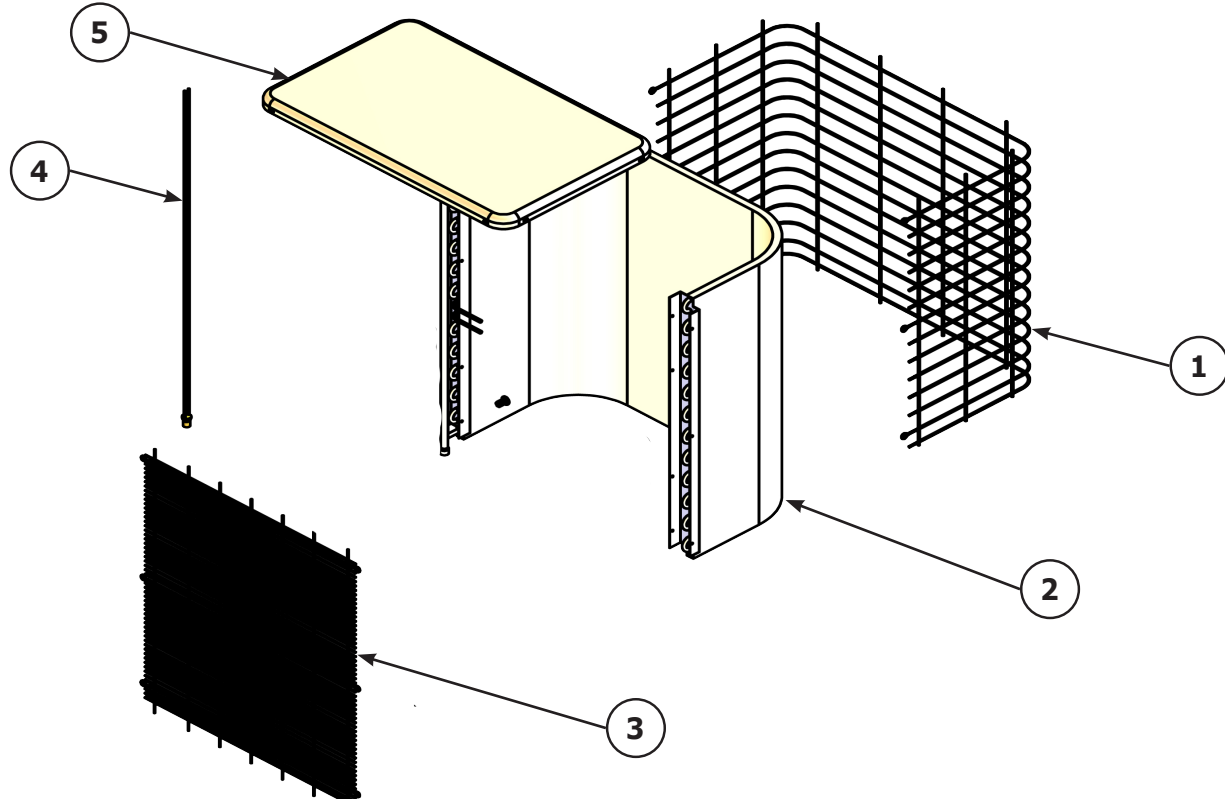
## E-verter Variable Speed Condenser



| Ref# | Model | Part Number | Description                           |
|------|-------|-------------|---------------------------------------|
| 1    | 9-24  | 240004454   | BRKT,MTR,CLAM SHELL                   |
|      | 30-36 | 240004583   | BRKT,MTR,25.500,S1C 30-36,S2H         |
| 2    | -     | 201000038   | BOLT,5/16-18X3/4,HH,SZN,CPS           |
|      |       | 203000001   | WSHR,7/80DX3/8,PLATED                 |
|      |       | 202000009   | NUT,HEX,5/16-18,PLATED                |
| 3    | -     | 203000007   | LOCKWASHER,5/16,SPLIT RING            |
|      |       | 240001257   | NUT,RIV,COMPR,5/16-18                 |
|      |       | 203000001   | WSHR,7/80DX3/8,PLATED                 |
| 4    | 09-24 | 102000183   | MTR,COND,208/230V,18/24/30,Y6S620C039 |
|      | 30-36 | 102000176   | MTR,COND,208/230V,36/42,Y7S622D043    |
| 5    | 9-12  | 240004481   | BLADE,FAN,16",S1C 09-12,C2C/H 9-15    |
|      | 18-24 | 240004482   | BLADE,FAN,18",S1C/H 18/24             |
|      | 30-36 | 240008445   | BLADE,FAN,4P20SCW28                   |
| 6    | 9-12  | 109008409AK | PNL,SHROUD,MTR,MTG,S1V 09-12          |
|      | 18-24 | 109008460AK | PNL,SHRD,MTR,MTG,S1V 18-24            |
|      | 30-36 | 109008467AK | PNL,SHRD,MTR,MTG,S1V 36-36            |

# Upper Assembly [09-36]

## E-verter Variable Speed Condenser



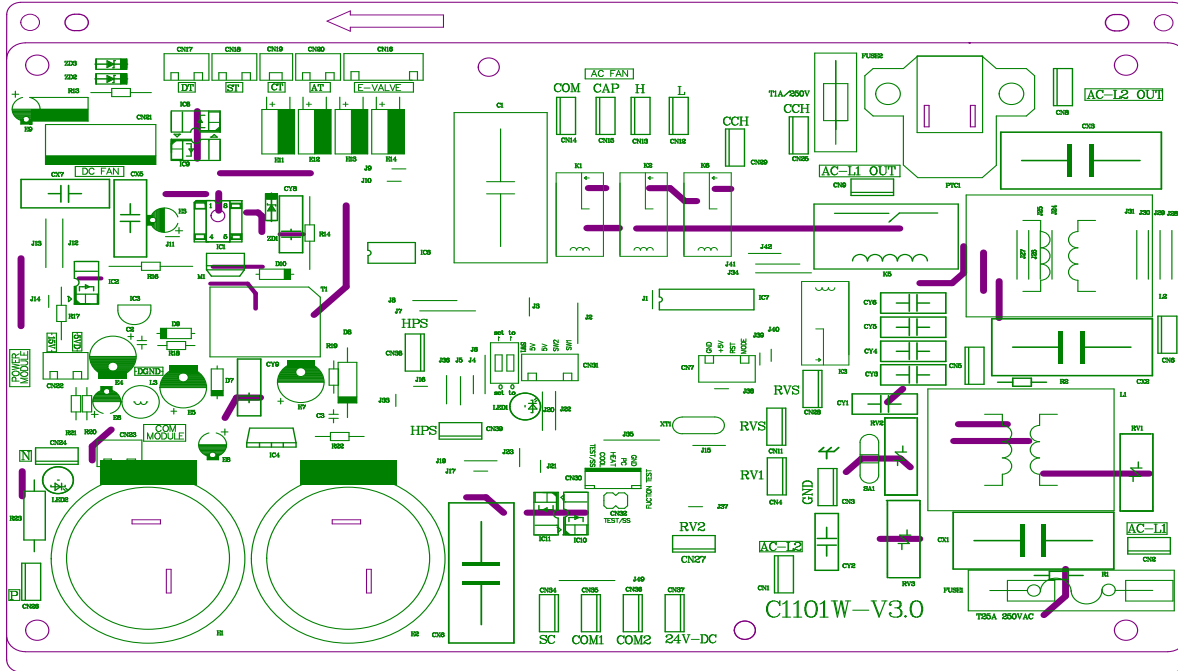
| Ref# | Model       | Part Number | Description                           |
|------|-------------|-------------|---------------------------------------|
| 1    | 09-12       | 240004402   | GUARD,COIL,S1C/H 09-12,C2C/H 09-15    |
|      | 18-24       | 240004403   | GRD,COIL,S1H 24                       |
|      | 30-36       | 240005580   | GRD,COIL,S1C 36,C2C/H36               |
| 2    | 9-12        | 550002644   | KIT,COIL,FRMD,S1C/HV09/12,RAW 104-445 |
|      | 18-24       | 550002645   | KIT,COIL,FRMD,S1C/HV18/24,RAW 104-462 |
|      | 30-36       | 550002787   | KIT,COIL,FRMD,S1C/HV30/36,RAW 104-463 |
| 3    | 9-12        | 240008878   | GRD,FRNT,SIV09/12                     |
|      | 18-24       | 240008876   | GRD,FRNT,SIV18-30                     |
|      | 30-36       | 240008877   | GRD,FRNT,SIV36                        |
| 4    | 9-12 (ONLY) | 240007910   | DISTR,REFG,2FEED,1/8"x30"L            |
| 5    | 9-12        | 109004895AJ | PNL,TOP,S1C/H 09-12,C2C 09-15         |
|      | 18-24       | 109004897AJ | PNL,TOP,S1C/H 18-30                   |
|      | 30-36       | 109004899AJ | PNL,TOP,S1C 36-42,S2H                 |



# BOARD LAYOUTS [09-36]

## E-verter Variable Speed Universal Air Handler

### OD LOGIC BOARD (ALL)



### OD DRIVE BOARD (9/12)

