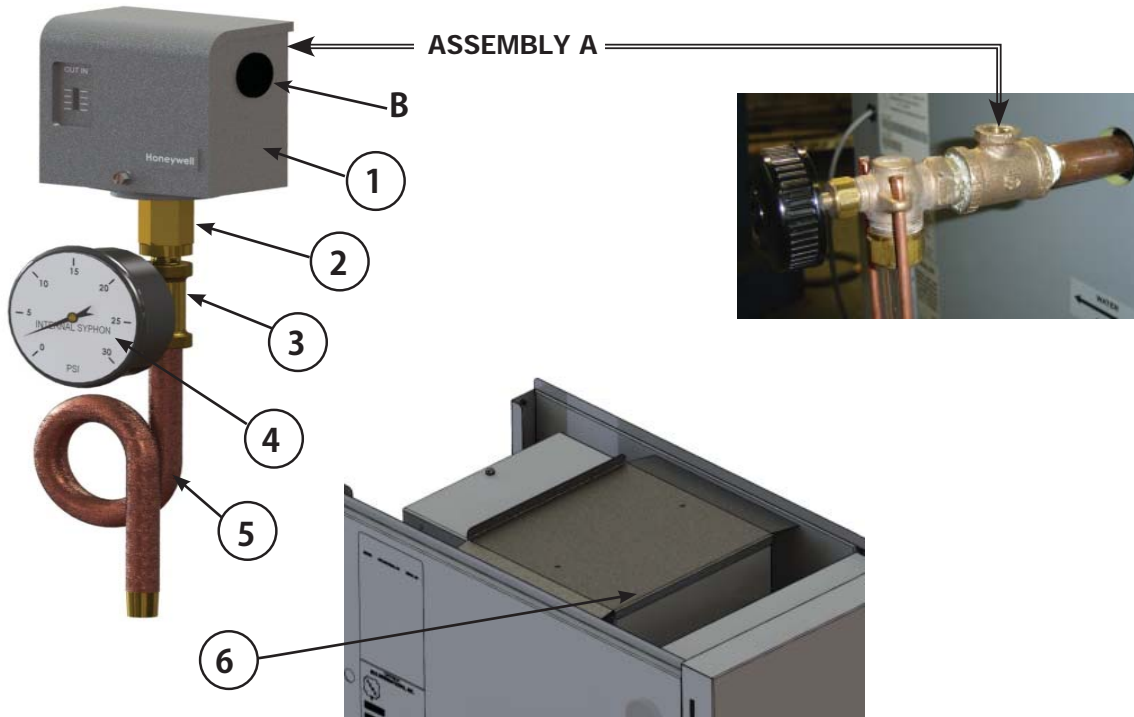


# ADDENDUM

## AFFECTS MODELS : PEGDID AND CEGDID

**⚠ DANGER**

Burn, scald hazard. Pressuretrol must be installed by a qualified service agency in accordance with manufacturer's instructions, all applicable codes and requirements of authority having jurisdiction. Failure to follow the information in these instructions exactly will result in death or serious injury. Qualified service agency is responsible for proper installation.



### Installation Instructions:

1. Attach pressuretrol assembly (A) to site glass assembly, using proper pipe sealant.
2. Remove pressuretrol cover.
3. Route wire harness through black plastic bushing (B).
4. Attach two wires. Wires are not polarity sensitive, can place on either terminal.
5. Replace pressuretrol cover.

Component Listing - Addendum page 7 of Parts and Optional Accessories Manual			
Item	Description	Part Number	Qty
A	Pressuretrol Assembly, PEG-DID, CEG-DID	3002104	
1	Pressuretrol PA404A1074	14662015	1
2	Nipple, 1/4 NPT x Close Brass	240009692	1
3	Tee Brass 1/4	14693057	1
4	Gauge, 0-30 PSI 3/4", ES	14623006	1
5	Syphon, Brass, Loop, 60036	14643005	1
6	Jacket Brace, 075	109009003	1
	Jacket Brace, 112	109009004	
	Jacket Brace, 150	109009005	
	Jacket Brace, 187	109009006	
	Jacket Brace, 225	109009007	
	Jacket Brace, 262	109009008	
	Jacket Brace, 299	109009009	