

GAS-FIRED, DIRECT VENT,
CONDENSING, HOT WATER BOILER

**PARTS, KITS &
OPTIONAL ACCESSORIES**

Models (Series B)

BW9AAN000125

BW9AAN000150

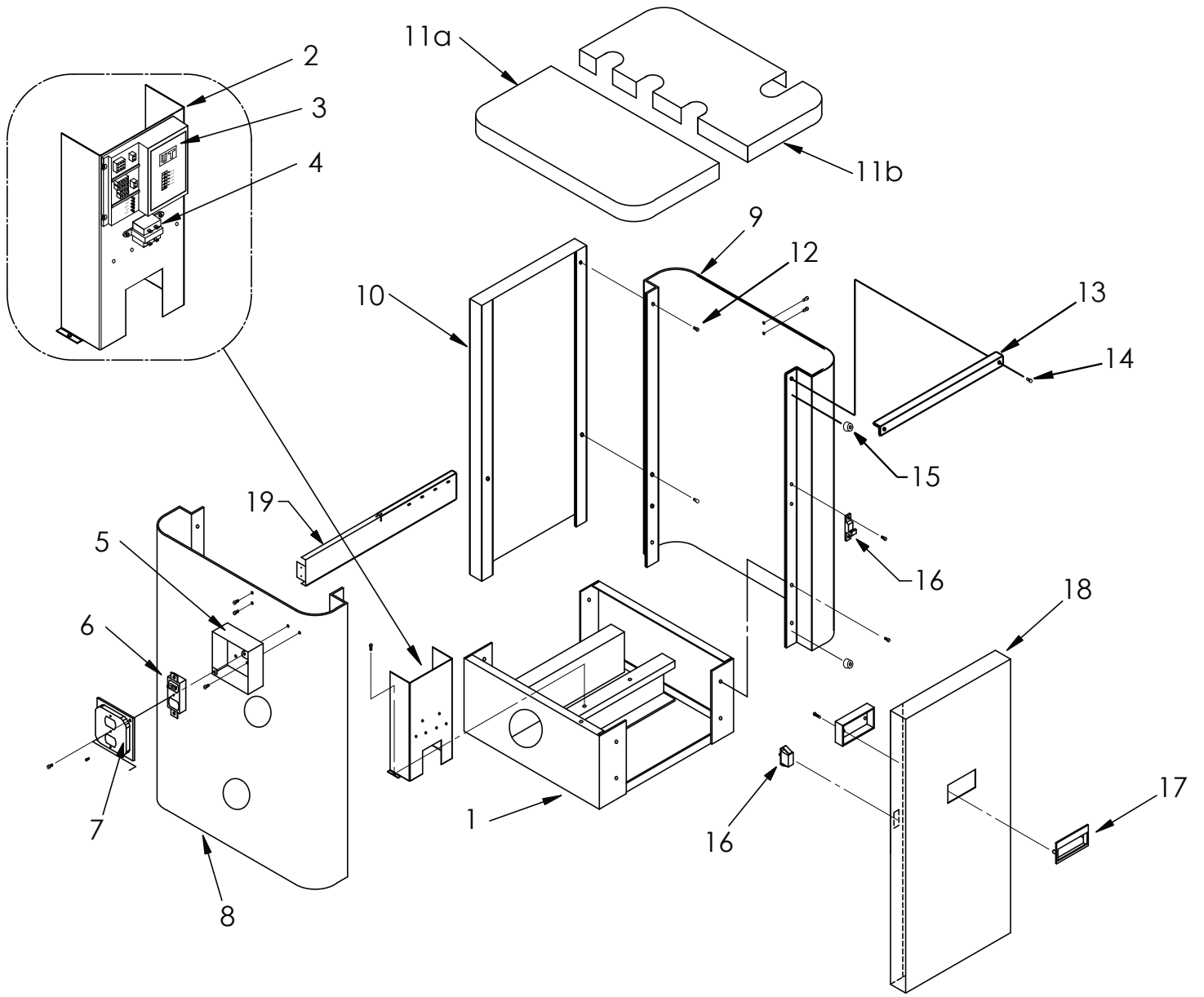
BW9AAN000175

BW9AAN000200



CAC/BDP
7310 West Morris St.
Indianapolis, IN. 46231

JACKET AND BASE ASSEMBLY



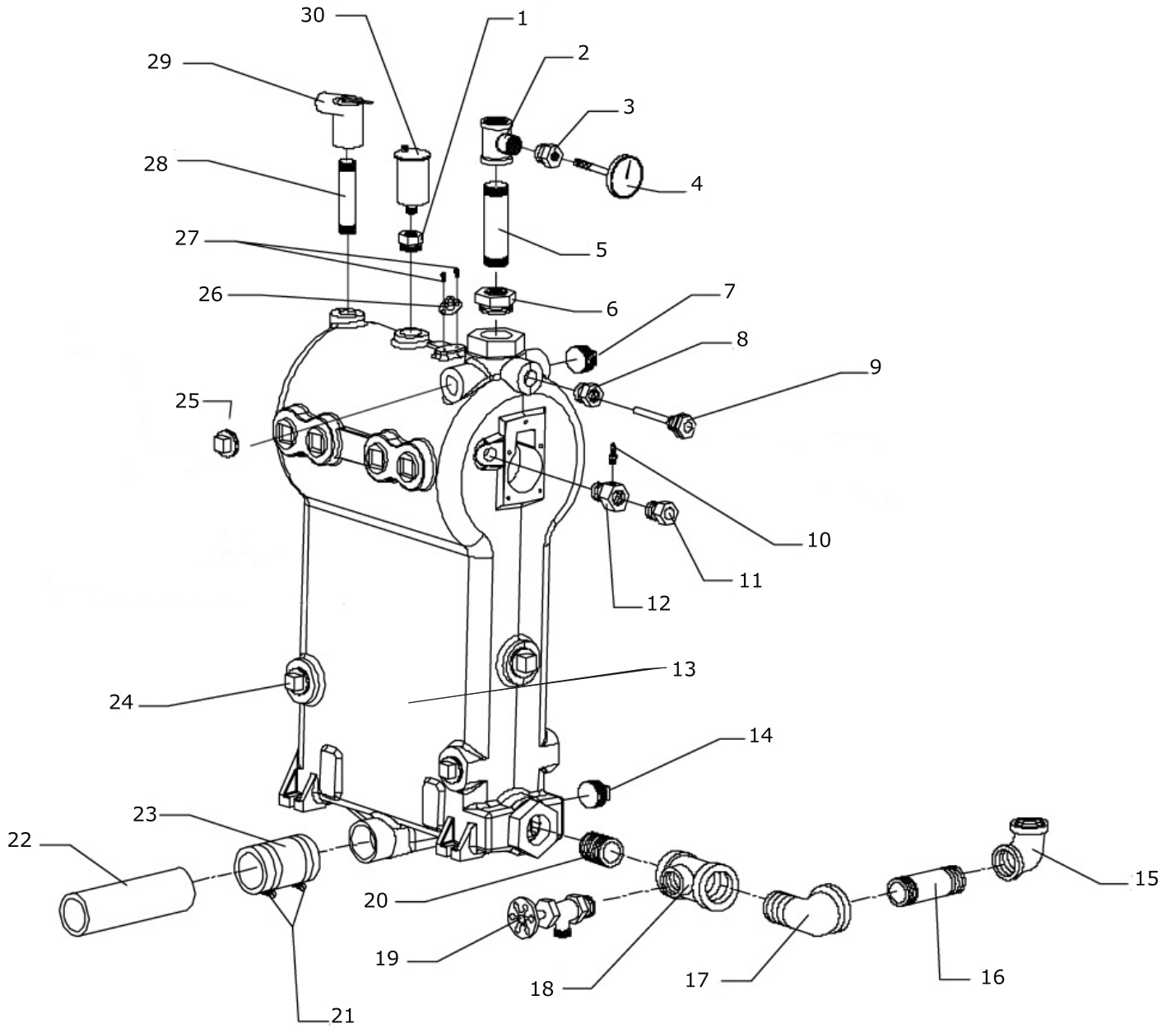
JACKET AND BASE ASSEMBLY

ITEM	PART NO.	DESCRIPTION	QTY.
1	550002742	Base Replacement Kit (125-200)	1
2	650001028	Control Panel	1
3	14662803	Control Integrated	1
4	550001339	40 VA Transformer Replacement Kit	1
5	14631316	4" x 4" x 2 1/8" J-Box	1
6	14631319	Switch, P & S	1
7	14631318	J-Box Plate Cover	1
	2272152AB	Jacket Panel, Left Side Replacement Kit,	1
	2272151AB	Jacket Panel, Right Side Replacement Kit,	1
10	750001031AB	Jacket Panel, Back,	1
11a	2370003AB	Jacket Panel, Top Left,	1
11b	2370004AB	Jacket Panel, Top Right,	1
12	14695074	Screw #10 x 1/2" ZP	14
13	750001034	Jacket Tie Bar	1
14	14695060	Screw #10 x 1/2"	12
15	1225013	Tap Bumper	4
16	1225012	Latch and Clip Kit	1
17	14631095	Door Pull	1
18	2272150	Jacket Service Door Replacement Kit (includes 16 and 17)	1
19	2485001	Pressure Switch Mounting Plate	1
*	240009366	Wire Harness	1
*	14631174	2 1/2" Plug	1
*	750001003AB	Jacket, Complete Replacement Kit,	1

* Not Shown

DESCRIPTION	PART #
Filltrol Package (Up to 150,000 BTUH)	KBAFP0201DNK
Filltrol Package (Up to 300,000 BTUH)	KBAFP0301DNK
* High Limit Control	KBAHL0101DNK
Concentric Vent Kit 3" dia.	KGAVT0801CVT
* Accessory High Limit Control is a strap on aquastat used as an auxiliary limit or reverse acting circulator control	

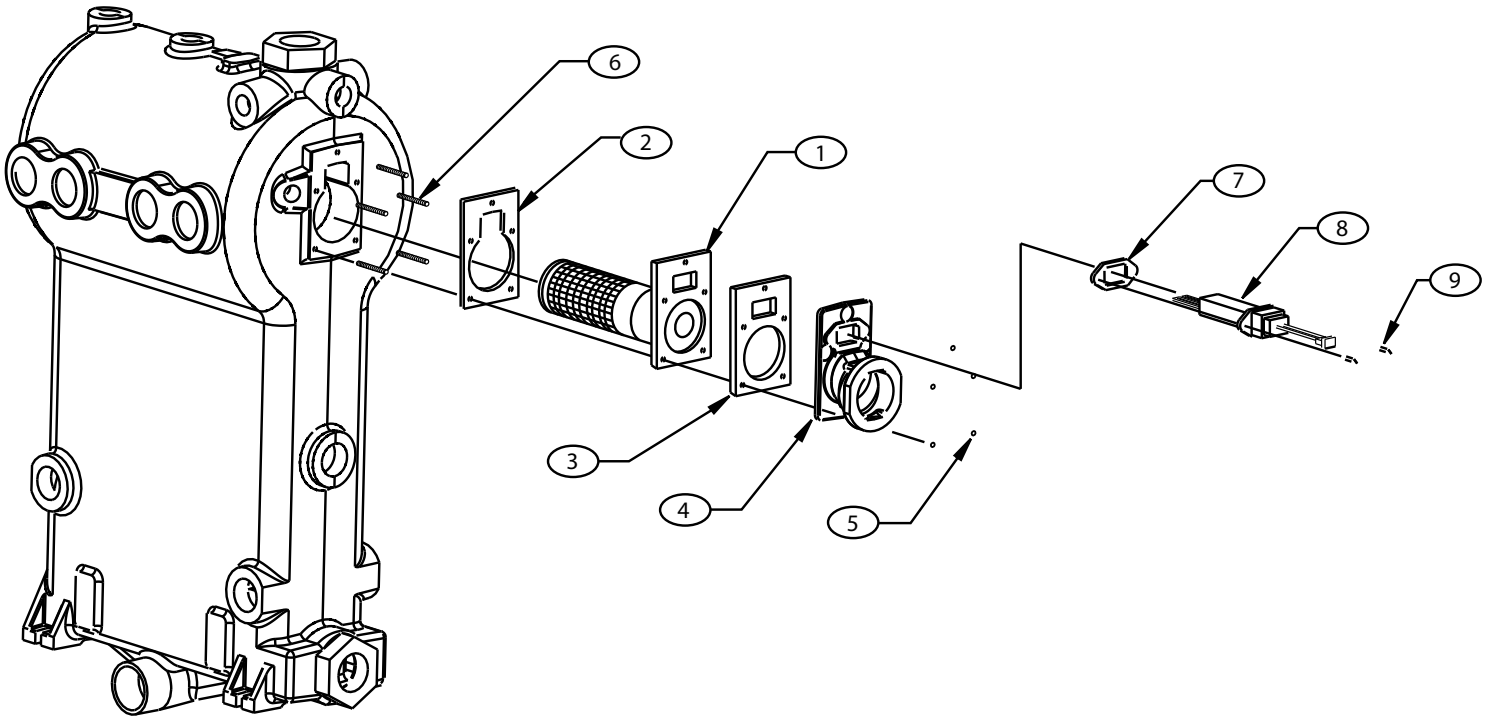
BOILER BLOCK AND PIPING ASSEMBLY



BOILER BLOCK AND PIPING ASSEMBLY

ITEM	PART NO.	DESCRIPTION	QTY.	
	2272160	Block Replacement Kit (Includes the following)	1	
1	240006955	Bushing, 3/4" x 1/8" Forged Steel	1	
6	240006459	Bushing, 1 1/2" x 1/4" 3000# Forged Steel	1	
7	240006957	Plug, 1" Forged Steel	2	
8	240006952	Bushing, 3/4" x 1/2" Forged Steel	1	
9	240009413	Well, Control 1/2" Hydrolevel	1	
10	1230010	Barb fitting, 1/8" x 3/16"	1	
11	14619002	Observation glass 3/4"	1	
12	14631004	Adapter	1	
13	240007283	Aluminum Monoblock Machined	1	
20	240006951	Pipe nipple, 1 1/2" x close Forged Steel	1	
26	1500005	Casting temp safety switch	1	
*	1450011	Threaded Stud 1/4-20 x 1 1/2	5	
*	14695810	Nut, 1/4-20 HWS	5	
*	240006460	Sealant, Anaerobic, 250 ML tube	1	
*	1040004	Bolt, 5/16 x 1 1/2 Carriage	4	
*	1330001	Nut, 5/16-18 Whizlok,	4	
*	14695004	Self Tapping Screw 8-32 x 3/8	2	
The following parts are not included in the block replacement kit				
2	PF05901	1 1/4" x 1 1/4" x 3/4" Std. Black Tee	1	
3	1060002	3/4" x 1/4" Std. Black Iron Bushing	1	
4	1260006SP	Temp/Pressure Gauge, 2" Shank	1	
5	PF06501	1 1/4" x 7" NPT Std. Black Pipe Nipple	1	
14	240006957	Plug, 1" Forged Steel	2	
15	1190002	Elbow 1 1/4" x 90°	1	
16	1310002	Nipple, Std. Blk. 1 1/4" x 4 1/2"	1	
17	1190004	1 1/4" Street Elbow Blk. 90°	1	
18	1510010	Reducing Tee 1 1/2" x 1 1/4" x 3/4"	1	
19	14622000	Valve BLR DR 3/4"	1	
21	14631302	Clamp stainless steel #44	2	
22	240006827	Vent Pipe 2" CPVC SCH-40 x 7" S636	1	
23	14631301	Hose 3" Long x 2 3/8" ID x 2 3/4" OD	1	
24	1395002	1 1/4" Socket Head Plug	16	
27	14695802	Screw Soc HD Cap 8-32 x 3/16"	2	
28	14607002	3/4" x 6 1/2" Std. Black Nipple	1	
29	14622011	3/4" Relief Valve	1	
30	1580006	Air Purge Vent w/Check Valve	1	
*	240009365	High Limit, LWCO Control	1	
	550002586	Kit, replacement LWCO /High Limit Control	1	
*	550002586 LWCO Replacement Kit	240009365	LWCO, High Limit	1
		240009413	Well, High Limit	1
* Not Shown				

BURNER ASSEMBLY



ITEM	PART NO.	DESCRIPTION	QTY.
1	2272149	Burner Replacement Kit (includes 2 & 3)	1
2	1250009	Burner/Casting Gasket	1
3	1250008	Burner/Flue Adapter Gasket	1
4	12101022	Flue Adapter	1
5	14695810	Hex Nut w/Serrated Washer ¼"-20	5
6	1450011	Threaded Stud ¼"-20 x 1½"	5

Hot Surface Igniter Replacement Kit (P/N#550002068)

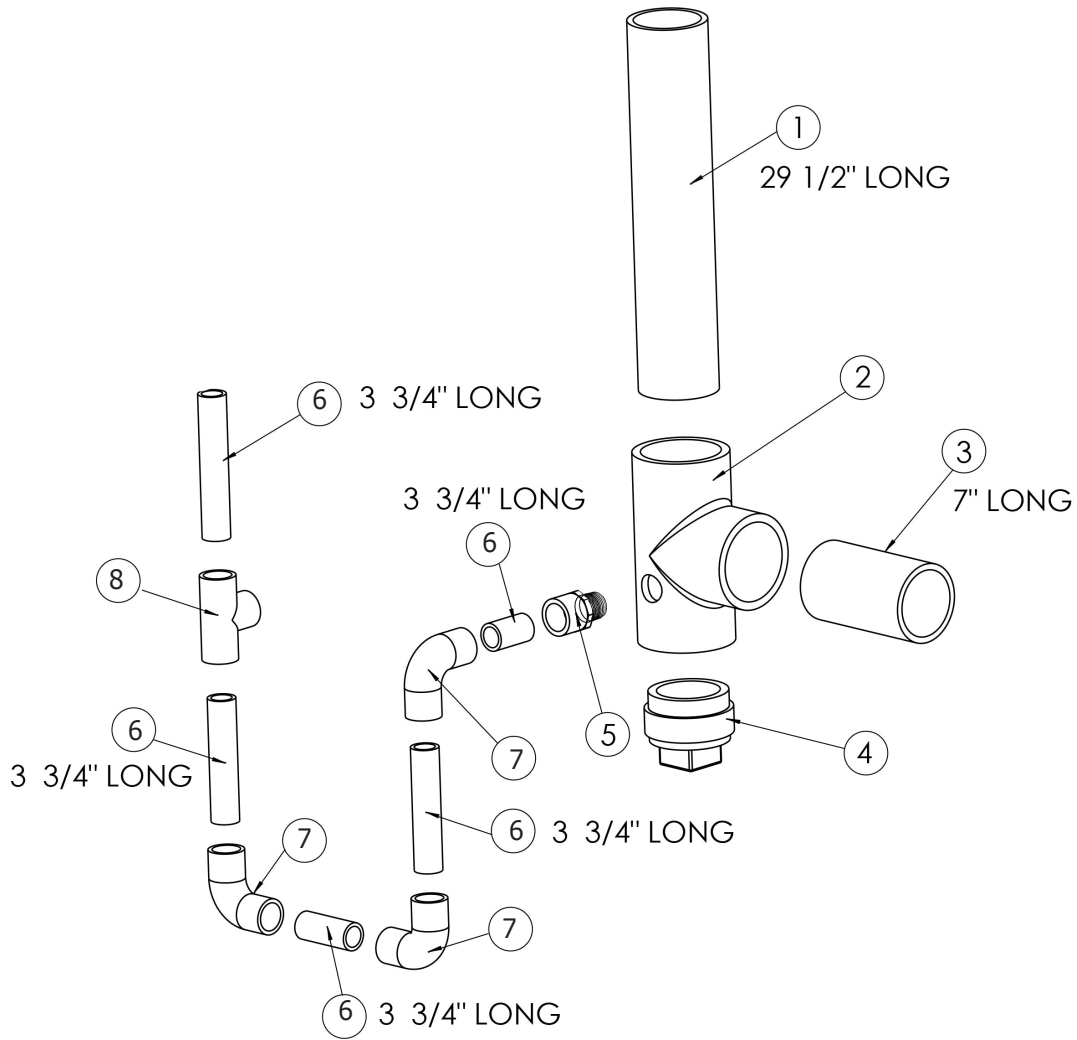
(includes Items 7-9 (below))

7	1250010	Igniter/Mixer Gasket	1
8	1264005	Hot Surface Igniter	1
9	14695809	Screw 10-32 x ¾"	2

Circulator Pump (Optional) - not shown

PART NO.	DESCRIPTION	QTY.
CI-001.03	Circulator Pump w/Flange, Taco	1

EXHAUST TEE AND CONDENSATE TRAP ASSEMBLY

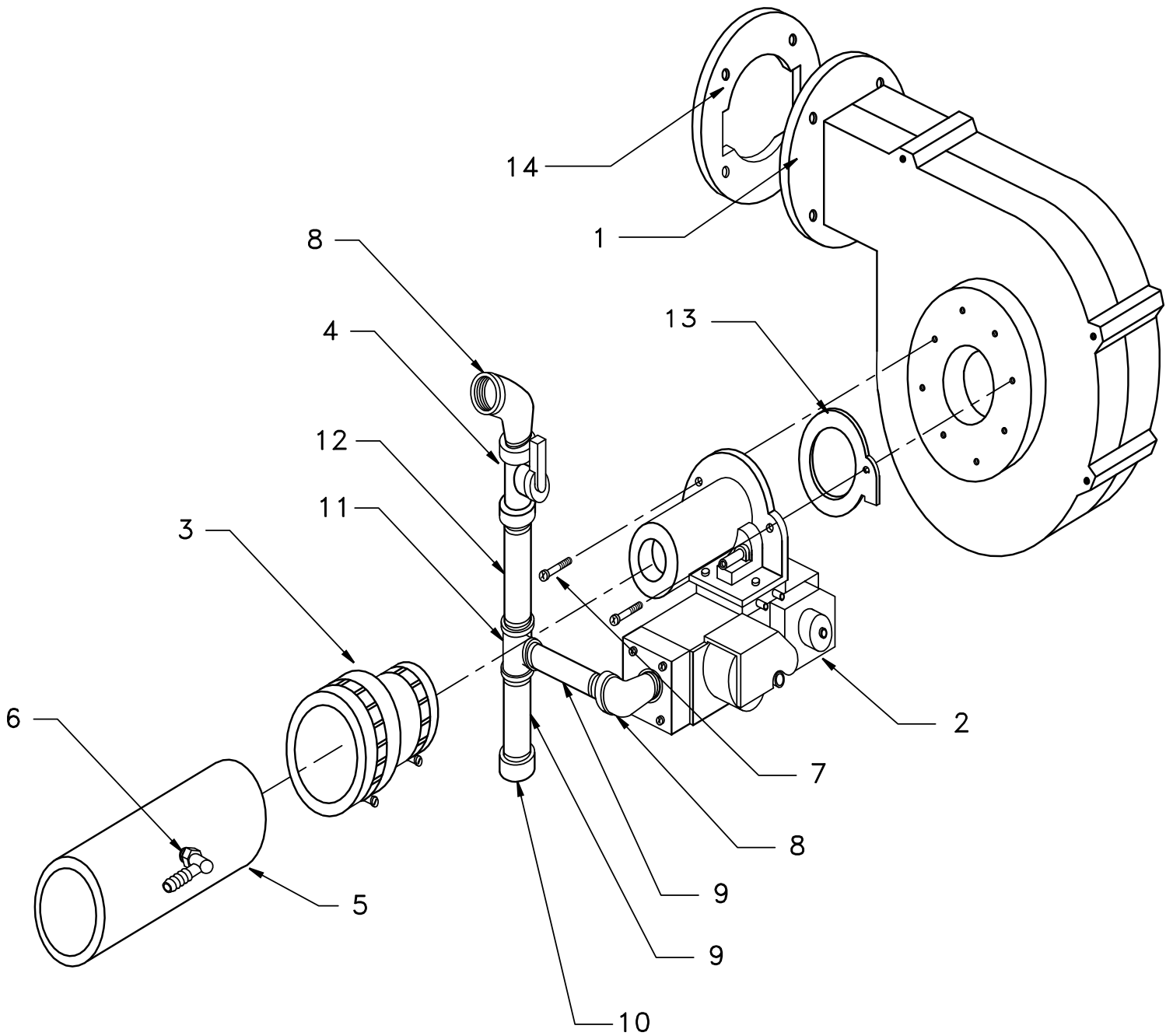


ITEM	PART NO.	DESCRIPTION	QTY.
1	240006820	Vent Pipe 2" CPVC SCH-40 x 29½" S636	2
2	240006819	Tee 2" CPVC SCH-80 S636, w/ hole	1
3	240006827	Vent Pipe 2" CPVC SCH-40 x 7" S636	1
4	240005852	Cleanout, PVC, 2"	1
*	240007536	Parts Bag, 90-200 Condensate (contains items 5-11)	
5	1001002	PVC Fitting ½" NPT Male x ½" Slip Female	1
6	240007262	Pipe ½" PVC SCH-40 x 3¾"	5
7	1190005	Elbow ½" x 90° PVC SCH-40	3
8	1510012	Tee ½" x ½" x ½" PVC SCH-40	1
*	240006822	Coupling, 2" CPVC	1

550002946 condensate Trap / Exhaust Tee Kit (contains items 2 thru 11 as well as parts for connecting to existing vent and condensate lines.)

* Not Shown

FLUE ADAPTER AND EXHAUSTER ASSEMBLY

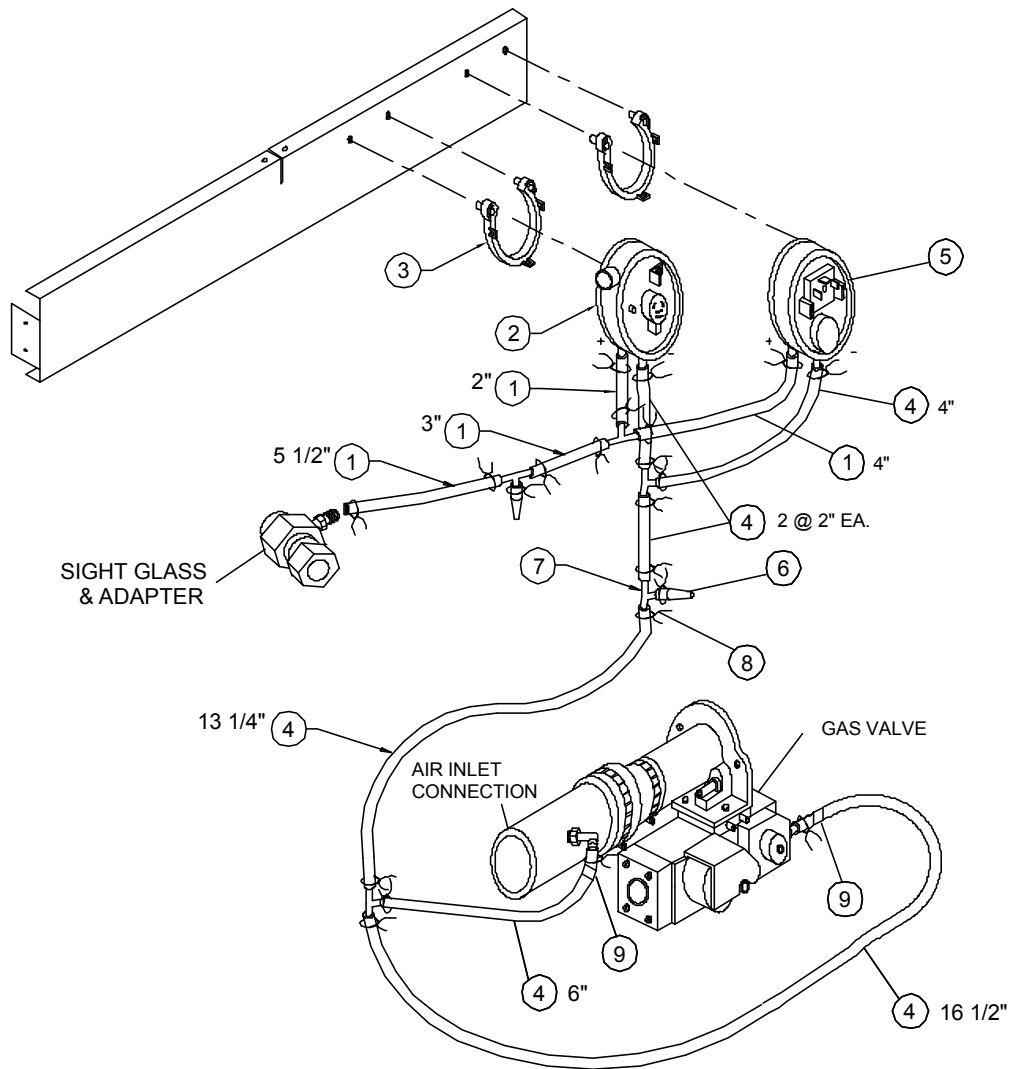


FLUE ADAPTER AND EXHAUSTER ASSEMBLY

ITEM	PART NO.	DESCRIPTION	QTY.
1	2272145	Blower Replacement Kit (includes #13 (below))	1
2	2272140	Gas Valve Replacement Kit (125 Only) (includes #13)	1
	2272141	Gas Valve Replacement Kit (150 Only) (includes #13)	1
	2272142	Gas Valve Replacement Kit (175 Only) (includes #13)	1
	2272143	Gas Valve Replacement Kit (200 Only) (includes #13)	1
3	14631311	2" x 1½" Flex Coupling	1
4	1570038	Ball Valve ½" (Blue)	1
5	1400007	Vent Pipe 2" PVC SCH-40 (8" Long)	1
6	1230011	Fitting, PE, ⅛" NPT" x ³/₁₆", Barb 90°	1
7	1450012	Screw T25 Torx	2
8	14693801	Elbow Street Mall ½" - 90 PWX	2
9	14607301	Nipple Blk. Std. ½" NPT x 3"	2
10	1225015	Cap ½" Cast Iron	1
11	14657015	Tee Black ½"	1
12	14607803	Nipple Blk. Std. ½" x 4½"	1
13	1250021	Gasket, Cork, Venturi	1
14	1250007	Gasket, Fan Flue Adapter	1
*	KBANP1401DNK	Nat to LP Conversion Kit (125 Only)	1
*	KBANP1501DNK	Nat to LP Conversion Kit (150 Only)	1
*	KBANP1601DNK	Nat to LP Conversion Kit (175 Only)	1
*	KBANP1701DNK	Nat to LP Conversion Kit (200 Only)	1
*	KBAPN1401DNK	LP to Nat Conversion Kit (125-200)	1

* Not Shown

MIXER AND AIR PRESSURE SWITCH ASSEMBLY



ITEM	PART NO.	DESCRIPTION	QTY.
1	1552014	Silicone Tubing, $\frac{3}{16}$ " I.D.	Varies
2	1401004	Air Pressure Switch, 3 1/2" W.C.	1
3	1401002	Air Pressure Switch Clip	2
4	1552004	Orange Silicone Tubing, $\frac{3}{16}$ " I.D.	Varies
5	1401003	Air Pressure Switch, 1/2" W.C.	1
6	1230006	$\frac{3}{16}$ " Black Vinyl Cap	2
7	1510009	Plastic Barbed Hose Tee, $\frac{3}{16}$ " I.D.	5
8	1110001	Rotor Clamp	22
9	PB-002.02	Pilot Orifice, BBR10	2

CAC/BDP BOILERS
2201 Dwyer Ave.
Utica, New York 13501