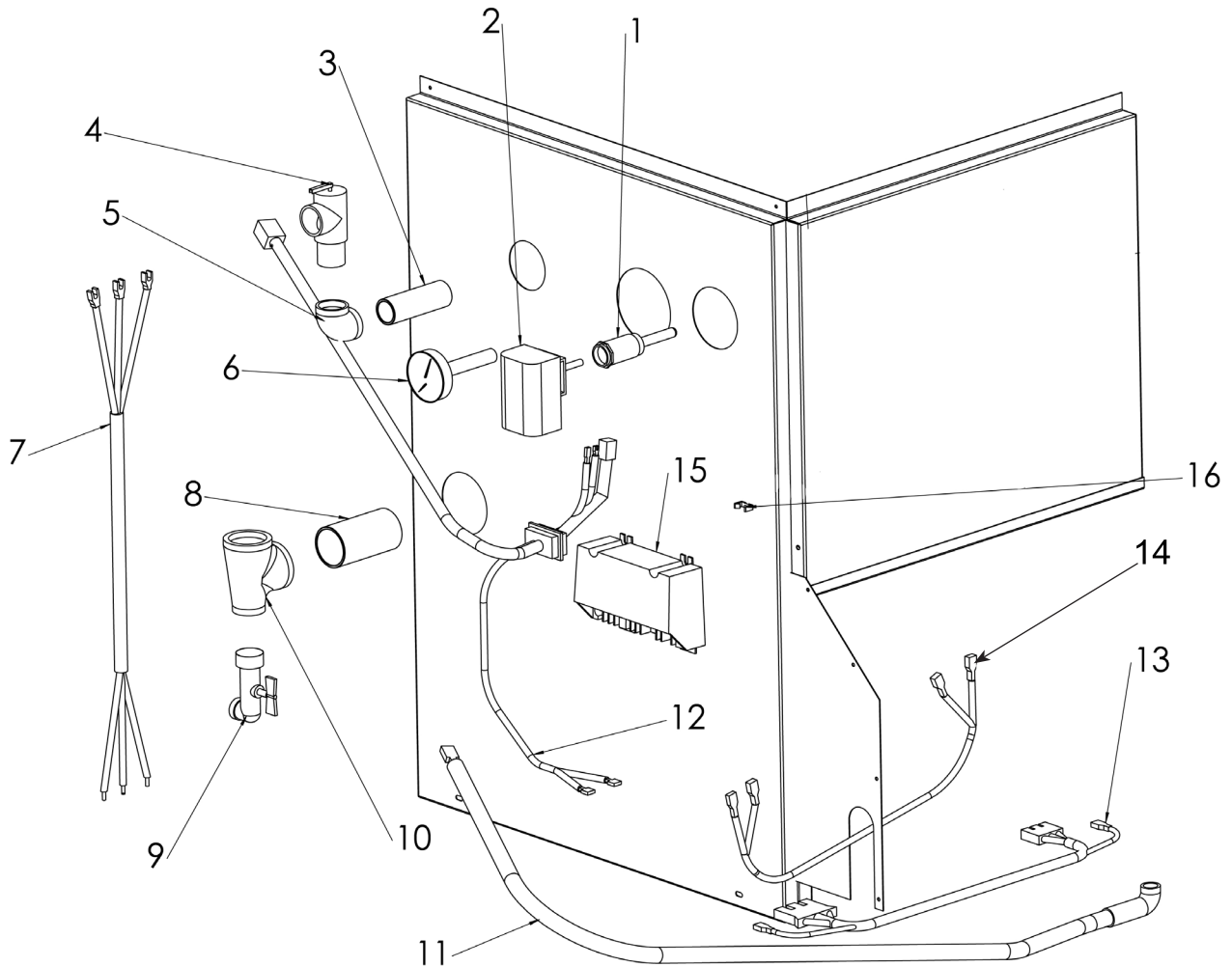


INSERT

Repair Parts for Product Equipped with HYDROLEVEL 3200 CONTROL

HYDROLEVEL



| Item | Part No. | Description | Qty. |
|------|-----------|------------------------------|------|
| 1 | 240009115 | Well ¾" x 3" | 1 |
| 2 | 240009113 | Hydrolevel Control | 1 |
| 3 | 1310001 | Pipe - Nipple ¾" x 4" | 1 |
| 4 | VR-001.01 | Relief Valve 30# | 1 |
| 5 | 1190001 | Pipe - Elbow ¾" 90° | 1 |
| 6 | 1260006 | Gauge - Temperature Pressure | 1 |
| 7 | 37519501 | Harness Circulator 72" | 1 |
| 8 | 1310002 | Pipe - Nipple 1¼" x 4½" NPT | 1 |
| 9 | 240009323 | Drain Valve | 1 |

| Item | Part No. | Description | Qty. |
|------|-----------|-------------------------------------|------|
| 10 | 1510001 | Pipe - Tee 1¼" x ¾" x 1¼" | 1 |
| 11 | 240010064 | Pilot Ignition Cable 30" | 1 |
| 12 | 240005480 | Wire - Low Voltage/Damper | 1 |
| 13 | 37413602 | Harness - Ignition to Gas Valve 18" | 1 |
| 14 | 240010064 | Cable Boot | 1 |
| 15 | 14662070 | Pilot Spark Control | 1 |
| 16 | EF03601 | Clamp #3600 White | 2 |

Refer to current Parts Manual for Pilot Kit information

