

L7148, PWX & PWXL CONTROL REPLACEMENT KIT #550002858 INSTRUCTIONS

Installation shall be completed by qualified agency.

WARNING
<p>Fire, explosion, asphyxiation and electrical shock hazard. Improper installation could result in death or serious injury. Read these instructions and understand all requirements, including requirements of authority having jurisdiction, before beginning installation. Installation not complete until appliance operation is verified per Installation, Operation & Maintenance Manual provided with boiler.</p>

PWX CONTROL REPLACEMENT KIT # 550002858 CONTENTS		
Description	Item Number	Qty
Control, 3200	240009113	1
Remote Mounting, Hydrolevel, Kit	240010353	1
Damper Harness	240005480	1
Wire Harness	37513301	2
Wiring Diagram	240009480	1
Hydrolevel Well	240007709	1
Instructions	240010346	1

Control installation shall conform to requirements of authority having jurisdiction or in absence of such requirements:

- United States
 - National Fuel Gas Code, ANSI Z223.1/NFPA 54.
 - National Electrical Code, NFPA 70.
 - Canada
 - Natural Gas and Propane Installation Code, CAN/CSA B149.1.
 - Canadian Electrical Code, Part I, Safety Standard for Electrical Installations, CSA C22.1
1. HydroStat control replacement incorporates Low Water Cutoff function (automatic, not manual, reset) along with temperature control, provided Hydrolevel electro well is used.
 - If low water cutoff function is desired, drain the system and replace the existing sensor well with included electrowell.
 - If low water cutoff function is already provided, existing sensor well may be used for temperature control only.
 2. Mount HydroStat 3200 to boiler jacket or nearby wall. Select a location where control is accessible and wires leading in and out are not exposed to damage. Verify harness and sensor wires reach the control. See mounting kit instructions.

NOTICE
<p>Locate sensor wire to protect from damage, or accidental dislocation from well.</p>

- Complete first 9 steps which include installing sensor.
- Complete step 10 if low water cutoff function is desired.

REPLACEMENT INSTRUCTIONS

3. Unplug existing vent damper harness from vent damper.
 - Install new vent damper harness between the vent damper and HydroStat 3200.
 - Two 18 gauge black wires in new vent damper harness are connected to B1 and B2 terminals inside HydroStat 3200.

WARNING

Electrical shock hazard. Turn OFF electrical power supply at service panel before making electrical connections. Failure to do so could result in death or serious injury.

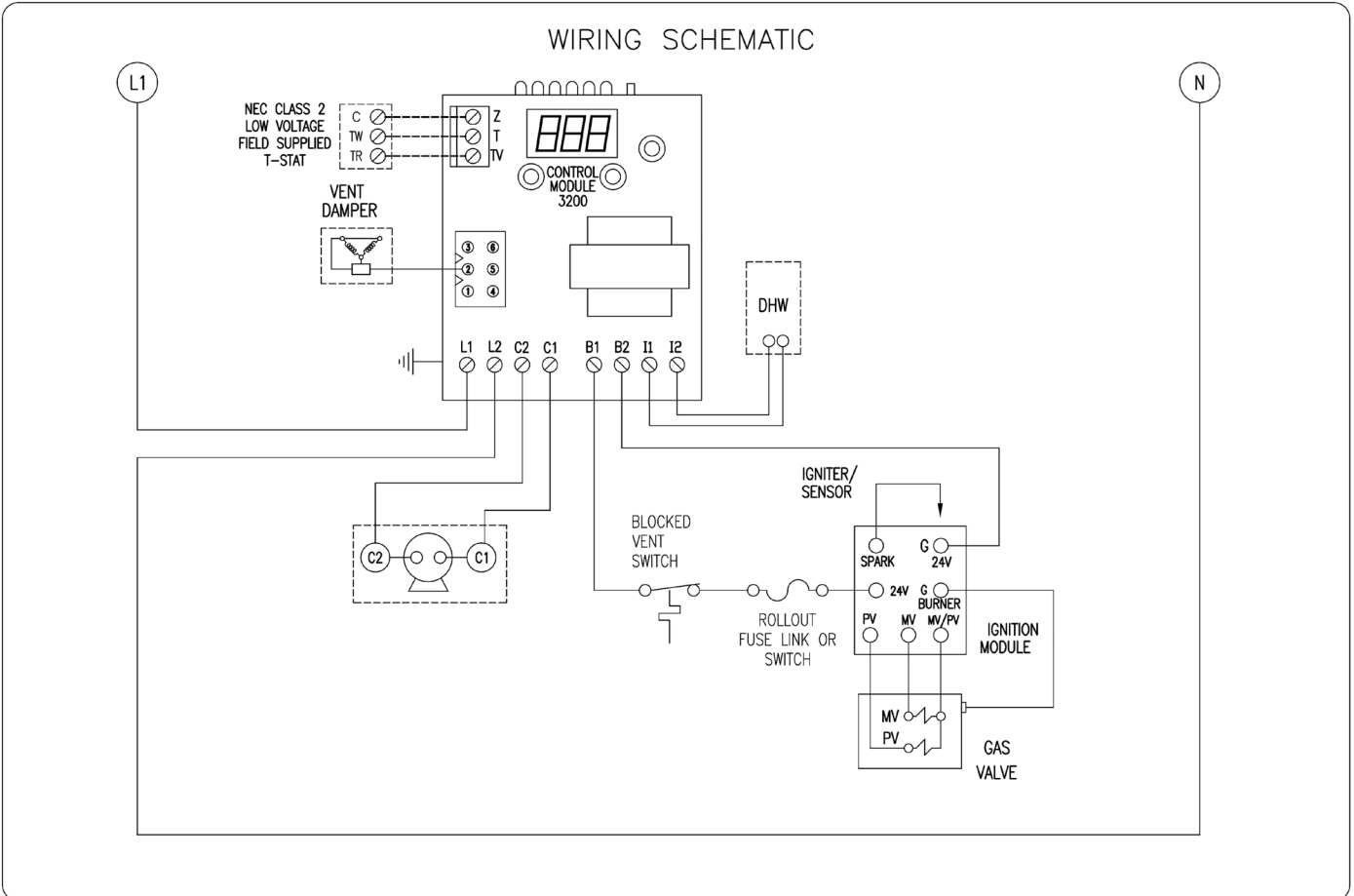
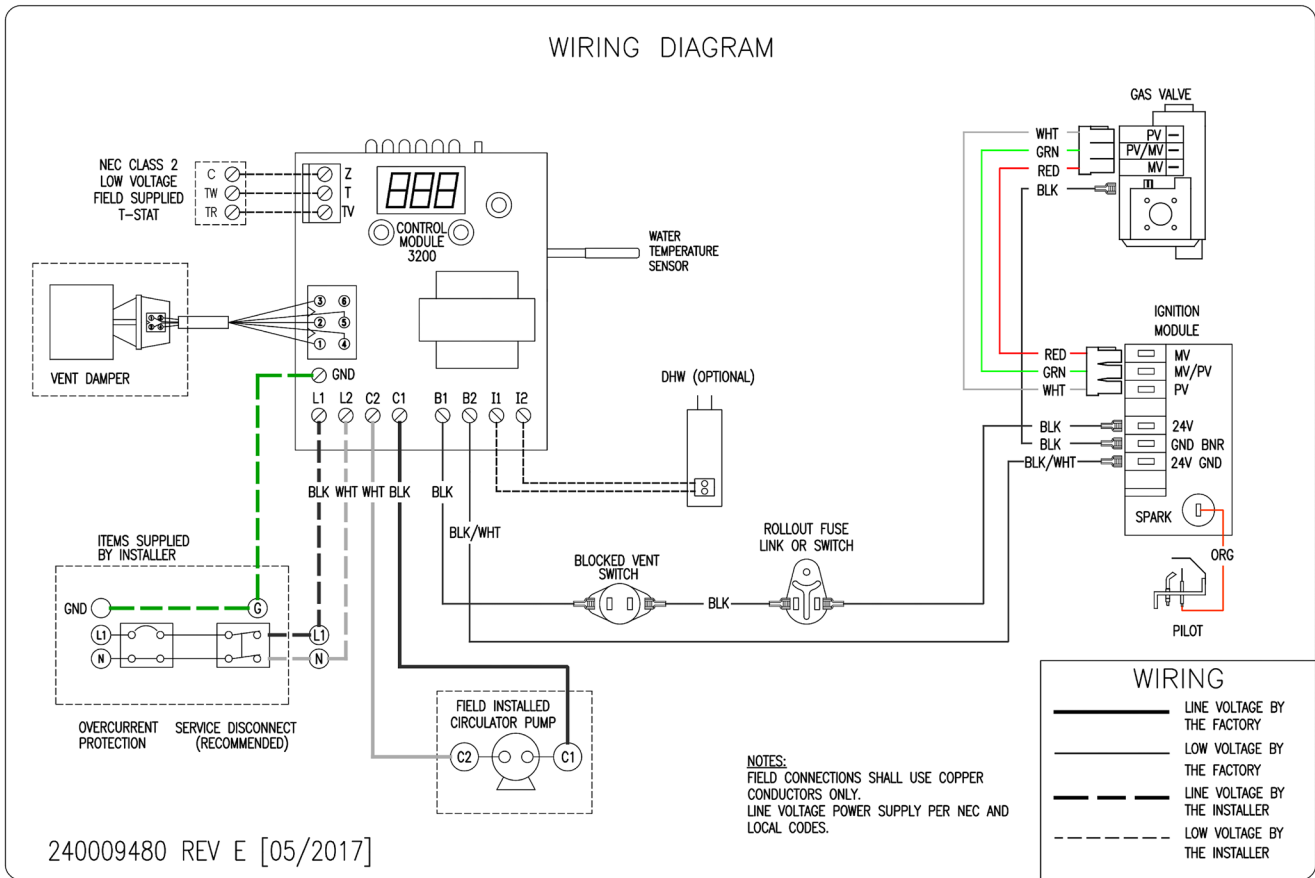
4. Verify electrical power is off at circuit breaker. Connect line voltage supply (hot, neutral and ground) from junction box wiring on boiler to HydroStat 3200 using BX conduit and 18 gauge wire.
 - L1 = hot, L2 = neutral, ground to green screw. Service switch should remain functional.
5. Disconnect circulator wires (white and black) from junction box wiring and connect them to HydroStat 3200.
 - C1 = black, C2 = white.
6. Disconnect thermostat from junction box wiring, connect them to HydroStat 3200.
 - Connect two wires to terminals T and TV.
7. Remove existing blocked vent switch and rollout switch wiring. Plug one of 2 provided cable harnesses into blocked vent switch and run it into vestibule.
 - Plug female end into one connector of rollout fuse switch.
 - Plug male end into one of two female spade connections on new damper harness.
8. Plug second provided wire harness into appropriate terminals of either gas valve (for standing pilot models) or pilot control box (for electronic ignition models) using end with 2 female spade connections.
 - Plug female connector at opposite end into remaining connection on rollout fuse switch.
 - Plug single male connector into second spade connection on new damper harness.
9. If Indirect hot water is used refer to Hydrolevel 3200 instructions which also describe energy saving features of replacement control.
10. Refer to enclosed wiring diagrams. Verify all wiring matches enclosed applicable wiring diagrams, electronic ignition or standing pilot.
11. Retain enclosed literature with boiler for future reference.
12. Existing Honeywell control and transformer will no longer be powered or functional. They can be removed from system or left in place.
13. Original lights on diverter panel will not operate. Use indicator lights on Hydrolevel 3200.

WARNING

Fire, explosion, asphyxiation and electrical shock hazard. Improper installation could result in death or serious injury. Securely fasten stand to floor before mounting boiler to stand. Failure to follow these instructions could result in death or serious injury.

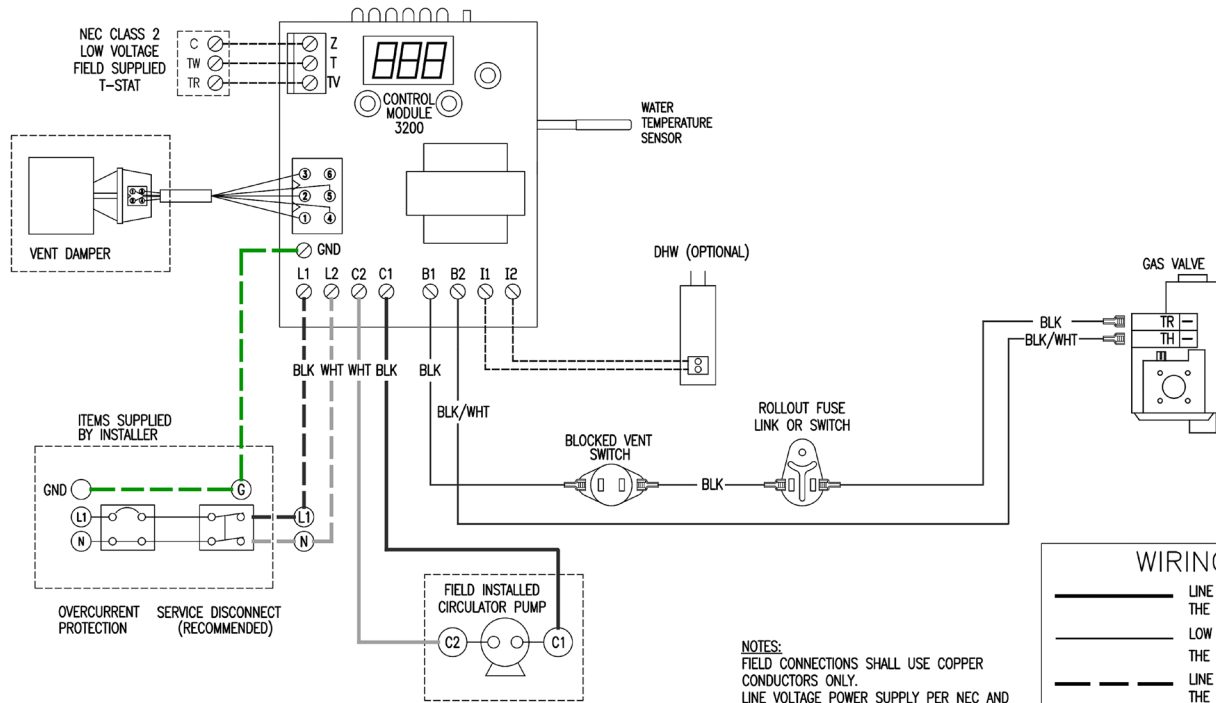
14. Installation not complete until appliance operation is verified per Installation, Operation & Maintenance Manual provided with boiler.

WIRING DIAGRAM SPARK PILOT



WIRING DIAGRAM STANDING PILOT

WIRING DIAGRAM



NOTES:
 FIELD CONNECTIONS SHALL USE COPPER CONDUCTORS ONLY.
 LINE VOLTAGE POWER SUPPLY PER NEC AND LOCAL CODES.

WIRING SCHEMATIC

