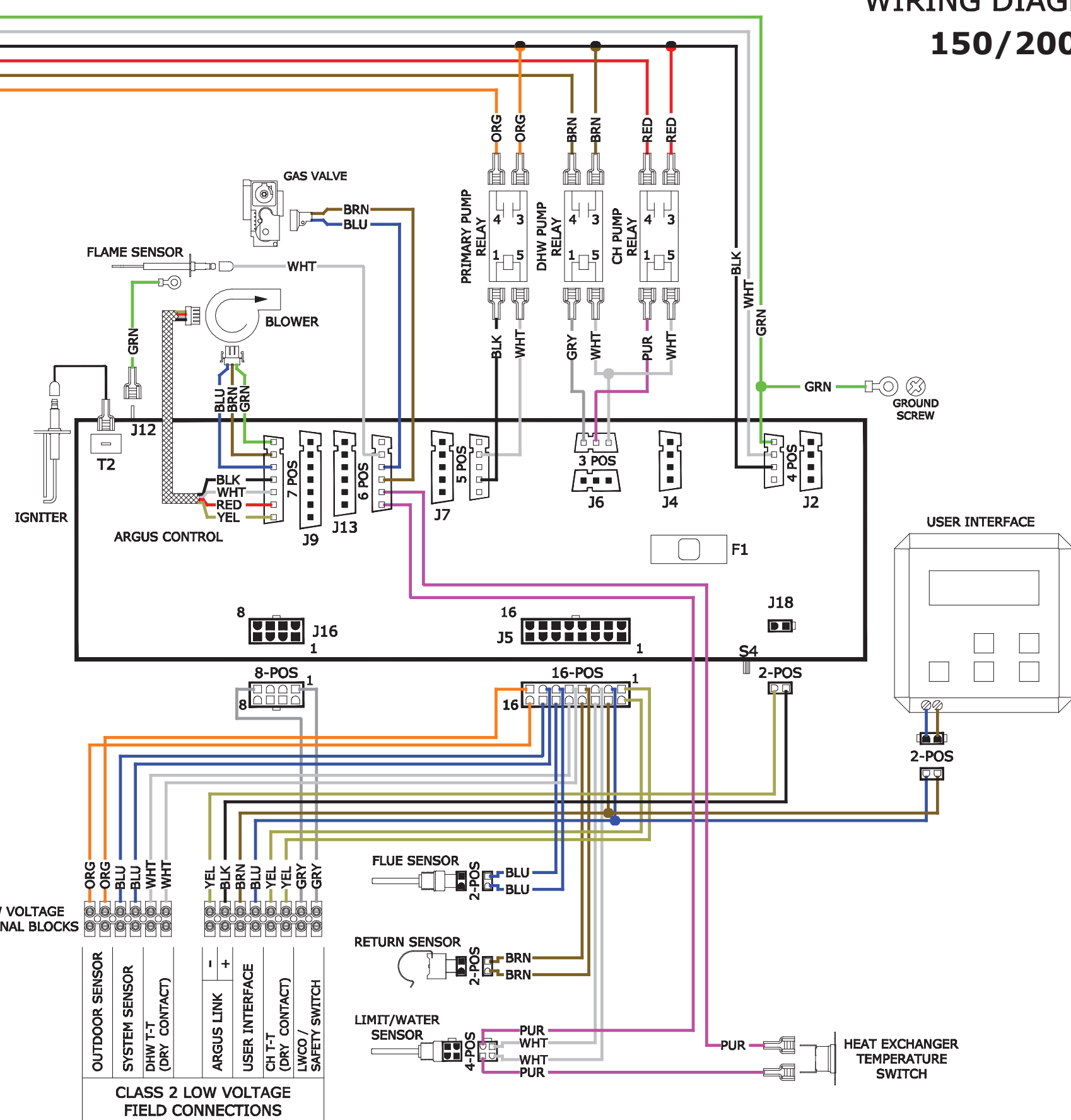
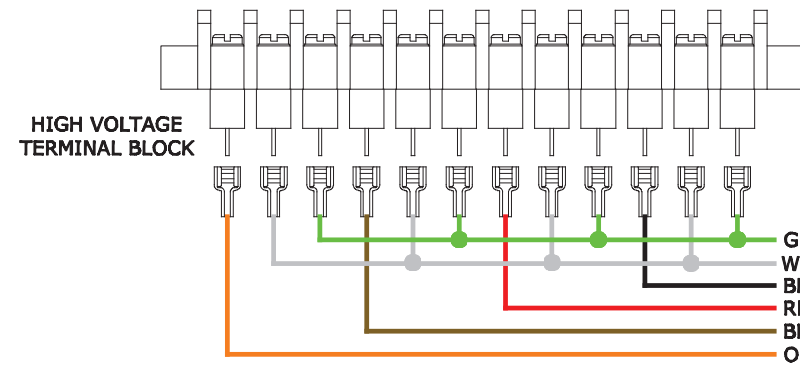


WIRING DIAGRAM 150/200

120V AC FIELD CONNECTIONS IN ACCORDANCE WITH NEC / CEC AND LOCAL CODES. USE COPPER CONDUCTORS ONLY. REFER TO ELECTRICAL CONNECTIONS SECTION OF INSTALLATION MANUAL.

PRIMARY PUMP			DHW PUMP			CH PUMP			120 VAC		
L	N	G	L	N	G	L	N	G	L	N	G



LOW VOLTAGE TERMINAL BLOCKS

OUTDOOR SENSOR	SYSTEM SENSOR	DHW T-T (DRY CONTACT)	ARGUS LINK	USER INTERFACE	CH T-T (DRY CONTACT)	LWCO / SAFETY SWITCH
ORG	ORG	BLU	YEL	-	YEL	GRY
ORG	BLU	WHT	BLK	+	BLU	GRY
	WHT	WHT	BRN		YEL	
			BLU		BLU	
			YEL		YEL	
			GRY		GRY	

CLASS 2 LOW VOLTAGE FIELD CONNECTIONS

LADDER DIAGRAM 150/200

