



Single and Multi-Zone Ductless Inverter Split Systems

# FSR Series

## Replacement Parts Manual

Air Handler (Indoor) Models:  
FWCA

Condenser (Outdoor) Models:  
FCA

### Ordering Instructions

Order Parts through your nearest supplier.

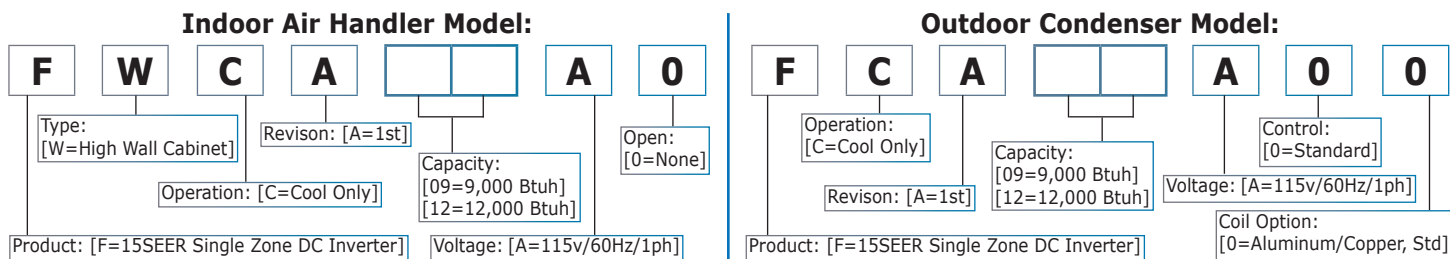
When ordering parts, obtain Model Number and Serial Number from data plate on your unit.

Include following information when ordering.

Part Number \_\_\_\_\_  
Part Description \_\_\_\_\_  
Air Handler Model Number \_\_\_\_\_  
Air Handler Serial Number \_\_\_\_\_  
Condenser Model Number \_\_\_\_\_  
Condenser Serial Number \_\_\_\_\_



## FSR Series Model Decoding



Information and specifications outlined in this manual in effect at the time of printing of this manual. ECR International reserves the right to discontinue, change specifications or system design at any time without notice and without incurring any obligation, whatsoever.

[EMI Limited Warranty](#) applies, 1-year parts and 5-year compressor.

# Table of Contents

## FSR Series - Active Models

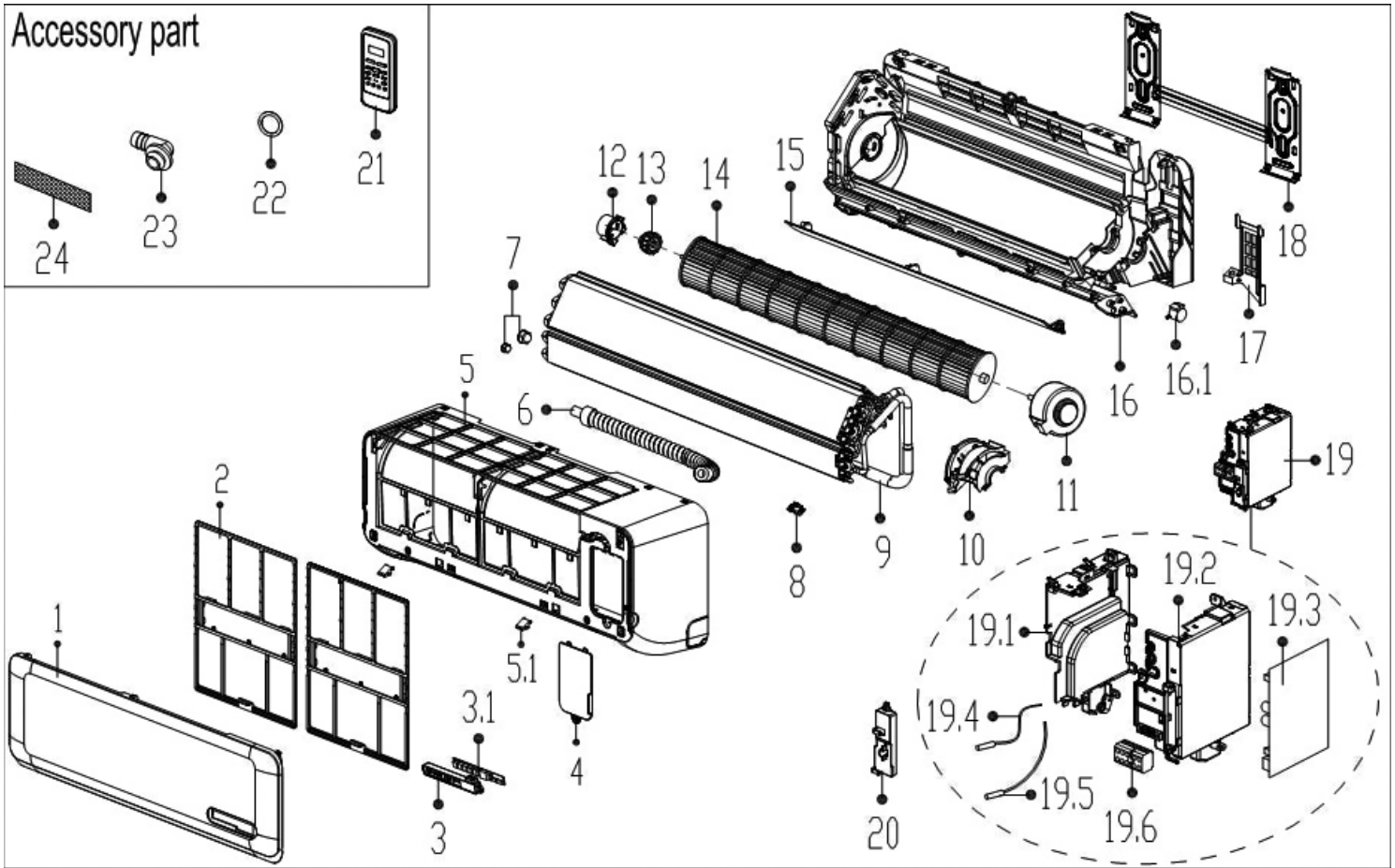
FSR Series FWCA09A0: 9,000 Btuh 115v AC-Only 15SEER High Wall Air Handler.....4

FSR Series FCA09A00: 9,000 Btuh 115v AC-Only 15SEER Single Zone Condenser .....5

FSR Series FWCA12A0: 12,000 Btuh 115v AC-Only 15SEER High Wall Air Handler .....6

FSR Series FCA12A00: 12,000 Btuh 115v AC-Only 15SEER Single Zone Condenser .....7

## FSR Series - Active Model 9,000 Btuh 115v Straight Cool **FWCA09A0** High-Wall Air Handler

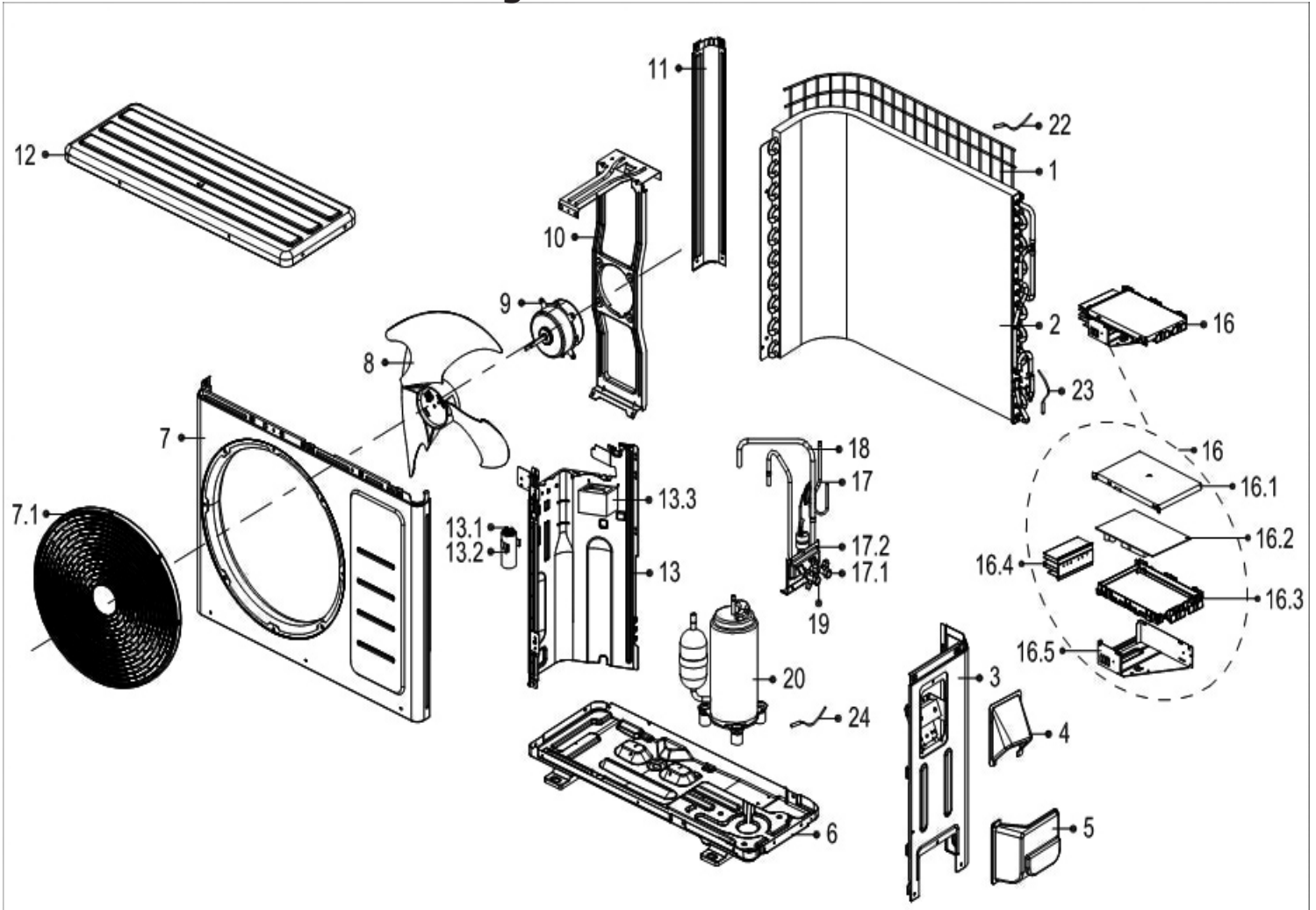


Ref#	Part Number	Description	Qty
1	2011323A3199	Panel assembly	1
2	201132391045	Air filter	2
3	203332590981	Display box assembly	1
3.1	#N/A	Display board assembly	1
4	#N/A	Cover of electrical equipment	1
5	201132392601	Panel frame assembly	1
5.1	#N/A	Screw cap	2
6	201101020038	Drain hose	1
7	201600320000	Pipe Nut	1
7	201600320001	Pipe Nut	1
8	201102000305	Fix clamp of temperature sensor	1
9	201532390187	Evaporator assembly	1
10	201132490127	#N/A	1
11	202400300417	Asynchronous motor	1
12	201119900952	Bearing holder	1
13	202719900606	Bearing base	1
14	201100200050	Cross flow fan	1

Ref#	Part Number	Description	Qty
15	201132391046	Horizontal louver	1
16	#N/A	Chassis assembly	1
16.1	202400200031	Louver motor	1
17	201119900949	Pipe clamp board	1
18	201232390033	Installation plate	1
19	#N/A	Electronic control box assembly	1
19.1	#N/A	Electronic control box I	1
19.2	#N/A	Electronic control box II	1
19.3	201332391528	Indoor main control board assembly	1
19.4	202432390005	Ambient temperature sensor assembly	1
19.5	202301300584	Pipe temperature sensor assembly	1
19.6	#N/A	Wire joint	1
20	#N/A	Cover of electronic control box	1
21	240010011	Remote Controller	1
22	202720090001	Seal ring	1
23	201101020011	Drain joint	1
24	201131410703	Air freshening filter	1

Items may be subject to minimum order quantity.  
#NA: Contact Factory for availability and lead time.

## FSR Series - Active Model 9,000 Btuh 115v Straight Cool FCA09A00 Single Zone Condenser

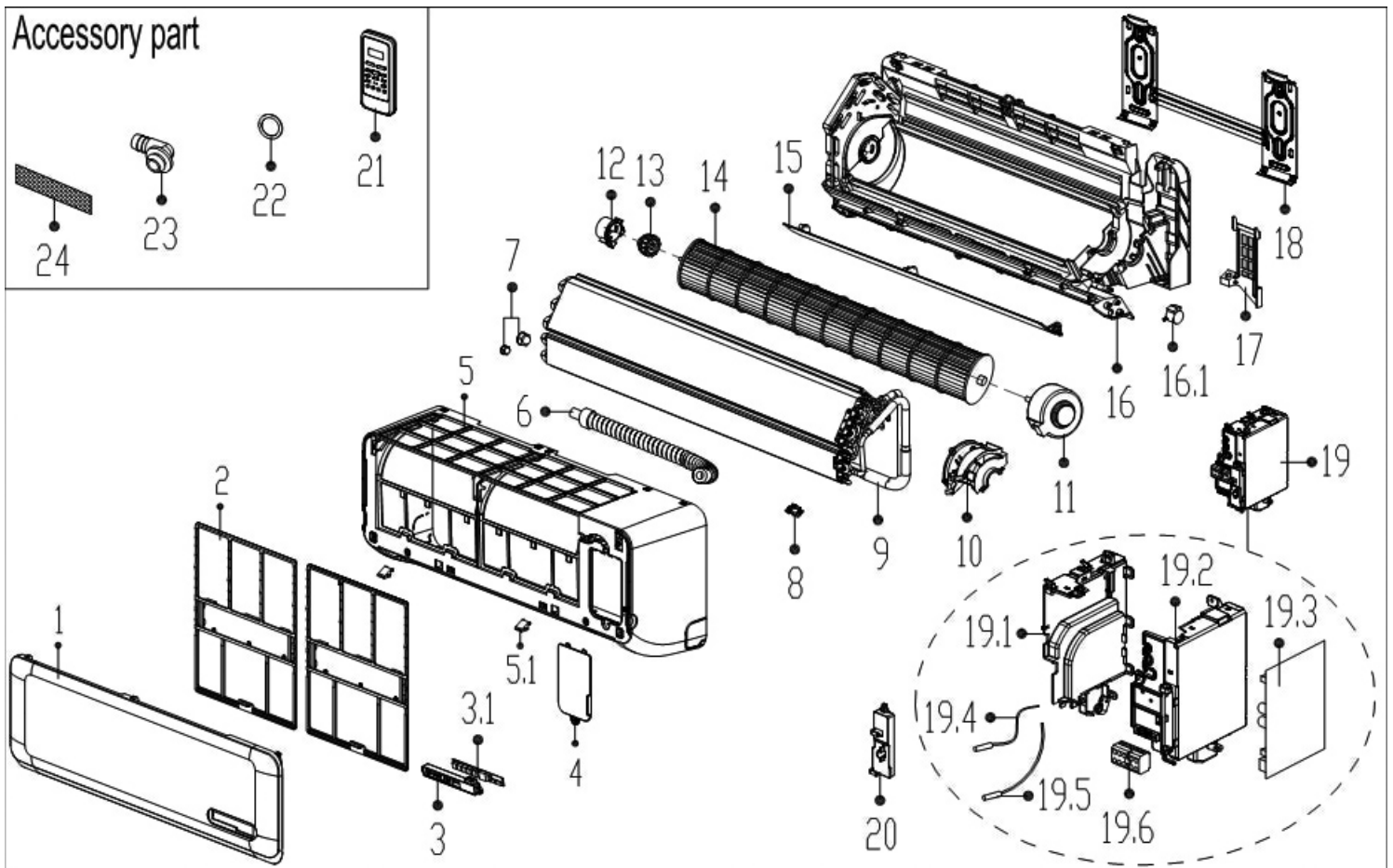


Ref#	Part Number	Description	Qty
<b>1</b>	#N/A	Rear net	1
<b>2</b>	201537390176	Condenser assembly	1
<b>3</b>	#N/A	Right clapboard assembly	1
<b>4</b>	#N/A	Big handle	1
<b>5</b>	201137390017	Water collector	1
<b>6</b>	#N/A	Chassis assembly	1
<b>7</b>	201237500196	Front panel	1
<b>7.1</b>	201137500010	Air outlet grille	1
<b>8</b>	201100300034	Axial flow fan	1
<b>9</b>	202400400990	Asynchronous motor	1
<b>10</b>	#N/A	Supporter assembly of fan motor	1
<b>11</b>	201237500180	Left supporter	1
<b>12</b>	201237500177	Top cover assembly	1
<b>13</b>	#N/A	Partition board assembly	1
<b>13.1</b>	202401090021	Capacitor of compressor	1
<b>13.2</b>	#N/A	Capacitor clip	1

Ref#	Part Number	Description	Qty
<b>13.3</b>	202301000860	Reactor	1
<b>16</b>	#N/A	Electronic control box assembly	1
<b>16.1</b>	#N/A	Cover of electronic control box	1
<b>16.2</b>	2013373A0143	Outdoor main control board assembly	1
<b>16.3</b>	#N/A	Support of electronic control box	1
<b>16.4</b>	202301990015	Radiator	1
<b>16.5</b>	#N/A	Electronic installing box	1
<b>17</b>	#N/A	Liquid valve assembly	1
<b>17.1</b>	201600700076	Liquid valve	1
<b>17.2</b>	#N/A	Valve plate	1
<b>18</b>	#N/A	Suction pipe assembly	1
<b>19</b>	201600720094	Gas valve	1
<b>20</b>	201400601230	Compressor	1
<b>22</b>	202301300115	Ambient temperature sensor assembly	1
<b>23</b>	202301300445	Pipe temperature sensor assembly	1
<b>24</b>	202301310068	Discharge temperature sensor assembly	1

Items may be subject to minimum order quantity.  
#NA: Contact Factory for availability and lead time.

## FSR Series - Active Model 12,000 Btuh 115v Straight Cool FWCA12A0 High-Wall Air Handler

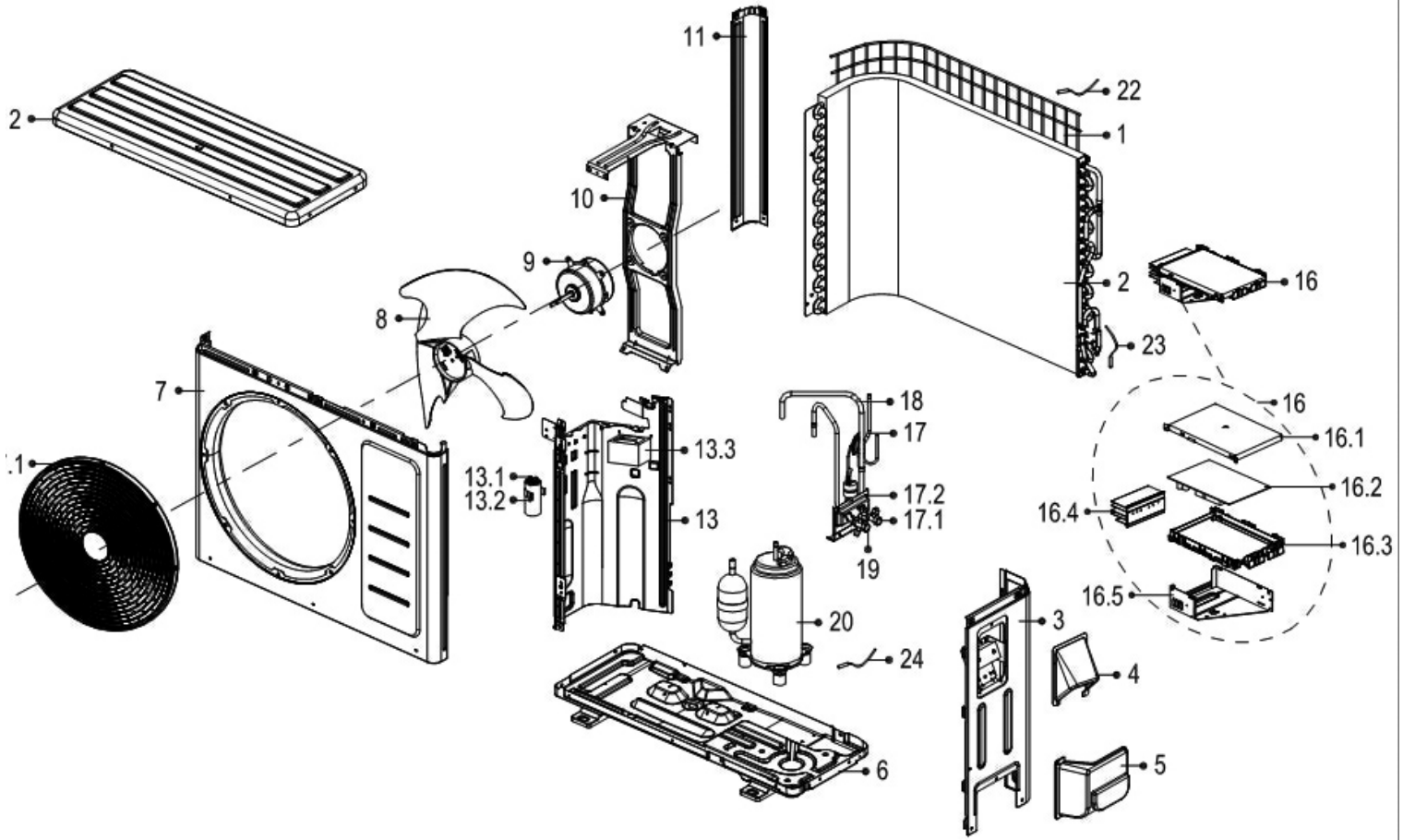


Ref#	Part Number	Description	Qty
1	2011324A0539	Panel assembly	1
2	201132490130	Air filter	2
3	203332590981	Display box assembly	1
3.1	#N/A	Display board assembly	1
4	#N/A	Cover of electrical equipment	1
5	201132490144	Panel frame assembly	1
5.1	#N/A	Screw cap	2
6	201101020038	Drain hose	1
7	201600330001	Pipe Nut	1
7	201600330003	Pipe Nut	1
8	201102000305	Fix clamp of temperature sensor	1
9	201532490047	Evaporator assembly	1
10	#N/A	Fan motor cover	1
11	202400300417	Asynchronous motor	1
12	201119900952	Bearing holder	1
13	202719900606	Bearing base	1
14	201100200051	Cross flow fan	1

Ref#	Part Number	Description	Qty
15	201132490131	Horizontal louver	1
16	#N/A	Chassis assembly	1
16.1	202400200031	Louver motor	1
17	201119900949	Pipe clamp board	1
18	201232490004	Installation plate	1
19	#N/A	Electronic control box assembly	1
19.1	#N/A	Electronic control box I	1
19.2	#N/A	Electronic control box II	1
19.3	201332591029	Indoor main control board assembly	1
19.4	202432390005	Ambient temperature sensor assembly	1
19.5	202301300584	Pipe temperature sensor assembly	1
19.6	#N/A	Wire joint	1
20	#N/A	Cover of electronic control box	1
21	240010011	Remote Controller	1
22	202720090001	Seal ring	1
23	201101020011	Drain joint	1
24	201131410703	Air freshening filter	1

Items may be subject to minimum order quantity.  
#NA: Contact Factory for availability and lead time.

## FSR Series - Active Model 12,000 Btuh 115v Straight Cool FCA12A00 Single Zone Condenser



Ref#	Part Number	Description	Qty
1	#N/A	Rear net	1
2	201537591112	Condenser assembly	1
3	#N/A	Right clapboard assembly	1
4	#N/A	Big handle	1
5	201137390017	Water collector	1
6	#N/A	Chassis assembly	1
7	201237500196	Front panel	1
7.1	201137500010	Air outlet grille	1
8	201100300034	Axial flow fan	1
9	202400400990	Asynchronous motor	1
10	#N/A	Supporter assembly of fan motor	1
11	201237500180	Left supporter	1
12	201237500177	Top cover assembly	1
13	#N/A	Partition board assembly	1
13.1	202401090021	Capacitor of compressor	1
13.2	#N/A	Capacitor clip	1

Ref#	Part Number	Description	Qty
13.3	202301000860	Reactor	1
16	#N/A	Electronic control box assembly	1
16.1	#N/A	Cover of electronic control box	1
16.2	2013373A0143	Outdoor main control board assembly	1
16.3	#N/A	Support of electronic control box	1
16.4	202301990015	Radiator	1
16.5	#N/A	Electronic installing box	1
17	#N/A	Liquid valve assembly	1
17.1	201600700076	Liquid valve	1
17.2	#N/A	Valve plate	1
18	#N/A	Suction pipe assembly	1
19	201600720194	Gas valve	1
20	201400601230	Compressor	1
22	202301300115	Ambient temperature sensor assembly	1
23	202301300445	Pipe temperature sensor assembly	1
24	202301310068	Discharge temperature sensor assembly	1

Items may be subject to minimum order quantity.  
#NA: Contact Factory for availability and lead time.



ECR International, Inc.  
2201 Dwyer Avenue • Utica, New York 13501  
Phone: 800.325.5279 • Web: [enviromaster.com](http://enviromaster.com)