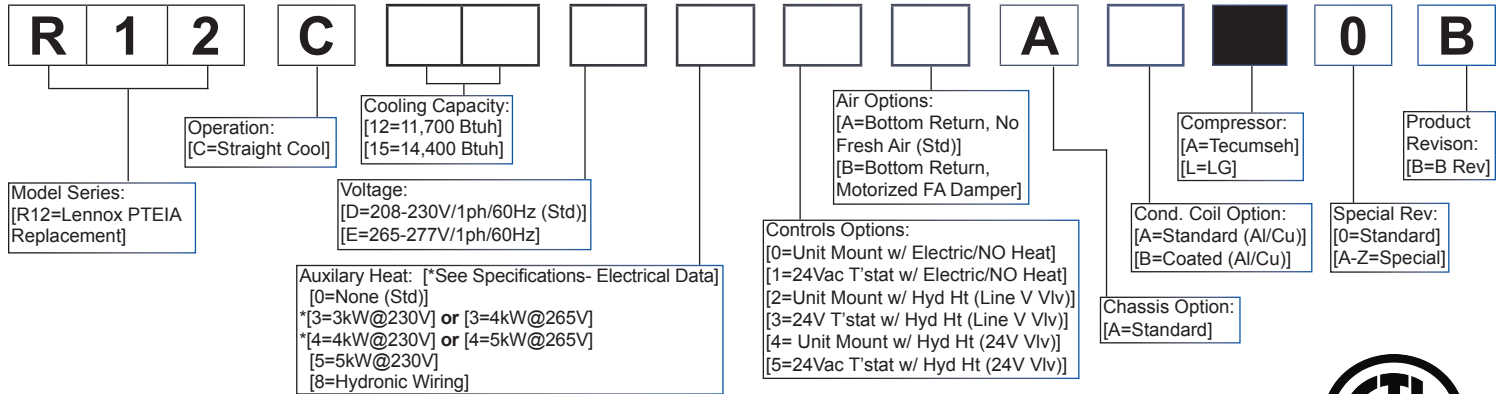


Specifications & Submittal Sheet

Replacement R12 Series Horizontal PTACs & PTHPs

R12 Series Model Decoding:



Important Selection Notes	Order Qty
<ul style="list-style-type: none"> Htr #3/4 available on 265V, see p2 for output 24Vac Remote thermostat sold separately Wall sleeve not a direct replacement for existing sleeves, requires field modification 	

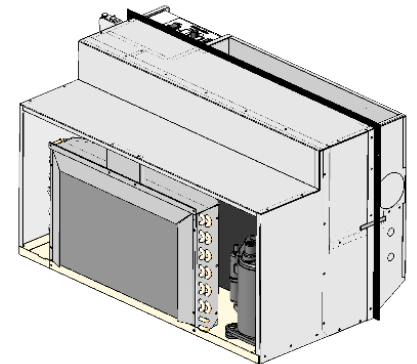


Please indicate the quantity of any field-installed accessory, desired for each unit

Thermostat, Single-Stage, 1-Heat/1-Cool, 24Vac, Programmable, ICM, Manual Changeover (PN 240008208)	Kit, Wall Sleeve, R12 [Field modification req'd] (PN 109009128)
Thermostat, 2-Stage, 2-Heat/2-Cool, 24Vac, Programmable, ICM, Manual Changeover (PN 240008209)	Kit, Aquastat, Hydronic Heat, Hot Water Sensor-Relay [Energizes Fan] (PN 550000383)
Thermostat, Single-Stage, 1-Heat/1-Cool, 24Vac, Programmable, ICM, Auto Changeover (PN 240008210)	Isolation Ball Valve, 1/2", Sweat Connections (PN 107000001)
Thermostat, T9000, Wireless, Battery, Single Stage, 1-Ht/1-CI, 5/2-Prog, MCO [#240009905 also required] (PN 240009781)	Kits, Water Valves, w/ Actuator, 2/3-Way, Line/24Vac, NO/NC, Sweat (PN Several-Consult Factory)
Remote Control Node, T9000, Printed Circuit Board, Wireless, 24Vac, 1/unit req'd [#240009781 also required] (PN 240009905)	

DOE Performance Data (Tested to AHRI 310/380)

Model	Cooling Btuh (kW)	Sensible Heat Ratio	EER	Outdoor Sound dB(A)	Fresh Air Inlet CFM (L/S)	Indoor	
						Airflow CFM (L/S)	Sound dB(A)
R12C12A	11,900 (3.5)	0.66	8.4	69	50 (24)	400 (189)	62
R12C12D	11,700 (3.4)					350 (165)	
R12C12E	11,700 (3.4)					440 (208)	
R12C15D	14,400 (4.2)	0.69	7.8	70	60 (28)	400 (189)	62
R12C15E	14,400 (4.2)					450 (212)	



To: _____
 Date: _____
 From: _____
 Contact: _____

Project: _____
 Customer: _____
 Location: _____
 Engineer: _____
 Unit Tag# _____

For Your: Reference Approval Construction

Electrical, Dimensional and Miscellaneous Specifications

R12C12 - Electrical Data

Power Supply		Compressor		ID Fan Motor		OD Fan Motor		Electric Heat				Unit Electrical Ratings				
Voltage	Min V	RLA	LRA	FLA	Hp	FLA	Hp	Htr #	Htr V	Htr W	Htr A	TCA	THA	MCA	MOCP	Power
208-230V/1ph/60Hz	197	5.6	29	0.6	0.08	0.71	0.09	0	N/A	N/A	N/A	6.9	N/A	8.3	15	6-15P
								3	208	2454	11.8		12.4	15.5	20	6-20P
									230	3000	13.0		13.6	17.1		
								4	208	3271	15.7		16.3	20.4	25	6-30P
									230	4000	17.4		18.0	22.5		
								5	208	4089	19.7		20.3	25.3	30	6-30P
230	5000	21.7	22.3	27.9												
265V/1ph/60Hz	240	4.6	20	0.67	0.08	0.71	0.09	0	N/A	N/A	N/A	6.0	N/A	7.1	15	7-20P
								3	265	3983	15.0		15.7	19.6	20	7-20P
								4	265	5310	20.0		20.7	25.9	30	7-30P

R12C15 - Electrical Data

Power Supply		Compressor		ID Fan Motor		OD Fan Motor		Electric Heat				Unit Electrical Ratings				
Voltage	Min V	RLA	LRA	FLA	Hp	FLA	Hp	Htr #	Htr V	Htr W	Htr A	TCA	THA	MCA	MOCP	Power
208-230V/1ph/60Hz	197	7.4	33	0.6	0.08	0.71	0.09	0	N/A	N/A	N/A	8.7	N/A	10.6	15	6-15P
								3	208	2454	11.8		12.4	15.5	20	6-20P
									230	3000	13.0		13.6	17.1		
								4	208	3271	15.7		16.3	20.4	25	6-30P
									230	4000	17.4		18.0	22.5		
								5	208	4089	19.7		20.3	25.3	30	6-30P
230	5000	21.7	22.3	27.9												
265V/1ph/60Hz	240	6.0	28	0.67	0.08	0.71	0.09	0	N/A	N/A	N/A	7.4	N/A	8.9	15	7-20P
								3	265	3983	15.0		15.7	19.6	20	7-20P
								4	265	5310	20.0		20.7	25.9	30	7-30P

Electrical Plug Configurations

VOLTAGE	LIFE (NO.)	15 AMPERE		20 AMPERE		30 AMPERE	
		RECEPTACLE	PLUG	RECEPTACLE	PLUG	RECEPTACLE	PLUG
125V	5	0-10R	0-15P	0-20R	0-20P	0-30R	0-30P
250V	6	6-15R	6-15P	6-20R	6-20P	6-30R	6-30P
277V	7	7-16R	7-15P	7-20R	7-20P	7-30R	7-30P

Operating Range

Mode	OD Amb. Temp	ID Amb. Temp
Cooling	Max	117°F (47°C) DB
	Min	32°F (0°C) DB
		60°F (19°C) DB

Miscellaneous Product Data

Return Air Filter	1-Washable Metal Mesh
RA Filter Dims	30 1/8" x 5 3/4" x 3/8"
Shipping Dims	39 1/2" x 26" x 23 1/2"
Shipping Weight	140 lbs (64 kg)
Compressor Type	Rotary/R-410A
R12C12 Charge	27 Ounces
R12C15 Charge	26.5 Ounces

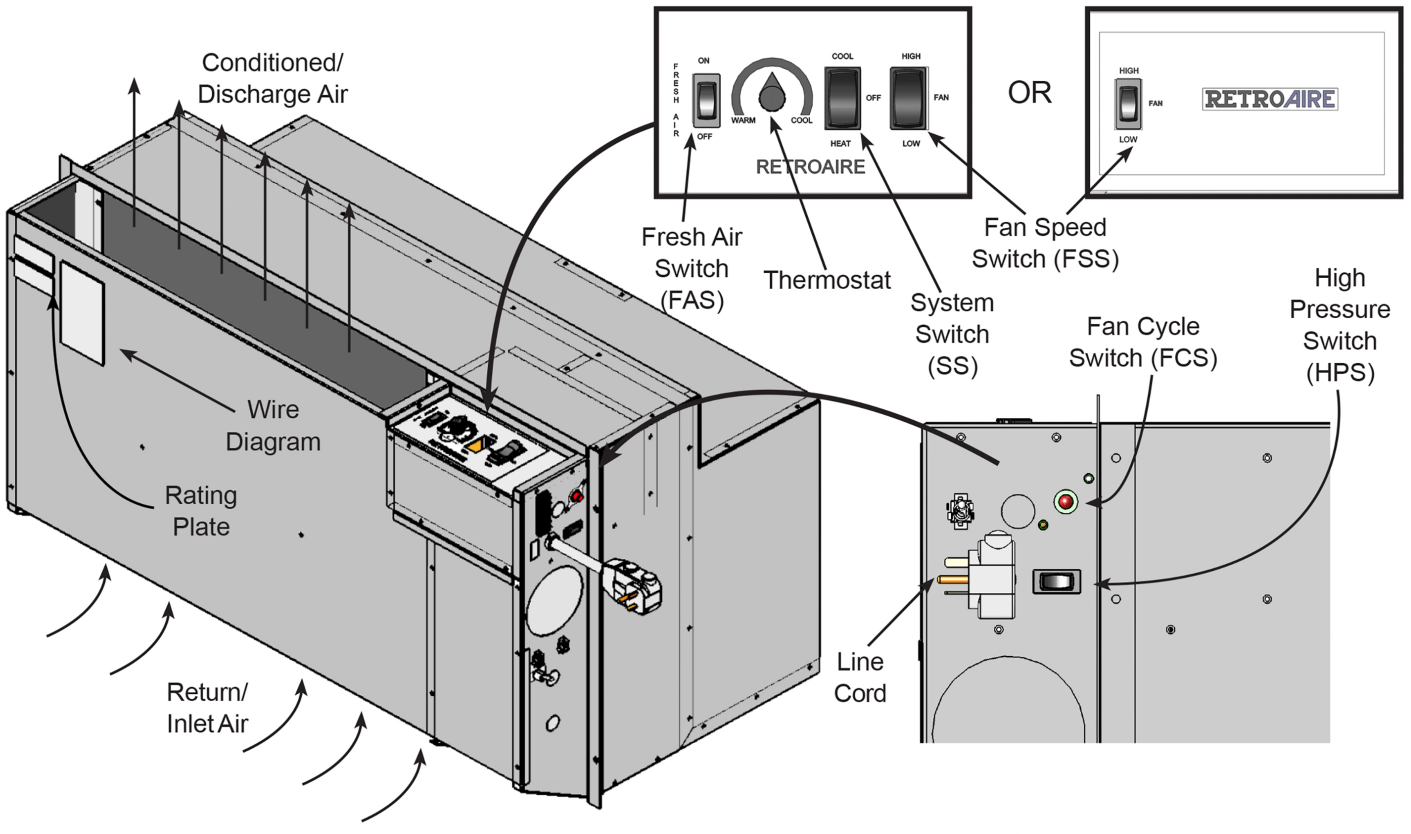
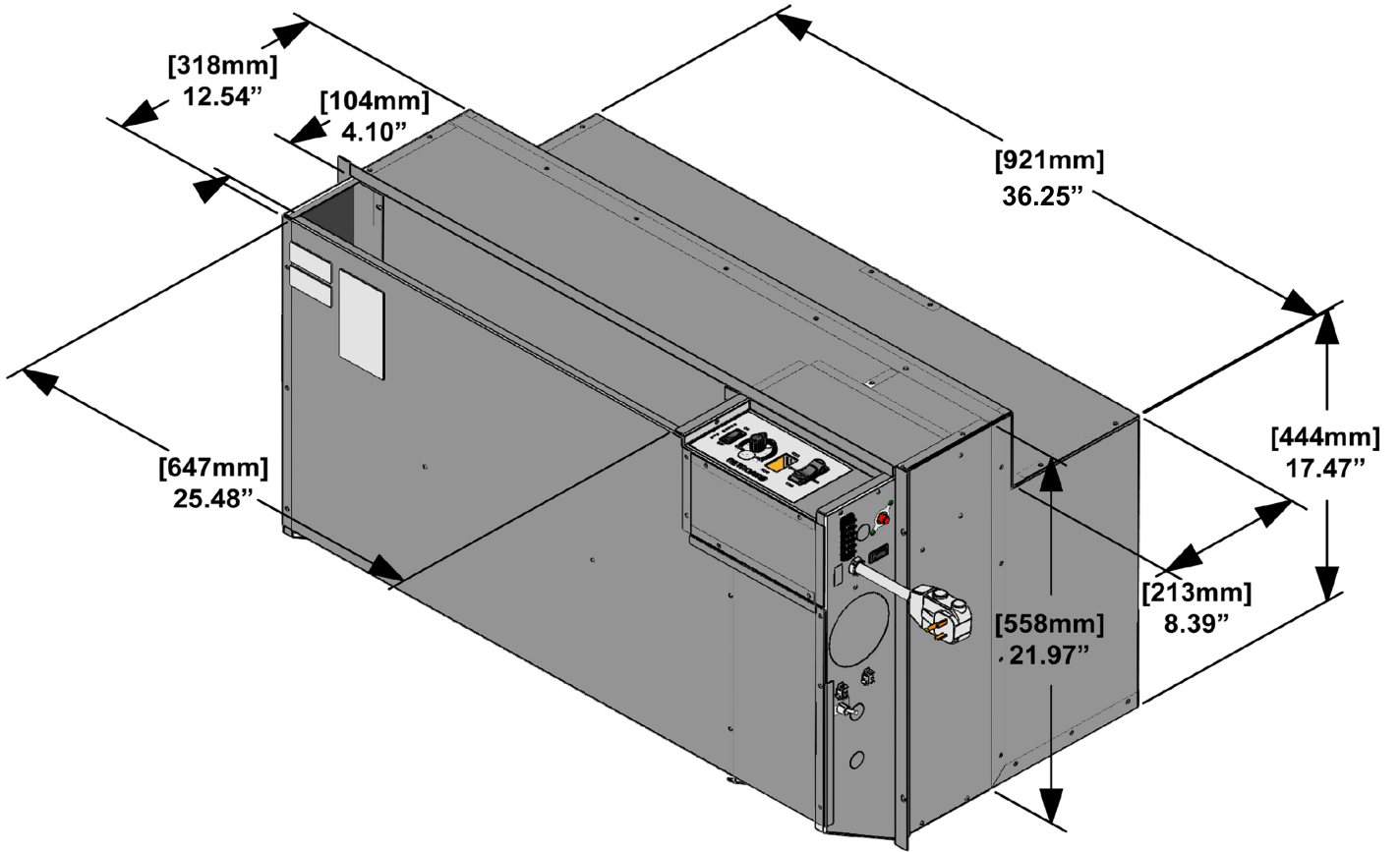
Job-Guide Specifications

- Standard Warranty: 1 Year - Parts & 5 Year - Compressor
- High Pressure Switch with Integral Compressor Lockout
- Microprocessor Control Board
- Diagnostic LED Codes with Test Mode
- Thermally-protected PSC fan motors
- Indoor Coil Freeze & Anti-Short Cycle (Compr), Protections
- DOE Performance Qualified & Listed
- ETL-US & Canada Listed for Safety to UL484 Standard
- Reversing Valve Energized in Cooling (Heat Pumps)
- Meets ASHRAE 90.1-2013 for Replacement Efficiencies
- Replaces Lennox PTEIA & IslandAire EZ Series PT



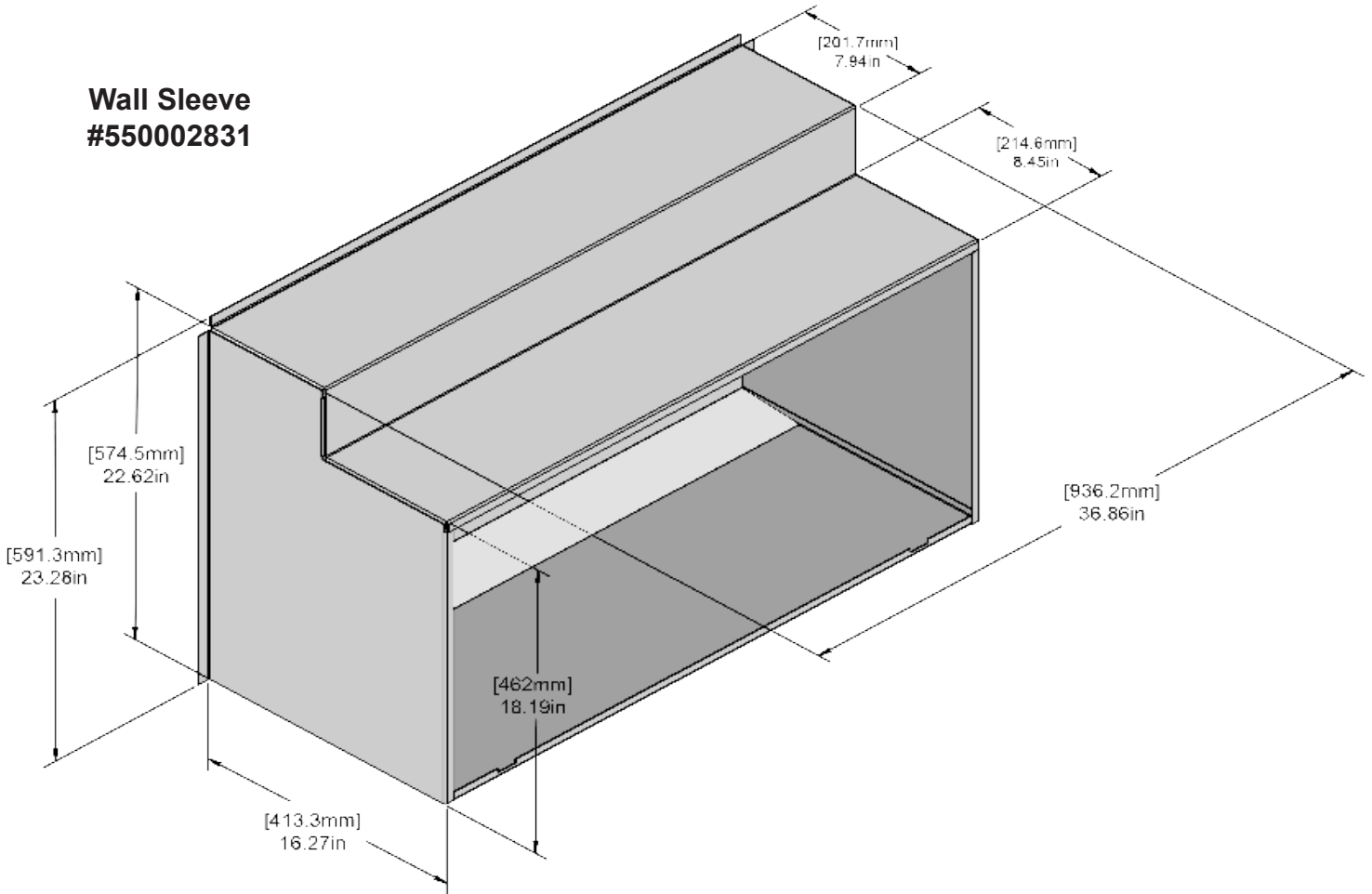
Made in the USA

Chassis Dimensions & Controls Layout



Wall Sleeve Dimensions & Notes

**Wall Sleeve
#550002831**



NOTICE: Due to ongoing product development; design, specification and performance data listed within this submittal document are subject to change without notice. For the most current performance data, please refer to ECR International listings of certified products in the AHRI directory, or consult the factory.



ECR international
EST. 1928
A Family of Heating & Cooling Brands.

ECR International, INC.
2201 Dwyer Avenue
Utica, NY 13501
e-mail: info@RetroAire.com
FAX RETRO Sales: 315-337-2732
Customer Service : 1 (800) 232-9364