



Presents

FIXED CAPACITY

CAC/H Series

UNC/H Series

WLC/H Series

S1C/H Series

S2H Series

Fixed Capacity

Replacement Parts Manual

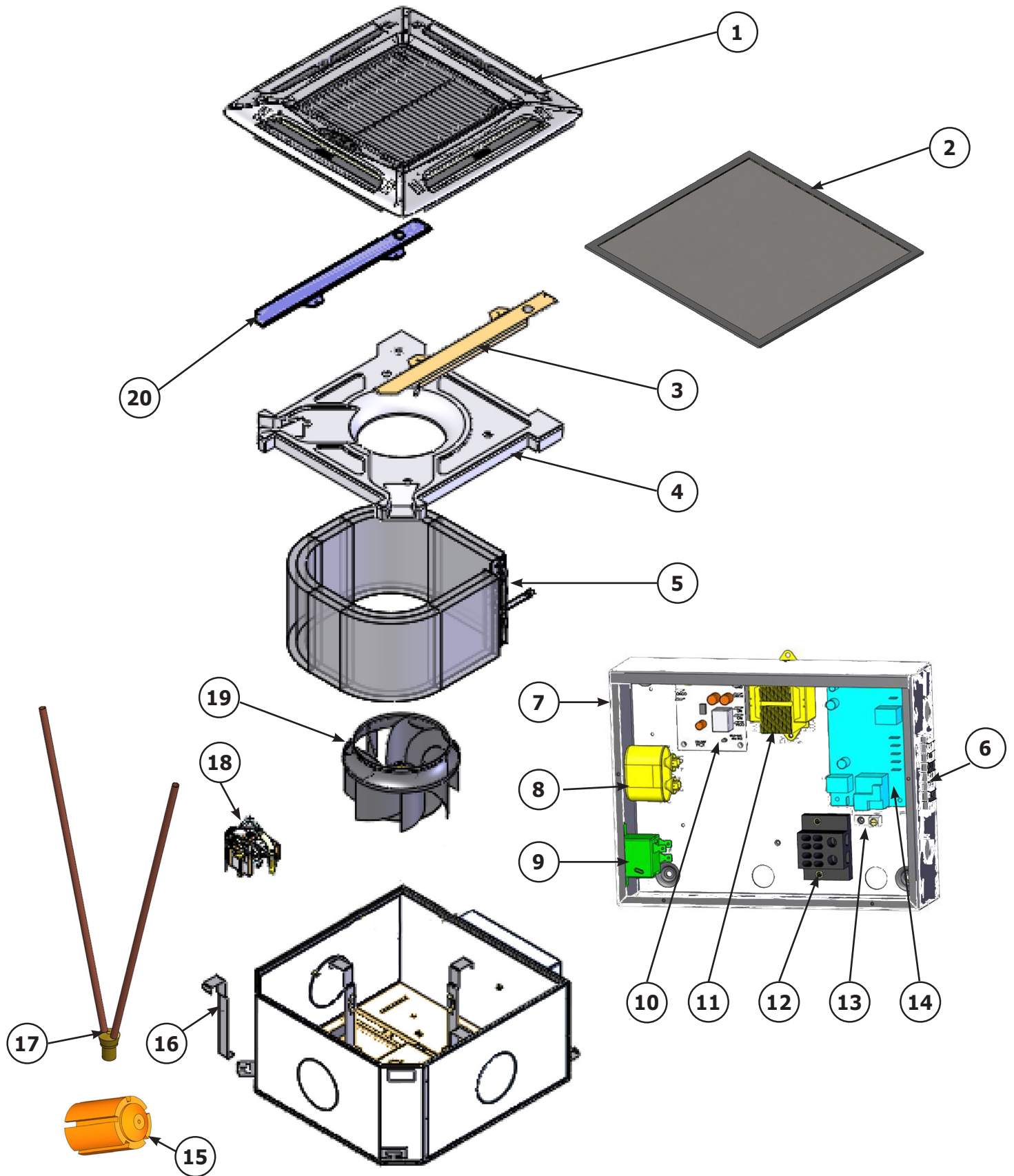
Information and specifications outlined in this manual in effect at the time of printing of this manual. ECR International, Inc. reserves the right to discontinue, change specifications or system design at any time without notice and without incurring any obligation, whatsoever.



ECR International Inc
2201 Dwyer Avenue
Utica, NY 13501
Phone: 800.325.5479
web: enviromaster.com

P/N 240010816, Rev. A [08/29/2014]

CAC/H Assembly 09/12

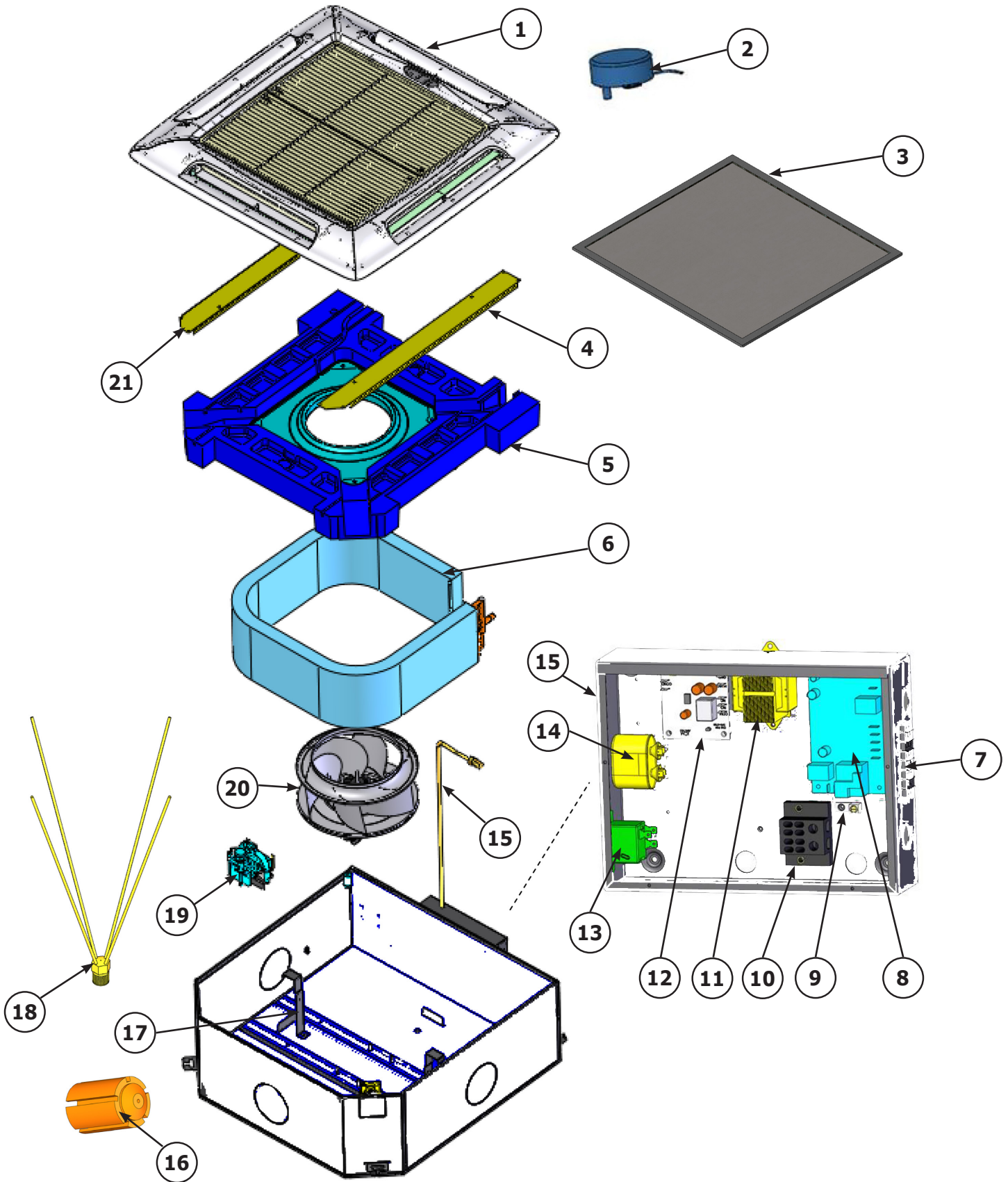


FIXED CAPACITY SERIES

CAC/H Assembly 09/12

Ref #	Description	Part Number
1	FASCIA KIT	550001969
2	FILTER	240005411
3	BRKT, SUPT, RT DRAIN PAN	109005834
4	DRAIN PAN KIT (CAH12)	550001791
5	EVAP,COIL, 410A, KIT (INCLUDES #16)	550002364
6	TERM,BLOCK,6 POSITION	240002095
7	SW,TOGGLE,2FA63-73-TABS,XAUH1	127000011
8	CAPC,370V/2, 1-1/4X2X2.18"H,OVAL	240005775
9	TSTAT,LOW TEMP LOCKOUT (SWITCH),BLOW THRU	121000005
10	CTRL,COND,ALARM,ICM,AM7703	240004709
11	TRFM,208/230V,50/60HZ,24V,40VA	240001264
12	TERM,BLOCK,POWER, 11725-2	212000014
13	TERM,BLOCK,GROUND	212000015
14	RLY,BRD,RMT,ASCT,POST PURG,AH4006	240001764
15	PISTON, .041, ORIFICE	24000727
16	BRKT,COIL,CAC09-12* (SEE KIT 550002364)	-
17	DISTR,ELIMTR,2FEED1/8"X12"L	240000500
18	PUMP,ASSY,COND,SAUERMANN,CAC/H KIT	550001499
19	ASSY,MTR,BLWR,CAC09-12,R4E280-AK53-19	240004888
20	BRKT, SUPT,LT DRAIN PAN	109005835
21	LIMIT SWITCH	240006129

CAC/H Assembly 18/24

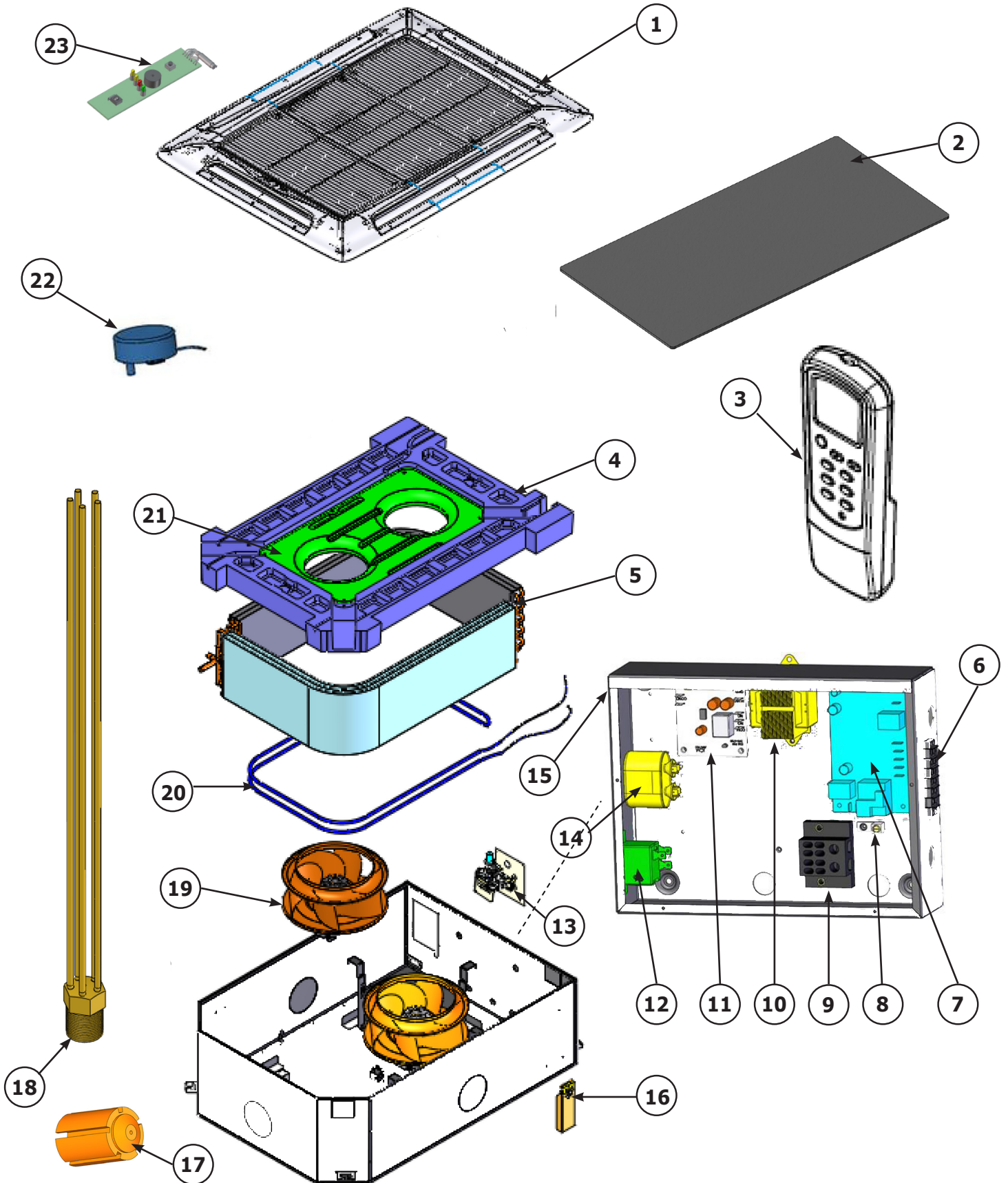


FIXED CAPACITY SERIES

CAC/H Assembly 18/24

Ref #	Description	Part Number
1	FASCIA KIT CAH-24	550001970
2	MTR,AC SYNC,230V,SP3181	102000136
3	FLTR,CAC15-36	240005412
4	BRKT,MTG,FASCIA,LWR,RT,CAC 18-36	109006001
5	DRAIN PAN KIT (CAH24)	550001792
6	EVAP,COIL,410A, KIT (INCLUDES #17)	550002343
7	TERM,BLOCK,6 POSITION	240002095
8	RLY,BRD,RMT,ASCT,POST PURG,AH4006	240001764
9	TERM,BLOCK,GROUND	212000015
10	TERM,BLOCK,POWER, 11725-2	212000014
11	TRFM,208/230V,50/60HZ,24V,40VA	240001264
12	CTRL,COND,ALARM,ICM,AM7703	240004709
13	TSTAT,LOW TEMP LOCKOUT (SWITCH),BLOW THRU	121000005
14	CAPC,370V/3, 1-1/4",OVAL,1-1/2"H	126000006
15	SW,TOGGLE,2FA63-73-TABS,XAUH1	127000011
16	PISTON, .056, ORIFICE	240007027
17	BRKT,COIL,CAC18-24* (SEE KIT 550002364)	-
18	DISTR,ELIMTR,4FEED1/8"X12"L	240002090
19	PUMP,ASSY,COND,SAUERMANN,CAC/H KIT	550001499
20	ASSY,MTR,BLWR,CAC18-24,R6E400-AE11-10	240004893
21	BRKT,MTG,FASCIA,LWR,LT	109006002
20	BRKT, SUPT,LT DRAIN PAN	109005835

CAC/H Assembly 30/36

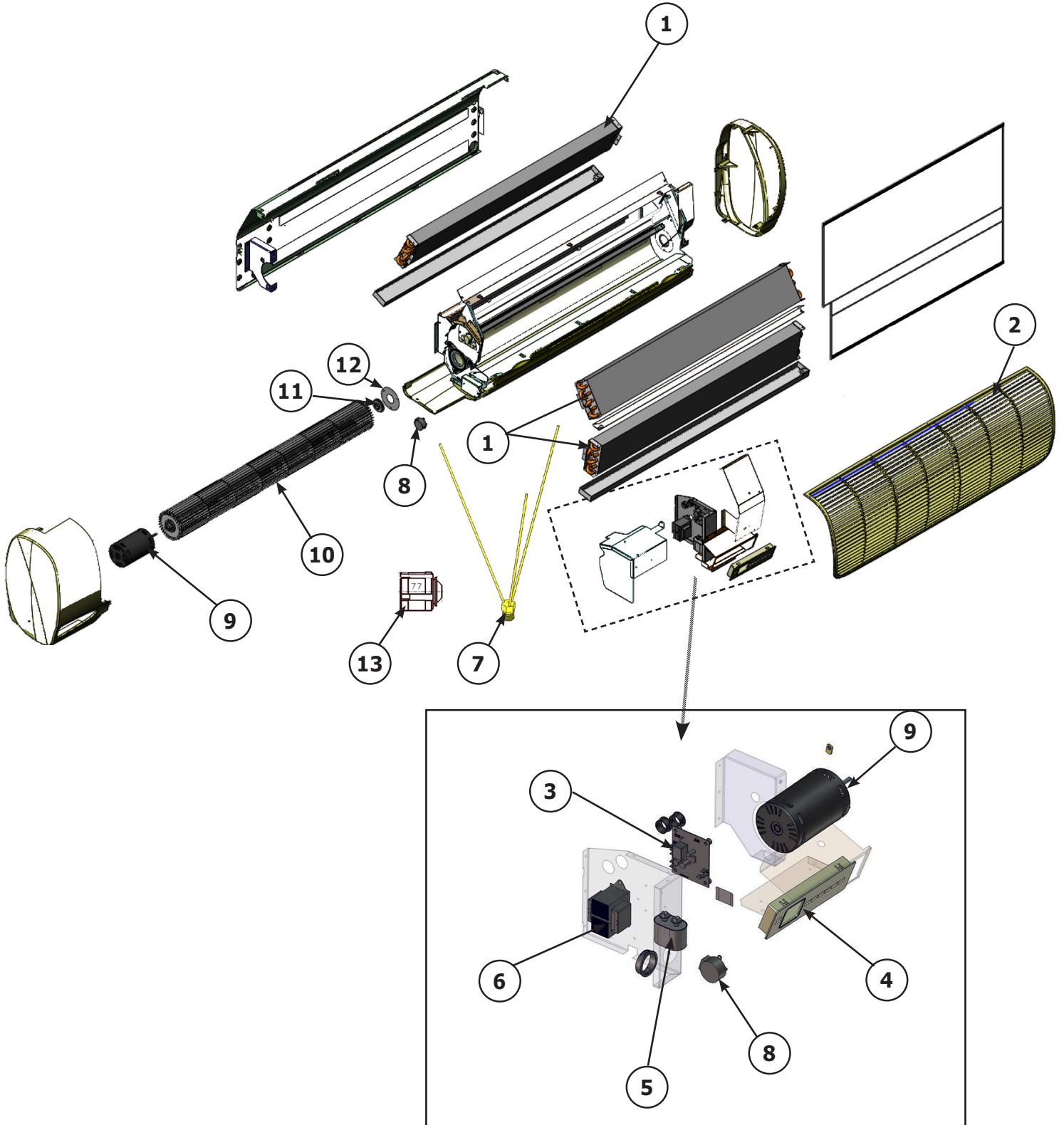


FIXED CAPACITY SERIES

CAC/H Assembly 30/36

Ref #	Description	Part Number
1	FASCIA KIT CAC36 ASSY	550001971
2	FILTER,CAC 15-36	240005412
3	CTRL,RMT,HAND HELD W/CRADLE FOR 240-6565	240006566
4	DRAIN PAN KIT CASSY AC-36	550001793
5	COIL,EVAP,RT,3EY1701D-10.00X53.00/51.50	550002830
	COIL,EVAP,LT,3EY1701D-010.00X51.00/49.50	
6	TERM,BLOCK,7 POSITION,7-140	240006736
7	RLY,BRD,RMT,ASCT,POST PURG,AH4006v	240001764
8	TERM,BLOCK,GROUND	212000015
9	TERM,BLOCK,POWER,11725-2	212000014
10	TFMR,208/230V,50/60HZ,24V,40VA	240001264
11	CTRL,COND,ALARM,ICM,AM7703	240004709
12	TSTAT,LOW TEMP LOCKOUT (SWITCH),BLOW THRU	121000005
13	PUMP, ASSY, COND,SAUERMAN, CAC/H KIT	550001499
14	CAPC,370V/2.5,1-1/4X2X1.6"H,OVAL	240002062
15	SW,TOGGLE,2FA63-73-TABS,XAUH1	127000011
16	SW,LMT,135-210°F,75TF114,STYLE 307252	240006129
17	PISTON, .070,ORIFICE	240007685
18	DISTR,ELIMTR,5FEED.1/8"X12"L	240000506
19	ASSY,MTR,BLWR,CAC30-36,R6E355-AB28-11 (2EA)	240004898
20	HTR,5KW,230V,CAC-30/36	240004918
21	ORIFICE,BLWR,CAC 30-36	108000092
22	MTR,AC SYNC,230V,SP3181	102000136
23	CTRL,ASSY,IR,CACB/CAHB,AR7808	240006565

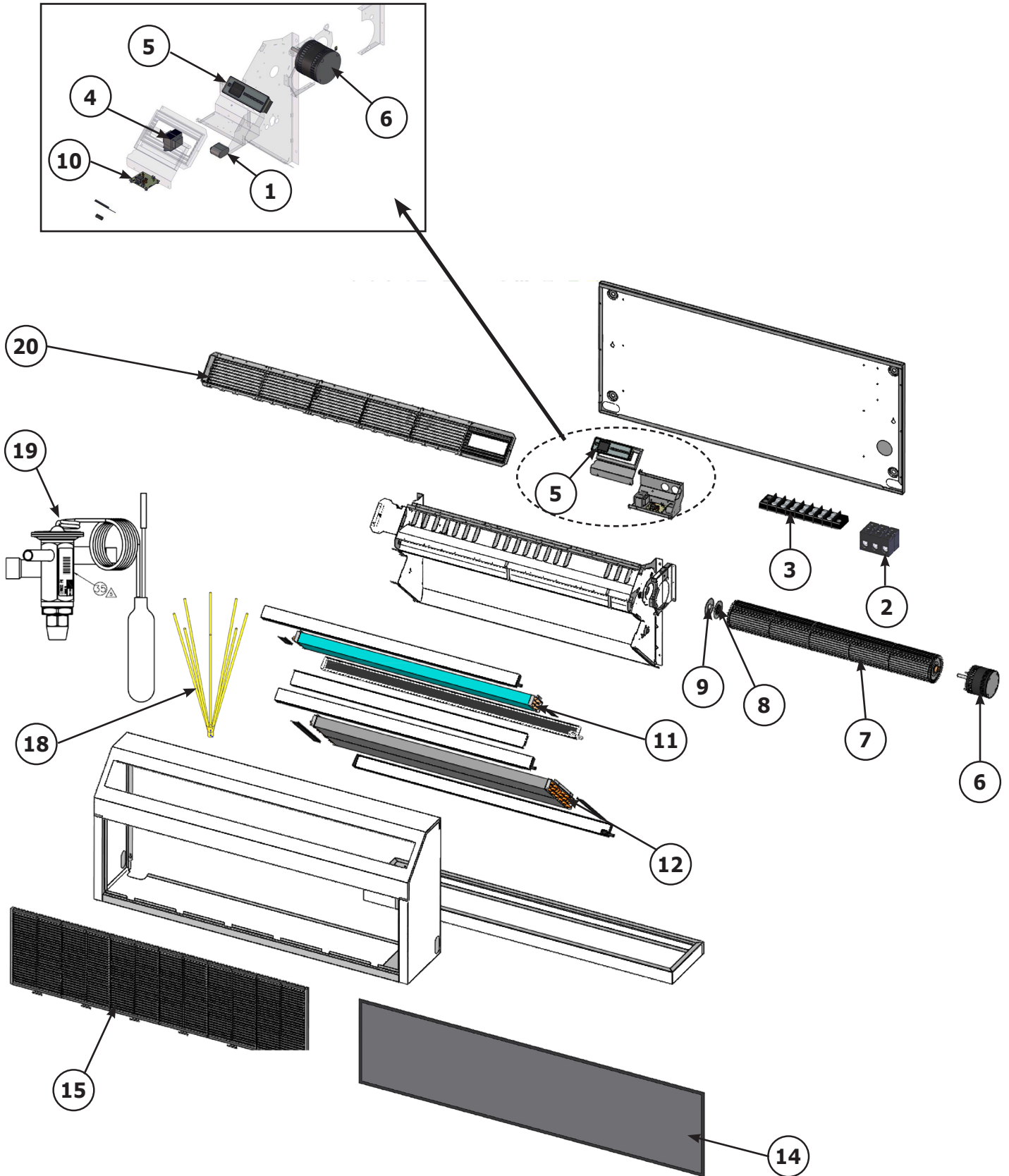
WLC/H Assembly 24



WLC/H Assembly 24

Ref #	Description	Part Number
1	COIL, EVAP,WLH 24,3EY1602D-5.00X35.50 (3EA)	550002848
2	RETURN AIR GILLE ASSEMBLY 18-24	108000176
3	CTRL,COND,ALARM,ICM,AM7703	240004709
4	CTRL, ASSY, WLC/H, NON-RAISED BZL,AN7849-4	240005588
5	CAPC,370V/3.1-1/4",OVAL,1-1/2"H	126000006
6	TFMR,208/230V,50/60HZ,24V,40VA	240001264
7	DISTR,ELIMTR,3FEED,3/16"X12"L	240008719
8	MTR,STEPPER, 35MM DIA, WLC/H	102000135
9	MTR,EVAP,208/203V.WCX/WHX 18-36	102000045
10	BLWR,WHL,PLASTIC,NO HT,WHP 15/18,SUNWILL	240004695
11	NYLON,SLV & HSG,, WLC/H,WSP,WHP 09-36	240002460
12	RTNR,SLV BRG,WHP 9-36	109004326
13	PISTON,.047,ORIFICE	240007060

UNC/G Assembly 36

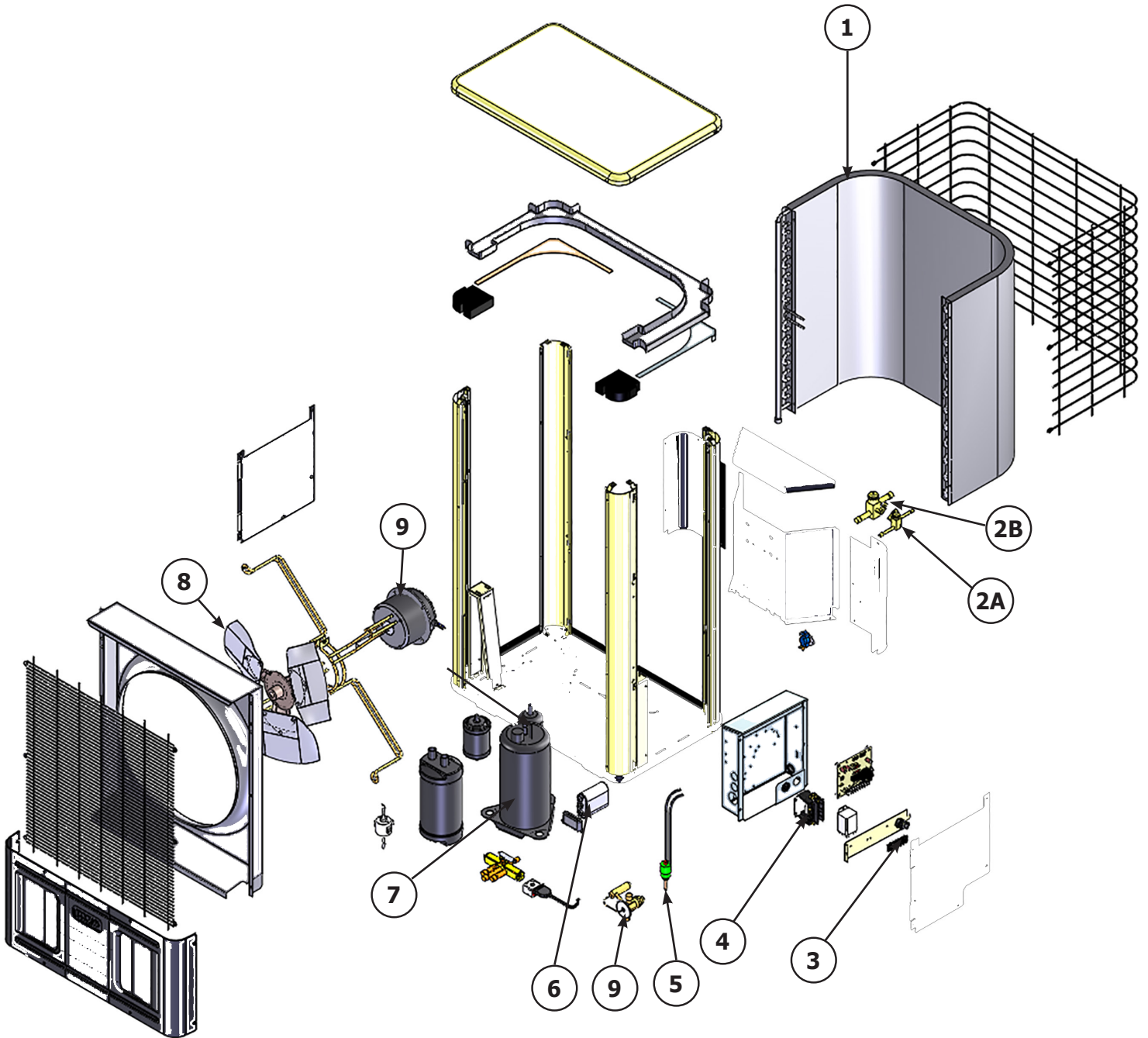


FIXED CAPACITY SERIES

UNC/G Assembly 36

Ref #	Description	Part Number
1	CAPC,370V/5,1-1/4CX2X1.6"H,OVAL,MTR	126000003
2	TERM,BLOCK,3 POSITION,600V,85A	240006739
3	TERM,BLOCK,7 POSITION,7-140	240006736
4	TFMR,208/230V,50/60HZ,24V,40VA	240001264
5	CTRL,ASSY,UNC-H,RAISED BEZEL,AN7852-1	240005585
6	MTR,EVAP,208/230V,1/10HP,YDK-090S63520-0	102000128
7	WHL,BLWR,5"X40"WKC30-36,R/K550001873	240005125
8	NYLON,SLV&HSG,WLC/,WSP,WHP 09-36	240002460
9	RTNR,SLV BRG, WHP9-36	109004326
10	CTRL,COND,ALARM,ICM,AM7703	240004709
11	COIL, EVAP, 3EY1003M-4.00X45.50,WLA-36	104000374
12	COIL,EVAP,UNC,36,3EY1003M-12.00X45.88	104000402
16	*FLTR,AIR,RET,(PLSTC GRILLE), UNC,30-36	240006787
17	*RETURN AIR GRILLE, ASSY - INCLUDES FILTER (16)	550002698
18	DISTR,REFG,8FEED,3/16"X12"L	240008333
19	VLV,THERMO EXP, HCAE5K	240007029
20	LVR,SPLY,AIR,FXD,GRA,TEX,UNCA36	240006465BS

S1C Assembly 18/36

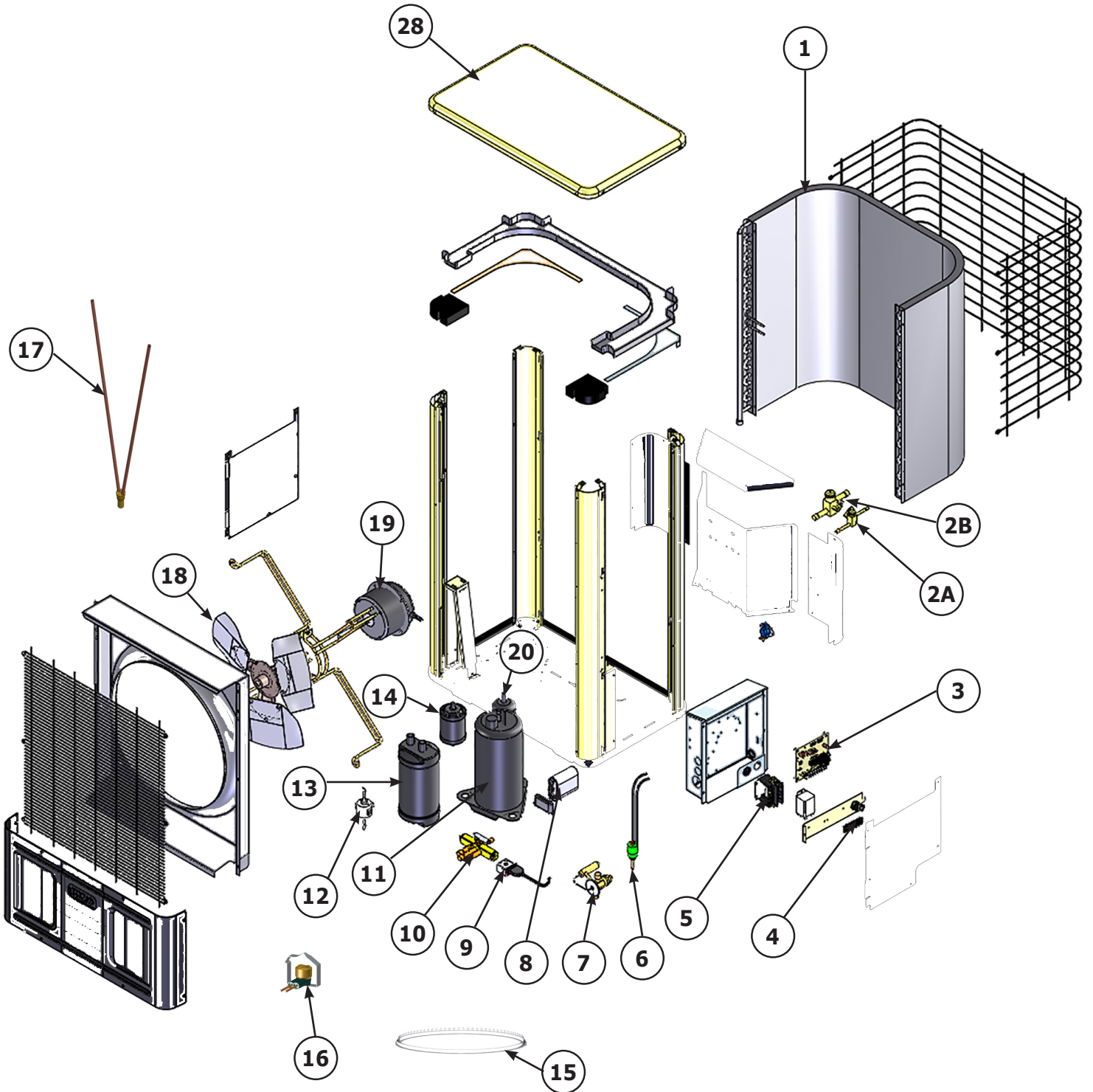


FIXED CAPACITY SERIES

S1C Assembly 18/36

Ref #	Model #	Description	Part Number
1	S1C-18	COIL,COND,S1C/HG18,3CY2001D-24X48.2	550002580
	S1C-36	COIL,COND,3CX2001D-36.00X53.36	550002340
2A	S1C-18/36	VLV,SERVICE,3/8"SWT X 3/8"SWT,90,SIDE+	240004430
2B	S1C-18	VLV,SERVICE,5/8"SWT X 5/8"SWT,90,SIDE+	240004462
	S1C-36	VLV,SERVICE,3/4"SWTX3/4"SWT,90,SIDE+	240004463
3	S1C-18/36	TERM,BLOCK,5 POSITION, 5-140	240000251
4	S1C-18/36	CONTACTOR,30A,24V,1-POLE, OPEN	240000769
5	S1C-36	SW,HP,M-RESET,700psi,PNL MNT, 29PSP002-49	240007109
6	S1C-18	CAPC,370V/30/5, 1-3/4X2.8X3.84"H,OVAL,COM	126000025
	S1C-36	CAPC,370V/45/5, 1-3/4X2.8X3.94"H,OVAL	240000496
7	S1C-18	COMPR,RCP,BRIS,H82J133ABCA	101000332
	S1C-36	COMPR,36BTU,208/230V,SCROLL,ZP31K5E-PFV	101000372
8	S1C-18	BLADE, FAN, 18", SIC/H 1/24	240004482
	S1C-36	BLADE,FAN,4P20SCW28	240008445
9	S1C-18	MTR,COND,208/230V,1100RPM,CLMSHEL,+	102000162
	S1C-36	MTR,COND,1/3HP,208/230V,1075ROM	102000138

S1H Assembly 12/24



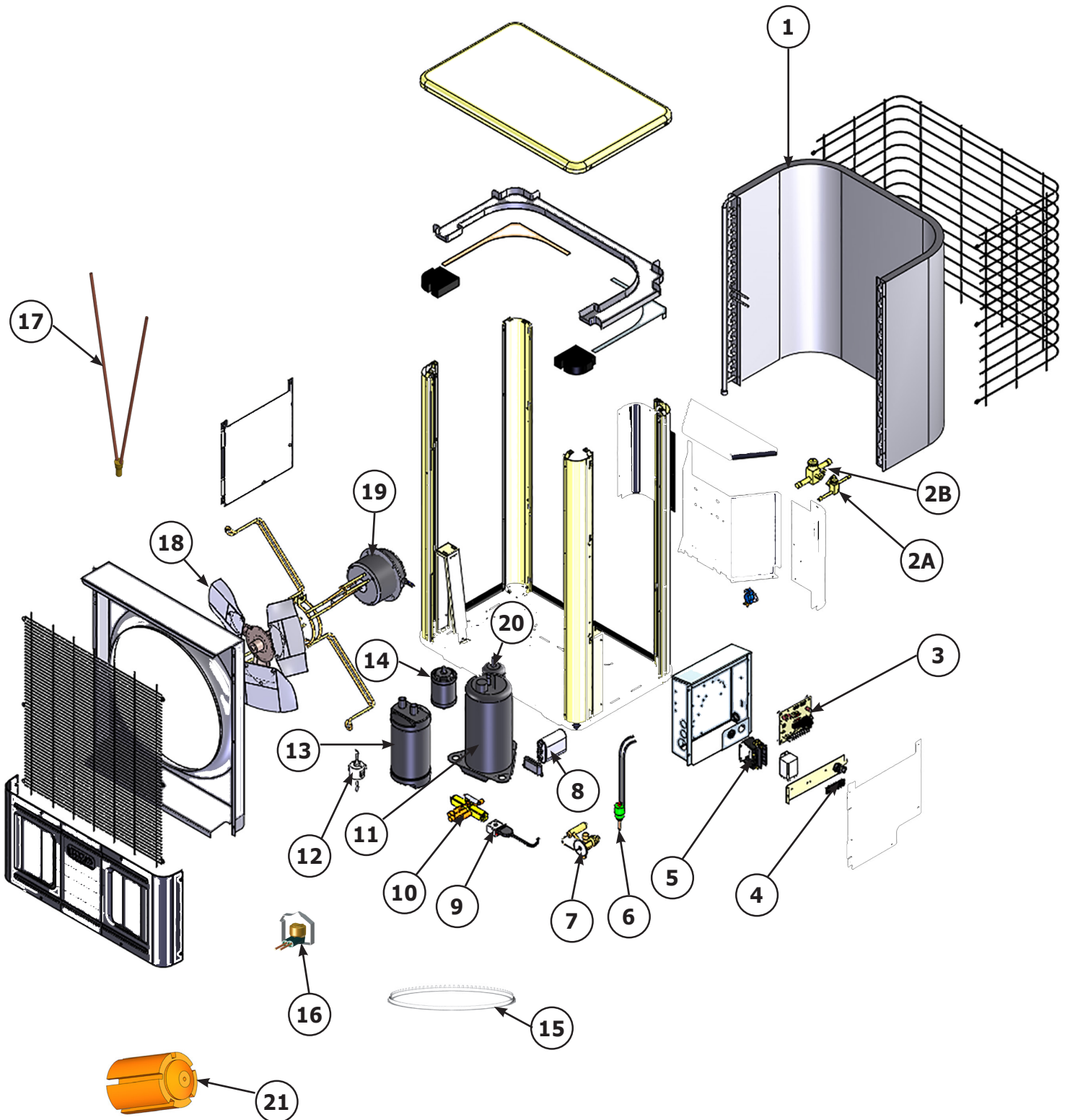
FIXED CAPACITY SERIES

S1H Assembly 12/24

2Ref #	Model #	Description	Part Number
1	S1H-24	COIL,COND,S1C/HG18,3CY2001D-24X48.2	550002344
	S1H-12	COIL,COND,SIC/HG 09/12,2CX2001E-24X40	550002324
2A	S1H-24	VLV,SERVICE,3/8"SWT X 3/8"SWT,90,SIDE+	240004430
	S1H-12	VLV,SERVICE,1/4"SWT X 1/4" SWT,90,SIDE+	240004459
2B	S1H-24	VLV,SERVICE,3/4"SWTX3/4"SWT,90,SIDE+	240004463
	S1H-12	VLV,SERVICE,1/2"SWT X 1/" SWT, 90 SIDE+	240004461
3	S1H-12	CTRL,DFRT,DFORB-AE1005	240000199
4	S1H-12/24	TERM,BLOCK,5 POSITION, 5-140	240000251
5	S1H-12/24	CONTACTOR,30A,24V,1-POLE, OPEN	240000769
6	S1H-12/24	SW,HP,M-RESET,700psi,PNL MNT, 29PSP002-49	240007109
7	S1H-12	VLV,THERMO EXP,HCAE1.5K	240007730
	S1H-24	VLV,THERMO EXP,HCAE3K	240007028
8	S1H-12/24	CAPC,370V/35/5, 1-3/4",OVAL,3-7/8"H	126000026
9	S1H-12/24	VLV,RVSG,SOL,24V,LDK,RED	240004640
10	S1H-12	VLV,RVSG,9-15 BTU	240004659
	S1H-24	VLV,RVSG,18-30BTU	240004661
11	S1H-12	COMPR,12BTU,TOSH,208/230V,R/K 550002567	101000322
	S1H-24	COMPR,24BTU,RCP,BRIS,H82J193ABCA	101000327
12	S1H-12/24	CAPC,START ASSIST,1-7/8Hx1-1/2W,305C12	240000364
13	S1H-12/24	ACUM,SUCT,5/8", 60OZ, 09-18K	136000001
14	S1H-12	DRIER,FLTR,BI-FLOW, 1/4 O.D.CONNECTION	240004085
15	S1H-12	CCH,RTY240V,4-15BTU,COMPR,25W/240V	240001773
16	S1H-12	SW,CCH,OPEN 65°F,CLOSE 55°F,37TJ31,35112	240006873
		TSTAT,DFST,CL@29°,OP@60°,3NT01L-D4636	240004145
17	S1H-12	DISTR,REFG,2FEED,1/8" X 30"L	240007910
18	S1H-12	BLADE,FAN,16",SIC09-12,C2/CH 9-15	240004481
	S1H-24	BLADE, FAN, 18", SIC/H 1/24	240004482
19	S1H-12/24	MTR,COND,208/230V,1100RPM,CLMSHEL	102000162
20	S1H-12	OVLD,COMPR,TOSH,PA108,FOR 101-322 &409	101000329
	S1H-12	GSKT,COMPR TERM PKG, TOSH, PA82/108	240007432

S2H Assembly 12

Image for reference only.



FIXED CAPACITY SERIES

S2H Assembly 12

Ref #	Model #	Description	Part Number
1	S2H-12	COIL,COND,SIC/HG 09/12,2CX2001E-24X40	104000429
2A	S2H-12	VLV,SERVICE,1/4"SWT X 1/4" SWT,90,SIDE+	240004459
2B	S2H-12	VLV,SERVICE,1/2"SWT X 1/" SWT, 90 SIDE+	240004461
3	S2H-12	CTRL,DFRT,DFORB-AE1005	240007586
4	S2H-12	TERM,BLOCK,5 POSITION, 5-140	240000251
5	S2H-12	CONTACTOR,30A,24V,1-POLE, OPEN	117000001
6	S2H-12	SW,HP,M-RESET,700psi,PNL MNT, 29PSP002-49	240007109
7	S2H-12	VLV,THERMO EXP,HCAE1.5K	240007730
8	S2H-12	CAPC,370V/35/5, 1-3/4",OVAL,3-7/8"H	126000017
	S2H-12	CAPC,370V/5,1-1/4X2X1.6"H OVAL,MTR	126000003
9	S2H-12	VLV,RVSG,SOL,24V,LDK,RED	240004640
10	S2H-12	VLV,RVSG,9-15 BTU	240004659
11	S2H-12	COMPR,12BTU,TOSH,208/230V,R/K 550002567	101000322
12	S2H-12	CAPC,START ASSIST,1-7/8Hx1-1/2W,305C12	240000364
13	S2H-12	ACUM,SUCT,5/8", 60OZ, 09-18K	136000001
14	S2H-12	DRIER,FLTR,BI-FLOW, 1/4 O.D.CONNECTION	240004085
15	S2H-12	CCH,RTY240V,4-15BTU,COMPR,25W/240V	240001773
16	S2H-12	SW,CCH,OPEN 65°F,CLOSE 55°F,37TJ31,35112	240006873
		TSTAT,DFST,CL@29°,OP@60°,3NT01L-D4636	240004145
17	S2H-12	DISTR,REFG,2FEED,1/8" X 30"L	240007910
18	S2H-12	BLADE, FAN, 18", SIC/H 1/24	240004482
19	S2H-12	MTR,COND,208/230V,1100RPM,CLMSHEL	102000162
20	S2H-12	OVLD,COMPR,TOSH,PA108,FOR 101-322 &409	101000329
	S2H-12	GSKT,COMPR TERM PKG, TOSH, PA82/108	240007432
21	S2H-12	PISTON,.044, ORIFICE	240004064
NOT SHOWN	S2H-12	GSKT,O-RING,CHATLIFF ASSY	240004693
NOT SHOWN	S2H-12	SENSOR,COIL,MULTIZONE HP, 11J1H0057	240007585
NOT SHOWN	S2H-12	TFMR,208/20V,50/60HZ,24V,40VA	240001264

EMI  ***Ductless***
Comfort Where It Counts.

2201 Dwyer Avenue,

Utica NY 13501

1-800-228-9364

fax 1-800-232-9364

website: www.enviromaster.com