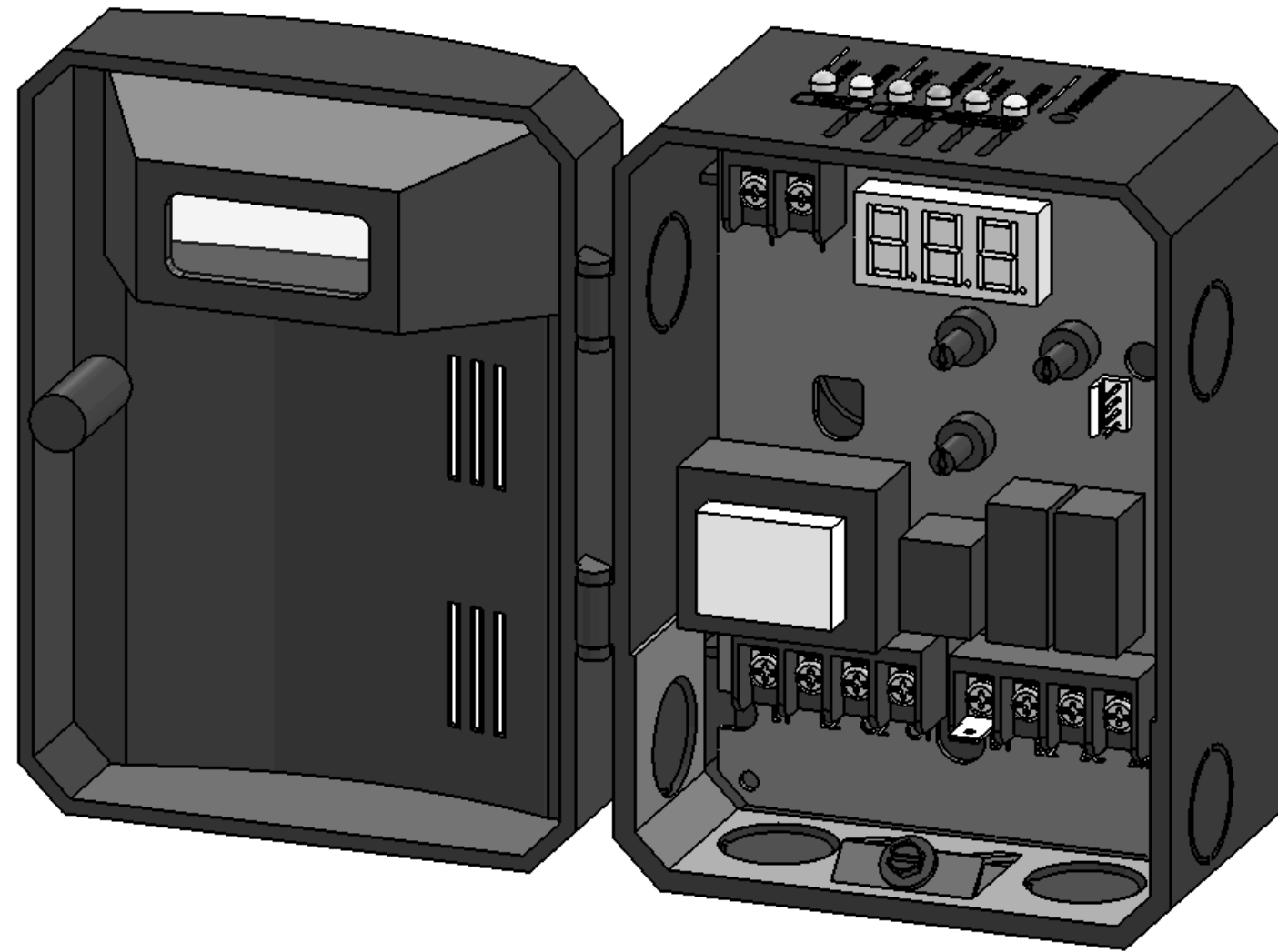


REVISIONS				
REV.	DATE	CN	DESCRIPTION	Chg. By
A	10/30/2014	140327	RELEASE TO PRODUCTION.	JAM



Vendor: Hydrolevel Company


Model: Hydrostat 3250-PLUS

Hi-Limit / Lo-Limit & LWCO Control with 12" Long Sensor Lead Wire (48-3150-60).

Vendor P/N (Control and sensor) 48-3259E

1. Suffix "E" indicates Left-Side Well Mounting
2. Control to be bulk-packed with sensor wire attached (not shown)
3. Vendor to supply "Installation Instructions and Operating Manual" (12 pg.) with each control order.
4. Control to be used with Hydrostat Well (LIKE 48-202) - ECR P/N 240009115 (OR EQUIVALENT)
5. Control to be certified by a 'Nationally Recognized' agency (UL/CSA/ETL /etc.) US. LWCO to comply with ANSI/UL-353 (US).

THIS DOCUMENT AND ITS CONTENTS CONSTITUTE PROPRIETARY TRADE SECRETS OF ECR INTERNATIONAL, INC. AND MAY NOT BE REPRODUCED, DISTRIBUTED OR USED IN ANY MANNER WITHOUT THE EXPRESS WRITTEN CONSENT OF AN AUTHORIZED REPRESENTATIVE OF ECR INTERNATIONAL, INC.

TITLE CTRL,TEMP LMT/LWCO,W/SNSR,HL3 250+		 ECR INTERNATIONAL Inc. 2201 Dwyer Avenue, Utica, NY 13501 PHONE:(315)797-1310 - FAX(315)797-5372 www.ecrinternational.com		
REFERENCE ASME Y14.5M-1994 FOR GEOMETRIC DIMENSIONING. ALL DIMENSIONS IN INCHES. DRAWING NOT TO BE SCALED. NON-BASIC DIMENSIONAL AND ANGULAR TOLERANCES UNLESS OTHERWISE NOTED: DECIMALS: X.X - ±0.1 X.XX - ±0.03 X.XXX - ±0.005 FRACTIONAL: ±1/32 ANGULAR: MACHINED - ±1° ANGULAR: FORMED - ±2°	SCALE	3:4	DATE	10/29/2014
	DRAWN BY	JAM	CHKD	FS
	APPD	JK	SHEET	1 of 1
	MAT'L		REV	A
SIZE	DWG NO.		240010867	
B				