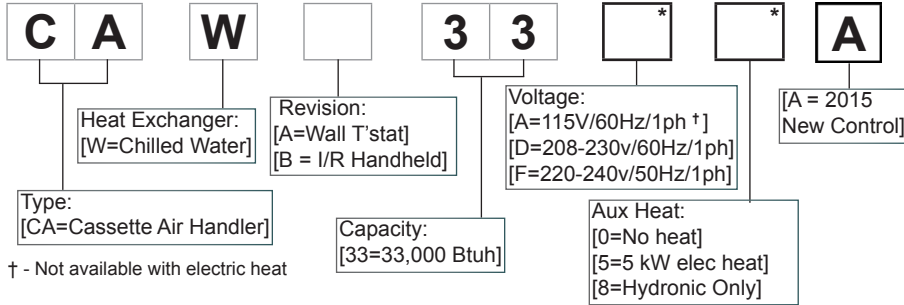


33,000 Btuh Hydronic Fan Coil Ceiling Cassette Air Handler

Indoor Air Handler Model:



† - Not available with electric heat

Order Quantity of Air Handler

33,000 Btuh Hydronic Fan Coil Ceiling Cassette Air Handler

* Select Voltage and Aux Heat option
No derate for 50Hz or 115v

Please indicate desired quantity of optional accessories for each air handler (max allowed)

24VAC Wired Thermostat, Single-Stage, 1-Heat/1-Cool, Manual Changeover, #240008208 (1)	5 1/4" Ø Discharge Air Duct Collar Kit, 2pcs, #240009786 (1 kit, any 2 non-adjacent sides)
24VAC Wired Thermostat, Single-Stage, 1-Heat/1-Cool, Auto Changeover, #240008210 (1)	3" Ø Fresh Air Duct Collar Kit, 3 pcs, #240003416 (1 kit)
OEM Hand-Held Infrared Remote Control (#240006566) (1, For all CAWB air handlers)	Condensate Pump, 144" lift, External Floor Mount, 208/230v-#240003106 / 115v-#240003107 (Unit comes w/ 30" lift pump) (1)

NOTE: Every air handler requires either a 24VAC Wall Thermostat or Hand-Held Infrared Remote

Electrical Specifications

Model #	Volts/Ph/Hz	Fan Motors		Elec Heat		Total Amps	Min Volt.	MCA	HACR BRKR
		Amps	HP	Amps	kW				
CAW_33D0	208-230/1/60	0.5,0.5	1/10,1/10	-	-	1.0	197	1.2	15
CAW_33F0	220-240/1/50	0.5,0.5	1/10,1/10	-	-	1.0	198	1.3	15
CAW_33A0	115/1/60	1.0,1.0	1/10,1/10	-	-	2.0	104	2.3	15
CAW_33D3	208-230/1/60	0.5,0.5	1/10,1/10	21.74	5.0	22.7	197	28.3	30
CAW_33F3	220-240/1/50	0.5,0.5	1/10,1/10	22.7	5.4	23.7	198	29.6	30

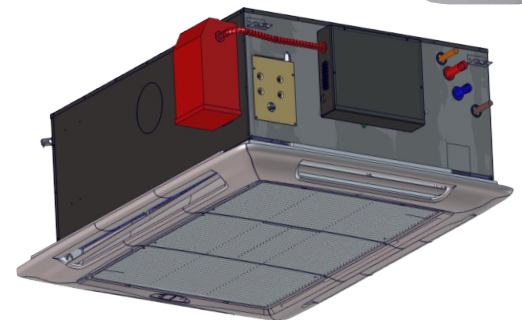


Miscellaneous Technical Data

Indoor Fan Details	High	Low	Vertical Clearance	** 16 5/8" (0.36m) min
Discharge Air Volume [CMF (L/S)]	950 (448)	750 (354)	Ceiling Opening	33 3/8" x 46" (860 x 1168 mm)
			Gross Weight	146 lbs (66.4 kg)
Indoor Sound Levels [dBA]	51	49	Washable Air Filter	3, Mesh, Metal Frame
Supply Water Inlet	*7/8" Ø			80% Arrestance
Return Water Outlet	*7/8" Ø		Condensate Pump Details	
Brand Air Duct Collar	3" Ø		Lift	Nominal Flow Rate
Fresh Air Duct Collar	5" Ø		30" Max Head	0.1 GPM

* Refrigerant Piping Outside Diameter

** Measured from interior face of drop-ceiling

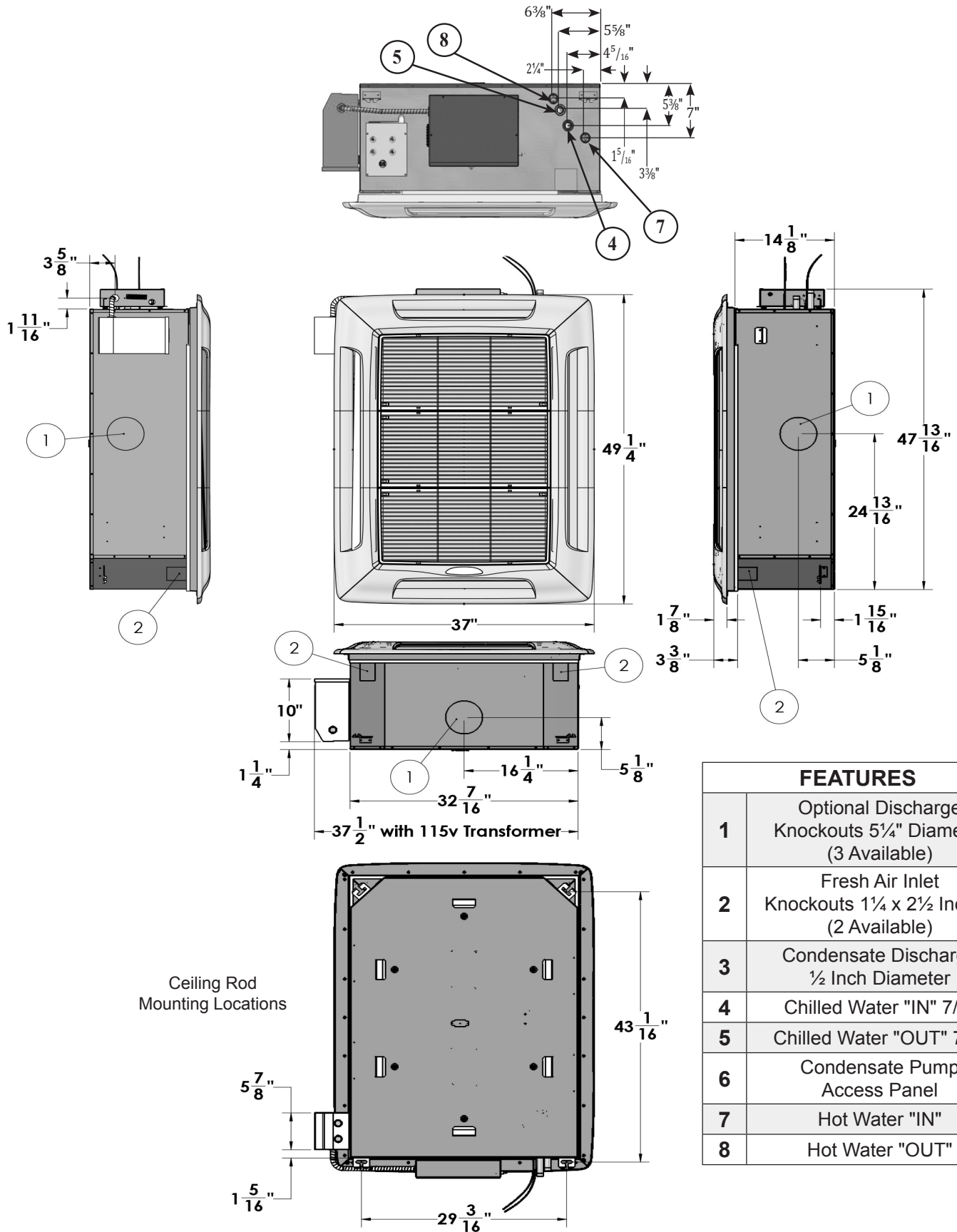


To: _____
 Date: _____
 From: _____
 Contact: _____

Project: _____
 Customer: _____
 Location: _____
 Engineer: _____
 Unit Tag# _____

For Your: Reference Approval Construction

33,000 Btuh Hydronic Fan Coil Ceiling Cassette Air Handler



FEATURES	
1	Optional Discharge Knockouts 5 1/4" Diameter (3 Available)
2	Fresh Air Inlet Knockouts 1 1/4 x 2 1/2 Inches (2 Available)
3	Condensate Discharge 1/2 Inch Diameter
4	Chilled Water "IN" 7/8"
5	Chilled Water "OUT" 7/8"
6	Condensate Pump Access Panel
7	Hot Water "IN"
8	Hot Water "OUT"

NOTICE: Due to ongoing product development; design, specification and performance data listed within this submittal document are subject to change without notice. For the most current unit/system performance data, please refer to the product literature on our website, www.enviromaster.com, or consult the factory.

CAW_33 Ceiling Cassette Air Handler Performance Data Tables

Entering Water Temp	CFM	80° F DB / 67° F WB							
	Low	Total Capacity (Btuh)	Sensible Capacity (Btuh)	Water Flow Rate (GPM)	Pressure Drop (Ft)	Leaving Air Temp		Leaving Water Temp (°F)	ΔT (°F)
	High					DB °F	WB °F		
40°F	750	48,400	29,600	16.1	22.9	44.2	44.1	46.0	6.0
	950	59,800	36,800	19.9	34.1	44.9	44.8	46.0	6.0
	750	45,000	28,000	11.2	11.7	46.1	46	48.0	8.0
	950	56,000	35,000	14.0	17.6	46.6	46.5	48.0	8.0
	750	38,400	25,000	7.7	5.7	49.7	49.7	50.0	10.0
	950	50,300	32,400	10.0	9.5	49.1	49	50.0	10.0
	750	32,000	22,300	5.3	2.7	53.1	53	52.0	12.0
	950	41,400	28,500	6.9	4.7	52.8	52.7	52.0	12.0
	750	27,300	20,300	3.9	1.4	55.5	55.3	54.0	14.0
	950	34,200	25,500	4.9	2.3	55.7	55.5	54.0	14.0
41°F	750	46,600	28,800	15.5	21.3	45.3	45.2	47.0	6.0
	950	57,600	35,700	19.1	31.6	45.9	45.8	47.0	6.0
	750	43,000	27,100	10.7	10.7	47.3	47.2	49.0	8.0
	950	53,700	33,900	13.4	16.2	47.6	47.5	49.0	8.0
	750	36,400	24,200	7.3	5.2	50.8	50.8	51.0	10.0
	950	47,400	31,200	9.5	8.5	50.3	50.2	51.0	10.0
	750	29,900	21,500	5.0	2.4	54.1	54.1	53.0	12.0
	950	38,200	27,200	6.3	4.0	54.1	54	53.0	12.0
	750	25,400	19,600	3.6	1.2	56.4	56.2	55.0	14.0
	950	31,900	24,600	4.6	1.9	56.5	56.3	55.0	14.0
42°F	750	44,800	27,900	14.9	19.7	46.3	46.2	48.0	6.0
	950	55,300	34,700	18.4	29.4	46.9	46.8	48.0	6.0
	750	40,900	26,100	10.2	9.7	48.4	48.4	50.0	8.0
	950	51,300	32,800	12.8	14.8	48.7	48.6	50.0	8.0
	750	34,000	23,100	6.8	4.5	52.1	52	52.0	10.0
	950	45,000	30,100	9.0	7.6	51.3	51.2	52.0	10.0
	750	28,800	20,900	4.8	2.2	54.7	54.6	54.0	12.0
	950	35,900	26,300	6.0	3.6	55	54.8	54.0	12.0
	750	24,500	19,100	3.5	1.1	56.9	56.7	56.0	14.0
	950	30,600	24,000	4.4	1.8	57.1	56.8	56.0	14.0
43°F	750	42,900	27,000	14.3	18.2	47.3	47.2	49.0	6.0
	950	53,000	33,600	17.6	27.0	47.9	47.8	49.0	6.0
	750	38,700	25,200	9.7	8.8	49.6	49.5	51.0	8.0
	950	48,800	31,700	12.2	13.5	49.7	49.7	51.0	8.0
	750	32,100	22,300	6.4	4.1	53	53	53.0	10.0
	950	42,000	28,900	8.4	6.7	52.5	52.4	53.0	10.0
	750	27,000	20,200	4.5	1.9	55.6	55.5	55.0	12.0
	950	33,800	25,400	5.6	3.1	55.8	55.6	55.0	12.0
	750	20,900	17,600	3.0	0.8	58.8	58.3	57.0	14.0
	950	28,500	23,100	4.1	1.5	58	57.6	57.0	14.0

NOTICE: Due to ongoing product development; design, specification and performance data listed within this submittal document are subject to change without notice. For the most current unit/system performance data, please refer to the product literature on our website, www.enviromaster.com, or consult the factory.

CAW_33 Ceiling Cassette Air Handler Performance Data Tables - Continued

Entering Water Temp	80° F DB / 67° F WB - Continued								
	CFM	Total Capacity (Btuh)	Sensible Capacity (Btuh)	Water Flow Rate (GPM)	Pressure Drop (Ft)	Leaving Air Temp		Leaving Water Temp (°F)	ΔT (°F)
	Low High					DB °F	WB °F		
44°F	750	41,000	26,200	13.6	16.7	48.4	48.3	50.0	6.0
	950	50,700	32,600	16.9	24.9	48.9	48.8	50.0	6.0
	750	36,500	24,200	9.1	7.8	50.8	50.7	52.0	8.0
	950	46,300	30,700	11.5	12.2	50.8	50.7	52.0	8.0
	750	29,500	21,300	5.9	3.5	54.3	54.3	54.0	10.0
	950	39,700	27,900	7.9	6.0	53.4	53.4	54.0	10.0
	750	25,100	19,500	4.2	1.6	56.5	56.3	56.0	12.0
	950	31,500	24,500	5.2	2.7	56.6	56.5	56.0	12.0
	750	19,700	17,300	2.8	0.7	59.1	58.8	58.0	14.0
	950	26,600	22,300	3.8	1.3	58.7	58.3	58.0	14.0
45°F	750	39,100	25,300	13.0	15.2	49.4	49.4	51.0	6.0
	950	48,300	31,500	16.1	22.6	49.9	49.8	51.0	6.0
	750	34,500	23,300	8.6	7.0	51.8	51.8	53.0	8.0
	950	44,000	29,700	11.0	11.1	51.7	51.7	53.0	8.0
	750	28,200	20,700	5.6	3.1	55	54.9	55.0	10.0
	950	36,800	26,700	7.3	5.2	54.5	54.5	55.0	10.0
	750	24,200	19,000	4.0	1.5	57	56.8	57.0	12.0
	950	30,100	23,900	5.0	2.4	57.2	57	57.0	12.0
	750	18,700	16,700	2.7	0.6	59.8	59.3	59.0	14.0
	950	24,700	21,700	3.5	1.1	59.3	58.9	59.0	14.0
50°F	750	27,200	20,200	9.1	7.7	55.6	55.4	56.0	6.0
	950	33,700	25,200	11.2	11.5	56	55.7	56.0	6.0
	750	21,800	17,900	5.4	3.0	58.3	57.9	58.0	8.0
	950	28,200	22,900	7.0	4.8	58.2	57.7	58.0	8.0
	750	18,000	16,300	3.6	1.2	60.3	59.6	60.0	10.0
	950	22,300	20,300	4.5	1.9	60.7	59.8	60.0	10.0
	750	14,400	14,100	2.4	0.5	63	61.1	62.0	12.0
	950	18,400	17,700	3.1	0.8	63.1	61.1	62.0	12.0
	750	13,100	12,800	1.9	0.4	64.5	61.7	64.0	14.0
	950	15,100	14,900	2.2	0.5	65.7	62.2	64.0	14.0

Propylene Glycol Solution Corrections (40°F EWT)				
Propylene Glycol %	Capacity Factor	Freezing Point (°F)	Tubeside Pressure Increase = 100% Capacity Factor	GPM Adjustment = 100% Capacity Factor
10%	0.89	26	1.2	1.6
20%	0.79	18	1.6	2.8
30%	0.66	7	2.4	6.2
40%	0.62	-8	3.5	12.9
50%	0.59	-29	4.8	24.3

NOTICE: Due to ongoing product development; design, specification and performance data listed within this submittal document are subject to change without notice. For the most current unit/system performance data, please refer to the product literature on our website, www.enviromaster.com, or consult the factory.

CAW_33 Ceiling Cassette Air Handler Performance Data Tables

Entering Water Temp	CFM	75° F DB / 62.55° F WB							
	Low	Total Capacity (Btuh)	Sensible Capacity (Btuh)	Water Flow Rate (GPM)	Pressure Drop (Ft)	Leaving Air Temp		Leaving Water Temp (°F)	ΔT (°F)
	High					DB °F	WB °F		
40°F	750	36,600	25,200	12.1	13.6	44.5	44.4	46.0	6.0
	950	45,400	31,400	15.1	20.3	44.9	44.8	46.0	6.0
	750	31,500	22,800	7.8	6.0	47.4	47.3	48.0	8.0
	950	40,500	29,100	10.1	9.6	47.2	47	48.0	8.0
	750	26,300	20,400	5.2	2.6	50.3	50.1	50.0	10.0
	950	33,300	25,800	6.6	4.4	50.3	50.1	50.0	10.0
	750	22,300	18,700	3.7	1.2	52.4	52.2	52.0	12.0
	950	27,900	23,400	4.6	2.0	52.6	52.3	52.0	12.0
	750	18,400	16,600	2.6	0.7	54.8	54.1	54.0	14.0
	950	21,300	20,000	3.0	0.8	55.8	54.9	54.0	14.0
41°F	750	34,700	24,300	11.5	12.3	45.6	45.5	47.0	6.0
	950	43,100	30,300	14.3	18.4	46	45.9	47.0	6.0
	750	29,500	21,800	7.3	5.3	48.5	48.4	49.0	8.0
	950	38,200	28,100	9.5	8.6	48.1	48	49.0	8.0
	750	25,200	19,900	5.0	2.4	50.9	50.7	51.0	10.0
	950	31,400	25,000	6.3	3.9	51.1	50.9	51.0	10.0
	750	20,700	17,900	3.4	1.0	53.3	53.1	53.0	12.0
	950	26,200	22,500	4.3	1.8	53.4	53.1	53.0	12.0
	750	17,500	16,300	2.5	0.6	55.3	54.6	55.0	14.0
	950	20,200	19,200	2.9	0.7	56.6	55.4	55.0	14.0
42°F	750	32,800	23,400	10.9	11.1	46.6	46.5	48.0	6.0
	950	40,900	29,300	13.6	16.7	47	46.8	48.0	6.0
	750	27,800	21,100	6.9	4.7	49.4	49.3	50.0	8.0
	950	35,800	27,000	8.9	7.6	49.2	49.1	50.0	8.0
	750	23,600	19,200	4.7	2.1	51.7	51.5	52.0	10.0
	950	29,400	24,100	5.9	3.4	52	51.7	52.0	10.0
	750	19,500	17,400	3.2	0.9	53.9	53.6	54.0	12.0
	950	24,400	21,900	4.1	1.5	54.1	53.7	54.0	12.0
	750	16,600	15,600	2.4	0.6	56.1	55.1	56.0	14.0
	950	19,300	18,500	2.8	0.7	57.3	55.7	56.0	14.0
43°F	750	30,900	22,500	10.3	9.8	47.7	47.6	49.0	6.0
	950	38,700	28,300	12.9	15.0	47.9	47.8	49.0	6.0
	750	25,900	20,200	6.5	4.1	50.5	50.3	51.0	8.0
	950	33,800	26,100	8.4	6.8	50	49.9	51.0	8.0
	750	22,000	18,500	4.4	1.8	52.5	52.4	53.0	10.0
	950	27,400	23,200	5.5	2.9	52.8	52.6	53.0	10.0
	750	17,400	16,300	2.9	0.7	55.3	54.7	55.0	12.0
	950	23,000	21,000	3.8	1.3	54.9	54.3	55.0	12.0
	750	15,800	15,000	2.3	0.5	56.8	55.4	57.0	14.0
	950	18,200	17,800	2.6	0.6	57.9	56.1	57.0	14.0

NOTICE: Due to ongoing product development; design, specification and performance data listed within this submittal document are subject to change without notice. For the most current unit/system performance data, please refer to the product literature on our website, www.enviromaster.com, or consult the factory.

CAW_33 Ceiling Cassette Air Handler Performance Data Tables - Continued

Entering Water Temp	CFM	75° F DB / 62.55° F WB - Continued							
	Low	Total Capacity (Btuh)	Sensible Capacity (Btuh)	Water Flow Rate (GPM)	Pressure Drop (Ft)	Leaving Air Temp		Leaving Water Temp (°F)	ΔT (°F)
	High					DB °F	WB °F		
44°F	750	29,100	21,700	9.7	8.8	48.7	48.7	50.0	6.0
	950	36,500	27,300	12.1	13.5	48.8	48.8	50.0	6.0
	750	24,500	19,600	6.1	3.7	51.2	51.1	52.0	8.0
	950	31,500	25,000	7.9	6.0	51	50.9	52.0	8.0
	750	20,300	17,800	4.1	1.5	53.5	53.2	54.0	10.0
	950	25,600	22,400	5.1	2.5	53.6	53.2	54.0	10.0
	750	16,400	15,600	2.7	0.7	56.1	55.1	56.0	12.0
	950	21,400	20,200	3.6	1.1	55.7	54.9	56.0	12.0
	750	15,000	14,600	2.1	0.5	57.4	55.8	58.0	14.0
	950	17,200	17,000	2.5	0.6	58.7	56.5	58.0	14.0
45°F	750	27,200	20,800	9.0	7.8	49.7	49.7	51.0	6.0
	950	34,300	26,300	11.4	12.0	49.8	49.7	51.0	6.0
	750	22,900	18,900	5.7	3.2	52.1	51.9	53.0	8.0
	950	29,700	24,200	7.4	5.3	51.8	51.6	53.0	8.0
	750	19,200	17,300	3.8	1.3	54	53.8	55.0	10.0
	950	23,900	21,700	4.8	2.2	54.2	53.9	55.0	10.0
	750	15,600	15,000	2.6	0.6	56.8	55.5	57.0	12.0
	950	20,000	19,100	3.3	1.0	56.7	55.4	57.0	12.0
	750	14,100	13,900	2.0	0.4	58.2	56.2	59.0	14.0
	950	16,400	16,100	2.3	0.5	59.6	56.8	59.0	14.0
50°F	750	19,000	17,200	6.3	3.9	54.1	53.9	56.0	6.0
	950	24,200	21,900	8.1	6.2	54	53.8	56.0	6.0
	750	16,200	15,700	4.1	1.5	56	55.2	58.0	8.0
	950	20,200	19,600	5.1	2.5	56.2	55.3	58.0	8.0
	750	12,800	12,800	2.6	0.6	59.5	56.8	60.0	10.0
	950	16,700	16,700	3.3	1.0	59	56.7	60.0	10.0
	750	11,300	11,300	1.9	0.4	61.3	57.5	62.0	12.0
	950	13,100	13,100	2.2	0.5	62.5	58	62.0	12.0
	750	9,900	9,900	1.4	0.3	63	58.2	64.0	14.0
	950	11,300	11,300	1.6	0.3	64.1	58.6	64.0	14.0

NOTICE: Due to ongoing product development; design, specification and performance data listed within this submittal document are subject to change without notice. For the most current unit/system performance data, please refer to the product literature on our website, www.enviromaster.com, or consult the factory.

CAW_33 Ceiling Cassette Air Handler Performance Data Tables

Entering Water Temp	CFM	72° F DB / 60.1° F WB							
	Low	Total Capacity (Btuh)	Sensible Capacity (Btuh)	Water Flow Rate (GPM)	Pressure Drop (Ft)	Leaving Air Temp		Leaving Water Temp (°F)	ΔT (°F)
	High					DB °F	WB °F		
40°F	750	30,100	22,300	10.0	9.4	44.9	44.8	46.0	6.0
	950	38,000	28,200	12.6	14.6	45	44.8	46.0	6.0
	750	25,300	20,100	6.3	4.0	47.5	47.5	48.0	8.0
	950	32,700	25,700	8.1	6.4	47.4	47.2	48.0	8.0
	750	21,400	18,300	4.3	1.7	49.8	49.6	50.0	10.0
	950	26,700	22,900	5.3	2.7	50	49.8	50.0	10.0
	750	17,200	16,200	2.9	0.7	52.4	51.8	52.0	12.0
	950	22,300	20,500	3.7	1.2	52.3	51.6	52.0	12.0
	750	15,700	14,900	2.2	0.5	53.9	52.6	54.0	14.0
	950	18,100	17,700	2.6	0.6	55	53.3	54.0	14.0
41°F	750	28,300	21,500	9.4	8.4	45.9	45.8	47.0	6.0
	950	35,900	27,300	11.9	13.1	45.9	45.8	47.0	6.0
	750	23,900	19,400	6.0	3.5	48.4	48.3	49.0	8.0
	950	30,800	24,900	7.7	5.7	48.1	48	49.0	8.0
	750	20,100	17,600	4.0	1.5	50.7	50.4	51.0	10.0
	950	25,000	22,000	5.0	2.4	50.9	50.5	51.0	10.0
	750	16,300	15,500	2.7	0.7	53.2	52.3	53.0	12.0
	950	20,700	19,700	3.4	1.0	53.1	52.3	53.0	12.0
	750	14,900	14,500	2.1	0.5	54.4	53	55.0	14.0
	950	17,100	16,900	2.4	0.6	55.8	53.7	55.0	14.0
42°F	750	26,700	20,800	8.9	7.5	46.8	46.7	48.0	6.0
	950	33,700	26,200	11.2	11.6	46.9	46.8	48.0	6.0
	750	22,300	18,800	5.6	3.0	49.2	49.1	50.0	8.0
	950	28,800	23,900	7.2	5.0	49.1	48.9	50.0	8.0
	750	18,700	17,000	3.7	1.2	51.3	51.1	52.0	10.0
	950	23,300	21,300	4.7	2.0	51.5	51.2	52.0	10.0
	750	15,500	14,900	2.6	0.6	53.9	52.7	54.0	12.0
	950	18,000	17,800	3.0	0.8	55	53.3	54.0	12.0
	750	14,000	13,800	2.0	0.4	55.3	53.4	56.0	14.0
	950	16,300	16,000	2.3	0.5	56.6	54	56.0	14.0
43°F	750	24,900	19,900	8.3	6.6	47.8	47.7	49.0	6.0
	950	31,800	25,300	10.6	10.4	47.7	47.6	49.0	6.0
	750	20,800	18,000	5.2	2.6	50.1	49.9	51.0	8.0
	950	26,400	22,800	6.6	4.3	50.1	49.9	51.0	8.0
	750	17,600	16,300	3.5	1.1	52.2	51.7	53.0	10.0
	950	21,900	20,400	4.4	1.8	52.4	51.8	53.0	10.0
	750	14,600	14,400	2.4	0.6	54.6	53.1	55.0	12.0
	950	17,100	16,900	2.9	0.7	55.8	53.7	55.0	12.0
	750	13,200	13,100	1.9	0.4	56.1	53.8	57.0	14.0
950	15,000	15,000	2.1	0.5	57.7	54.5	57.0	14.0	

NOTICE: Due to ongoing product development; design, specification and performance data listed within this submittal document are subject to change without notice. For the most current unit/system performance data, please refer to the product literature on our website, www.enviromaster.com, or consult the factory.

CAW_33 Ceiling Cassette Air Handler Performance Data Tables - Continued

Entering Water Temp	CFM		72° F DB / 60.1° F WB - Continued						
	Low	Total Capacity (Btuh)	Sensible Capacity (Btuh)	Water Flow Rate (GPM)	Pressure Drop (Ft)	Leaving Air Temp		Leaving Water Temp (°F)	ΔT (°F)
	High					DB °F	WB °F		
44°F	750	23,500	19,300	7.8	5.9	48.6	48.5	50.0	6.0
	950	29,800	24,500	9.9	9.2	48.6	48.5	50.0	6.0
	750	19,500	17,300	4.9	2.2	50.9	50.7	52.0	8.0
	950	24,300	21,800	6.1	3.7	51.1	50.8	52.0	8.0
	750	16,300	15,600	3.3	0.9	53	52.3	54.0	10.0
	950	20,400	19,600	4.1	1.5	53.2	52.4	54.0	10.0
	750	13,800	13,700	2.3	0.5	55.4	53.6	56.0	12.0
	950	15,900	15,900	2.6	0.6	56.8	54.2	56.0	12.0
	750	12,200	12,200	1.7	0.4	57.2	54.4	58.0	14.0
	950	14,000	14,000	2.0	0.4	58.5	54.9	58.0	14.0
45°F	750	21,900	18,500	7.3	5.2	49.5	49.4	51.0	6.0
	950	27,900	23,500	9.3	8.1	49.4	49.3	51.0	6.0
	750	18,100	16,800	4.5	1.9	51.6	51.4	53.0	8.0
	950	22,500	21,000	5.6	3.1	51.8	51.5	53.0	8.0
	750	14,500	14,300	2.9	0.7	54.6	53.2	55.0	10.0
	950	19,200	18,800	3.8	1.3	54	52.9	55.0	10.0
	750	12,800	12,800	2.1	0.5	56.4	54.1	57.0	12.0
	950	14,900	14,900	2.5	0.6	57.7	54.6	57.0	12.0
	750	11,400	11,400	1.6	0.3	58.2	54.7	59.0	14.0
	950	13,100	13,100	1.9	0.4	59.4	55.2	59.0	14.0
50°F	750	15,200	15,100	5.1	2.5	53.7	52.8	56.0	6.0
	950	19,300	19,200	6.4	4.1	53.6	52.8	56.0	6.0
	750	12,800	12,800	3.2	0.9	56.5	54.1	58.0	8.0
	950	16,000	16,000	4.0	1.5	56.7	54.1	58.0	8.0
	750	10,300	10,300	2.1	0.4	59.5	55.3	60.0	10.0
	950	12,000	12,000	2.4	0.5	60.5	55.7	60.0	10.0
	750	8,900	8,900	1.5	0.3	61.2	55.9	62.0	12.0
	950	10,200	10,200	1.7	0.3	62.2	56.3	62.0	12.0
	750	7,600	7,600	1.1	0.2	62.8	56.6	64.0	14.0
	950	8,600	8,600	1.2	0.2	63.7	56.9	64.0	14.0

CAW HOT WATER 4-PIPE CASSETTE CAPACITIES

HOT WATER ENTERING TEMPERATURE 180°F

Model	Room Conditions	Heating Capacity Btuh	Water Flow GPM	Leaving Water Temperature	P.D. Ft. H ₂ O
CAW_33	70 °F DB	49,500	5.4	160 °F	8.3
	50% RH	37,800	2.1	140 °F	2.3

* 140°F Leaving water temperature data is in accordance with ANSI/AHRI Standard 440-2008



ECR International, Inc.

2201 Dwyer Avenue • Utica, New York 13501

Phone: 800.325.5479 • Fax: 866.432.7329

E-Mail: emi@enviromaster.com • Web: enviromaster.com

NOTICE: Due to ongoing product development; design, specification and performance data listed within this submittal document are subject to change without notice. For the most current unit/system performance data, please refer to the product literature on our website, www.enviromaster.com, or consult the factory.