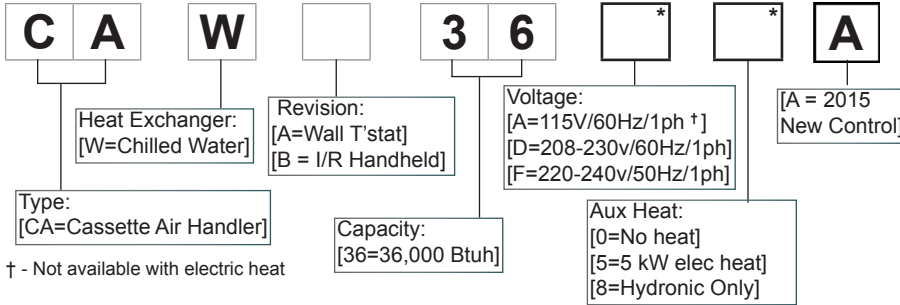


36,000 Btuh Hydronic Fan Coil Ceiling Cassette Air Handler

Indoor Air Handler Model:



† - Not available with electric heat

Order Quantity of Air Handler

36,000 Btuh Hydronic Fan Coil Ceiling Cassette Air Handler

* Select Voltage and Aux Heat option

No derate for 50Hz or 115v

Please indicate desired quantity of optional accessories for each air handler (max allowed)

24VAC Wired Thermostat, Single-Stage, 1-Heat/1-Cool, Manual Changeover, #240008208 (1)	5 1/4" Ø Discharge Air Duct Collar Kit, 2pcs, #240009786 (1 kit, any 2 non-adjacent sides)
24VAC Wired Thermostat, Single-Stage, 1-Heat/1-Cool, Auto Changeover, #240008210 (1)	3" Ø Fresh Air Duct Collar Kit, 3 pcs, #240003416 (1 kit)
OEM Hand-Held Infrared Remote Control (#240006566) (1, For all CAWB air handlers)	Condensate Pump, 144" lift, External Floor Mount, 208/230v-#240003106 / 115v-#240003107 (Unit comes w/ 30" lift pump) (1)

NOTE: Every air handler requires either a 24VAC Wall Thermostat or Hand-Held Infrared Remote

Electrical Specifications

Model #	Volts/Ph/Hz	Fan Motors		Elec Heat		Total Amps	Min Volt.	MCA	HACR BRKR
		Amps	HP	Amps	kW				
CAW_36D0	208-230/1/60	0.5,0.5	1/10,1/10	-	-	1.0	197	1.2	15
CAW_36F0	220-240/1/50	0.5,0.5	1/10,1/10	-	-	1.0	198	1.3	15
CAW_36A0	115/1/60	1.0,1.0	1/10,1/10	-	-	2.0	104	2.3	15
CAW_36D3	208-230/1/60	0.5,0.5	1/10,1/10	21.74	5.0	22.7	197	28.3	30
CAW_36F3	220-240/1/50	0.5,0.5	1/10,1/10	22.7	5.4	23.7	198	29.6	30

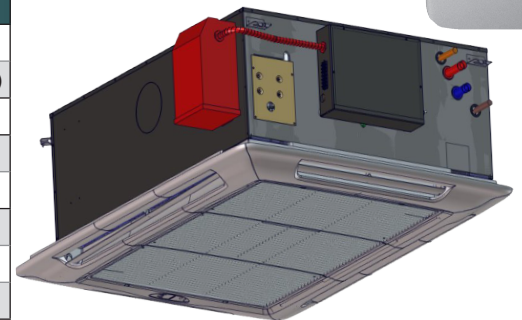


Miscellaneous Technical Data

Indoor Fan Details	High	Low	Vertical Clearance	** 16 5/8" (0.36m) min
Discharge Air Volume [CMF (L/S)]	950 (448)	750 (354)	Ceiling Opening	33 7/8" x 46" (860 x 1168 mm)
			Gross Weight	146 lbs (66.4 kg)
Indoor Sound Levels [dBA]	51	49	Washable Air Filter	3, Mesh, Metal Frame
Supply Water Inlet	*7/8" Ø			80% Arrestance
Return Water Outlet	*7/8" Ø		Condensate Pump Details	
Brand Air Duct Collar	3" Ø		Lift	Nominal Flow Rate
Fresh Air Duct Collar	5" Ø		30" Max Head	0.1 GPM

* Refrigerant Piping Outside Diameter

** Measured from interior face of drop-ceiling

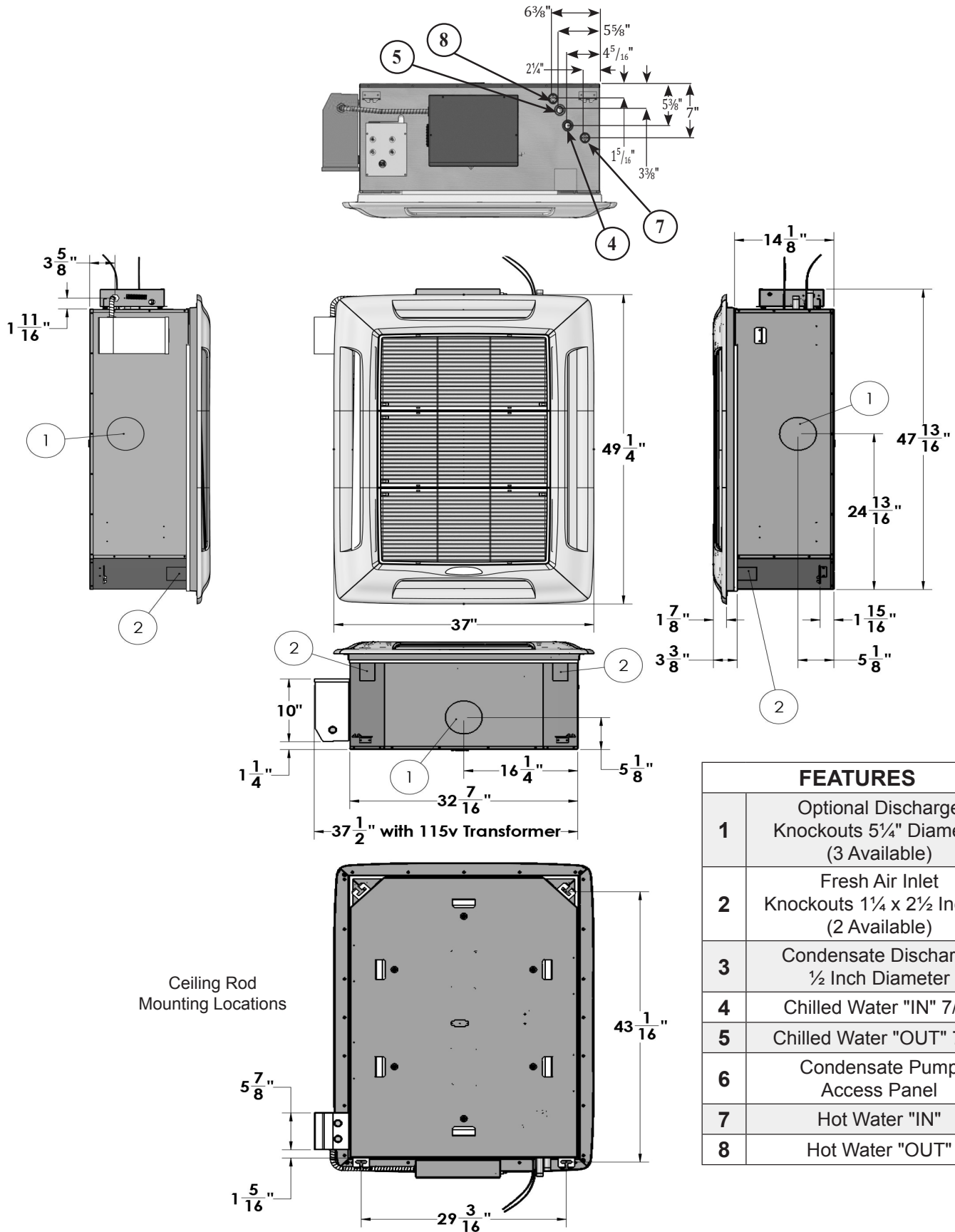


To: _____
 Date: _____
 From: _____
 Contact: _____

Project: _____
 Customer: _____
 Location: _____
 Engineer: _____
 Unit Tag# _____

For Your: Reference Approval Construction

36,000 Btuh Hydronic Fan Coil Ceiling Cassette Air Handler



FEATURES	
1	Optional Discharge Knockouts 5 1/4" Diameter (3 Available)
2	Fresh Air Inlet Knockouts 1 1/4 x 2 1/2 Inches (2 Available)
3	Condensate Discharge 1/2 Inch Diameter
4	Chilled Water "IN" 7/8"
5	Chilled Water "OUT" 7/8"
6	Condensate Pump Access Panel
7	Hot Water "IN"
8	Hot Water "OUT"

NOTICE: Due to ongoing product development; design, specification and performance data listed within this submittal document are subject to change without notice. For the most current unit/system performance data, please refer to the product literature on our website, www.enviromaster.com, or consult the factory.

CAW_36 Ceiling Cassette Air Handler Performance Data Tables

Entering Water Temp	CFM	80° F DB / 67° F WB							
	Low	Total Capacity (Btuh)	Sensible Capacity (Btuh)	Water Flow Rate (GPM)	Pressure Drop (Ft)	Leaving Air Temp		Leaving Water Temp (°F)	ΔT (°F)
	High					DB °F	WB °F		
40°F	900	57,000	35,000	18.9	31.1	44.7	44.6	46.0	6.0
	1100	67,900	41,900	22.5	43.1	45.5	45.3	46.0	6.0
	900	53,400	33,300	13.3	16.0	46.5	46.4	48.0	8.0
	1100	63,800	40,000	15.9	22.4	47.0	46.9	48.0	8.0
	900	47,400	30,600	9.5	8.5	49.2	49.1	50.0	10.0
	1100	58,400	37,600	11.6	12.5	49.0	48.9	50.0	10.0
	900	38,400	26,700	6.4	4.0	53.1	53.0	52.0	12.0
	1100	48,900	33,500	8.1	6.4	52.4	52.3	52.0	12.0
	900	32,500	24,200	4.6	2.0	55.6	55.4	54.0	14.0
	1100	39,100	29,300	5.6	3.0	55.9	55.6	54.0	14.0
41°F	900	54,900	34,000	18.2	29.0	45.7	45.6	47.0	6.0
	1100	65,300	40,700	21.7	40.2	46.4	46.3	47.0	6.0
	900	51,100	32,300	12.7	14.8	47.5	47.4	49.0	8.0
	1100	61,100	38,800	15.2	20.6	48.1	47.9	49.0	8.0
	900	44,600	29,400	8.9	7.5	50.4	50.4	51.0	10.0
	1100	55,300	36,200	11.0	11.3	50.2	50.1	51.0	10.0
	900	35,600	25,600	5.9	3.5	54.2	54.2	53.0	12.0
	1100	46,400	32,400	7.7	5.8	53.3	53.2	53.0	12.0
	900	30,300	23,400	4.3	1.7	56.5	56.3	55.0	14.0
	1100	36,600	28,300	5.2	2.6	56.7	56.4	55.0	14.0
42°F	900	52,800	33,000	17.5	26.8	46.7	46.6	48.0	6.0
	1100	62,800	39,500	20.9	37.2	47.4	47.3	48.0	6.0
	900	48,800	31,300	12.2	13.6	48.5	48.5	50.0	8.0
	1100	58,300	37,500	14.5	18.9	49.1	49.0	50.0	8.0
	900	42,300	28,400	8.4	6.8	51.4	51.4	52.0	10.0
	1100	52,500	35,000	10.5	10.2	51.2	51.1	52.0	10.0
	900	34,100	24,900	5.7	3.2	54.9	54.8	54.0	12.0
	1100	42,700	31,000	7.1	4.9	54.5	54.5	54.0	12.0
	900	29,100	22,800	4.2	1.6	57.0	56.8	56.0	14.0
	1100	35,000	27,600	5.0	2.4	57.3	56.9	56.0	14.0
43°F	900	50,600	32,000	16.8	24.8	47.7	47.6	49.0	6.0
	1100	60,100	38,300	20.0	34.2	48.4	48.3	49.0	6.0
	900	46,500	30,200	11.6	12.3	49.6	49.5	51.0	8.0
	1100	55,500	36,300	13.8	17.2	50.1	50.0	51.0	8.0
	900	39,500	27,200	7.9	6.0	52.6	52.6	53.0	10.0
	1100	49,400	33,600	9.9	9.1	52.3	52.2	53.0	10.0
	900	32,100	24,100	5.3	2.8	55.8	55.6	55.0	12.0
	1100	40,400	29,900	6.7	4.4	55.4	55.2	55.0	12.0
	900	27,100	21,900	3.9	1.4	57.9	57.6	57.0	14.0
	1100	32,700	26,500	4.7	2.1	58.1	57.7	57.0	14.0

NOTICE: Due to ongoing product development; design, specification and performance data listed within this submittal document are subject to change without notice. For the most current unit/system performance data, please refer to the product literature on our website, www.enviromaster.com, or consult the factory.

CAW_36 Ceiling Cassette Air Handler Performance Data Tables - Continued

Entering Water Temp	CFM		80° F DB / 67° F WB - Continued						
	Low	Total Capacity (Btuh)	Sensible Capacity (Btuh)	Water Flow Rate (GPM)	Pressure Drop (Ft)	Leaving Air Temp		Leaving Water Temp (°F)	ΔT (°F)
	High					DB °F	WB °F		
44°F	900	48,400	31,000	16.1	22.8	48.7	48.7	50.0	6.0
	1100	57,400	37,100	19.1	31.3	49.4	49.3	50.0	6.0
	900	44,100	29,200	11.0	11.2	50.6	50.6	52.0	8.0
	1100	52,700	35,100	13.1	15.5	51.1	51.0	52.0	8.0
	900	37,300	26,300	7.4	5.4	53.6	53.5	54.0	10.0
	1100	46,600	32,500	9.3	8.2	53.2	53.1	54.0	10.0
	900	30,000	23,300	5.0	2.4	56.6	56.4	56.0	12.0
	1100	36,800	28,500	6.1	3.7	56.5	56.4	56.0	12.0
	900	25,200	21,200	3.6	1.2	58.7	58.2	58.0	14.0
	1100	30,500	25,700	4.3	1.8	58.8	58.4	58.0	14.0
45°F	900	46,100	30,000	15.3	20.8	49.8	49.7	51.0	6.0
	1100	54,700	35,900	18.2	28.5	50.4	50.3	51.0	6.0
	900	41,700	28,100	10.4	10.1	51.7	51.6	53.0	8.0
	1100	50,000	33,900	12.5	14.1	52.1	51.9	53.0	8.0
	900	34,400	25,200	6.9	4.6	54.7	54.7	55.0	10.0
	1100	43,500	31,200	8.7	7.2	54.3	54.2	55.0	10.0
	900	28,700	22,700	4.8	2.2	57.2	56.9	57.0	12.0
	1100	34,500	27,400	5.7	3.3	57.4	57.1	57.0	12.0
	900	23,400	20,600	3.3	1.0	59.3	58.9	59.0	14.0
	1100	28,400	24,900	4.0	1.5	59.5	59.0	59.0	14.0
50°F	900	34,500	25,200	11.5	12.0	54.7	54.6	56.0	6.0
	1100	41,100	30,300	13.7	16.6	55.1	55.0	56.0	6.0
	900	29,700	23,200	7.4	5.3	56.6	56.6	58.0	8.0
	1100	36,700	28,400	9.2	7.8	56.6	56.4	58.0	8.0
	900	24,000	20,800	4.8	2.2	59.1	58.7	60.0	10.0
	1100	29,600	25,500	5.9	3.5	59.0	58.6	60.0	10.0
	900	17,500	16,800	2.9	0.7	63.0	61.1	62.0	12.0
	1100	21,100	20,300	3.5	1.1	63.3	61.2	62.0	12.0
	900	14,600	14,500	2.1	0.4	65.5	62.1	64.0	14.0
	1100	16,200	16,200	2.3	0.5	66.7	62.5	64.0	14.0

Propylene Glycol Solution Corrections (40°F EWT)				
Propylene Glycol %	Capacity Factor	Freezing Point (°F)	Tubeside Pressure Increase = 100% Capacity Factor	GPM Adjustment = 100% Capacity Factor
10%	0.90	26	1.2	1.6
20%	0.79	18	1.6	2.6
30%	0.63	7	2.3	5.8
40%	0.59	-8	3.5	13.9
50%	0.56	-29	4.9	26.7

NOTICE: Due to ongoing product development; design, specification and performance data listed within this submittal document are subject to change without notice. For the most current unit/system performance data, please refer to the product literature on our website, www.enviromaster.com, or consult the factory.

CAW_36 Ceiling Cassette Air Handler Performance Data Tables

Entering Water Temp	CFM	75° F DB / 62.55° F WB							
	Low	Total Capacity (Btuh)	Sensible Capacity (Btuh)	Water Flow Rate (GPM)	Pressure Drop (Ft)	Leaving Air Temp		Leaving Water Temp (°F)	ΔT (°F)
	High					DB °F	WB °F		
40°F	900	43,200	29,900	14.4	18.6	44.8	44.7	46.0	6.0
	1100	51,700	35,900	17.2	25.9	45.3	45.1	46.0	6.0
	900	38,200	27,500	9.5	8.6	47.2	47.1	48.0	8.0
	1100	47,000	33,700	11.7	12.7	47.1	47	48.0	8.0
	900	31,200	24,300	6.2	3.9	50.5	50.3	50.0	10.0
	1100	39,700	30,400	7.9	6.1	49.9	49.7	50.0	10.0
	900	26,600	22,300	4.4	1.8	52.5	52.3	52.0	12.0
	1100	32,000	26,900	5.3	2.7	52.7	52.5	52.0	12.0
	900	20,600	19,300	2.9	0.8	55.5	54.7	54.0	14.0
	1100	26,500	24,100	3.8	1.3	55.1	54.3	54.0	14.0
41°F	900	41,100	28,900	13.6	16.8	45.8	45.7	47.0	6.0
	1100	49,100	34,700	16.3	23.5	46.3	46.2	47.0	6.0
	900	36,100	26,600	9.0	7.7	48.2	48.1	49.0	8.0
	1100	44,400	32,600	11.1	11.4	48.1	48	49.0	8.0
	900	29,800	23,700	5.9	3.5	51.1	50.9	51.0	10.0
	1100	37,000	29,100	7.4	5.3	50.9	50.7	51.0	10.0
	900	24,800	21,400	4.1	1.6	53.4	53	53.0	12.0
	1100	29,900	25,900	5.0	2.4	53.6	53.2	53.0	12.0
	900	19,600	18,500	2.8	0.7	56.3	55.2	55.0	14.0
	1100	24,700	23,200	3.5	1.1	55.9	54.9	55.0	14.0
42°F	900	39,000	27,900	12.9	15.2	46.8	46.7	48.0	6.0
	1100	46,600	33,500	15.5	21.2	47.3	47.1	48.0	6.0
	900	33,800	25,500	8.4	6.8	49.3	49.1	50.0	8.0
	1100	41,700	31,300	10.4	10.1	49.1	49	50.0	8.0
	900	28,000	22,800	5.6	3.1	51.9	51.7	52.0	10.0
	1100	34,800	28,200	6.9	4.7	51.7	51.5	52.0	10.0
	900	23,200	20,800	3.9	1.4	54	53.7	54.0	12.0
	1100	28,000	25,100	4.7	2.0	54.2	53.8	54.0	12.0
	900	18,600	17,800	2.7	0.7	57	55.5	56.0	14.0
	1100	21,000	20,600	3.0	0.8	58	56.1	56.0	14.0
43°F	900	36,800	26,900	12.2	13.7	47.9	47.7	49.0	6.0
	1100	44,000	32,300	14.6	19.1	48.3	48.1	49.0	6.0
	900	31,900	24,700	7.9	6.1	50.1	50	51.0	8.0
	1100	39,300	30,300	9.8	9.0	50	49.9	51.0	8.0
	900	26,100	22,100	5.2	2.6	52.7	52.5	53.0	10.0
	1100	31,900	26,900	6.4	4.0	52.7	52.5	53.0	10.0
	900	21,800	19,900	3.6	1.2	54.9	54.3	55.0	12.0
	1100	26,300	24,100	4.4	1.8	55.1	54.4	55.0	12.0
	900	17,700	17,200	2.5	0.6	57.6	55.9	57.0	14.0
	1100	19,800	19,600	2.8	0.7	58.8	56.5	57.0	14.0

NOTICE: Due to ongoing product development; design, specification and performance data listed within this submittal document are subject to change without notice. For the most current unit/system performance data, please refer to the product literature on our website, www.enviromaster.com, or consult the factory.

CAW_36 Ceiling Cassette Air Handler Performance Data Tables - Continued

Entering Water Temp	CFM	75° F DB / 62.55° F WB - Continued							
	Low	Total Capacity (Btuh)	Sensible Capacity (Btuh)	Water Flow Rate (GPM)	Pressure Drop (Ft)	Leaving Air Temp		Leaving Water Temp (°F)	ΔT (°F)
	High					DB °F	WB °F		
44°F	900	34,800	26,000	11.6	12.3	48.8	48.7	50.0	6.0
	1100	41,500	31,300	13.8	17.1	49.1	49	50.0	6.0
	900	29,600	23,700	7.4	5.3	51	51	52.0	8.0
	1100	36,800	29,100	9.2	7.9	50.9	50.8	52.0	8.0
	900	24,400	21,200	4.9	2.3	53.5	53.2	54.0	10.0
	1100	29,300	25,700	5.8	3.4	53.8	53.4	54.0	10.0
	900	20,300	19,200	3.4	1.0	55.6	54.9	56.0	12.0
	1100	24,500	23,200	4.1	1.5	55.8	55	56.0	12.0
	900	16,700	16,400	2.4	0.6	58.4	56.3	58.0	14.0
	1100	18,900	18,600	2.7	0.7	59.6	56.8	58.0	14.0
45°F	900	32,700	25,000	10.9	10.9	49.7	49.6	51.0	6.0
	1100	39,200	30,200	13.1	15.4	50	49.9	51.0	6.0
	900	28,000	22,900	7.0	4.8	51.8	51.7	53.0	8.0
	1100	34,600	28,200	8.6	7.1	51.7	51.5	53.0	8.0
	900	22,800	20,600	4.5	2.0	54.2	53.9	55.0	10.0
	1100	27,300	24,900	5.5	2.9	54.4	54.1	55.0	10.0
	900	19,000	18,200	3.2	0.9	56.6	55.4	57.0	12.0
	1100	23,000	22,000	3.8	1.3	56.8	55.5	57.0	12.0
	900	15,800	15,600	2.3	0.5	59.2	56.6	59.0	14.0
	1100	17,500	17,500	2.5	0.6	60.6	57.3	59.0	14.0
50°F	900	23,000	20,800	7.6	5.6	54	53.8	56.0	6.0
	1100	28,000	25,300	9.3	8.1	54.1	53.8	56.0	6.0
	900	19,200	18,700	4.8	2.2	56.2	55.3	58.0	8.0
	1100	23,500	22,800	5.9	3.4	56.2	55.3	58.0	8.0
	900	15,800	15,800	3.2	0.9	59	56.6	60.0	10.0
	1100	19,100	19,100	3.8	1.4	59.2	56.7	60.0	10.0
	900	12,700	12,700	2.1	0.4	62.2	57.9	62.0	12.0
	1100	14,300	14,300	2.4	0.5	63.2	58.2	62.0	12.0
	900	11,000	11,000	1.6	0.3	63.9	58.5	64.0	14.0
	1100	12,300	12,300	1.8	0.3	64.8	58.8	64.0	14.0

NOTICE: Due to ongoing product development; design, specification and performance data listed within this submittal document are subject to change without notice. For the most current unit/system performance data, please refer to the product literature on our website, www.enviromaster.com, or consult the factory.

CAW_36 Ceiling Cassette Air Handler Performance Data Tables

Entering Water Temp	CFM	72° F DB / 60.1° F WB							
	Low	Total Capacity (Btuh)	Sensible Capacity (Btuh)	Water Flow Rate (GPM)	Pressure Drop (Ft)	Leaving Air Temp		Leaving Water Temp (°F)	ΔT (°F)
	High					DB °F	WB °F		
40°F	900	36,200	26,800	12.0	13.3	44.9	44.7	46.0	6.0
	1100	43,300	32,300	14.4	18.6	45.3	45.1	46.0	6.0
	900	30,700	24,300	7.7	5.7	47.5	47.3	48.0	8.0
	1100	38,200	29,900	9.5	8.6	47.2	47.1	48.0	8.0
	900	25,400	21,800	5.1	2.4	50.0	49.8	50.0	10.0
	1100	30,500	26,300	6.1	3.7	50.2	50.0	50.0	10.0
	900	21,100	19,500	3.5	1.1	52.3	51.6	52.0	12.0
	1100	25,500	23,600	4.2	1.7	52.5	51.7	52.0	12.0
	900	17,500	17,100	2.5	0.6	54.7	53.2	54.0	14.0
	1100	19,700	19,400	2.8	0.7	55.9	53.7	54.0	14.0
41°F	900	34,100	25,900	11.3	11.9	45.8	45.7	47.0	6.0
	1100	40,900	31,200	13.6	16.7	46.1	46.0	47.0	6.0
	900	29,100	23,500	7.2	5.1	48.2	48.1	49.0	8.0
	1100	35,700	28,700	8.9	7.6	48.2	48.0	49.0	8.0
	900	23,800	20,900	4.8	2.1	50.8	50.5	51.0	10.0
	1100	28,600	25,300	5.7	3.2	51.1	50.7	51.0	10.0
	900	19,700	18,700	3.3	0.9	53.1	52.3	53.0	12.0
	1100	23,700	22,600	3.9	1.4	53.3	52.4	53.0	12.0
	900	16,600	16,300	2.4	0.6	55.5	53.6	55.0	14.0
	1100	18,700	18,500	2.7	0.7	56.7	54.1	55.0	14.0
42°F	900	32,100	24,900	10.6	10.6	46.8	46.7	48.0	6.0
	1100	38,700	30,100	12.9	15.1	47.0	46.9	48.0	6.0
	900	27,000	22,500	6.7	4.5	49.2	49.0	50.0	8.0
	1100	33,700	27,800	8.4	6.8	49.0	48.8	50.0	8.0
	900	22,200	20,300	4.4	1.8	51.5	51.2	52.0	10.0
	1100	26,700	24,500	5.3	2.7	51.7	51.3	52.0	10.0
	900	17,400	17,100	2.9	0.7	54.7	53.2	54.0	12.0
	1100	22,300	21,400	3.7	1.2	54.3	52.9	54.0	12.0
	900	15,700	15,500	2.2	0.5	56.3	53.9	56.0	14.0
	1100	17,300	17,300	2.5	0.6	57.7	54.5	56.0	14.0
43°F	900	30,100	24,000	10.0	9.4	47.7	47.6	49.0	6.0
	1100	36,400	29,100	12.1	13.4	47.9	47.8	49.0	6.0
	900	24,700	21,500	6.2	3.8	50.2	50.1	51.0	8.0
	1100	31,100	26,700	7.8	5.8	49.9	49.7	51.0	8.0
	900	20,900	19,400	4.2	1.6	52.4	51.7	53.0	10.0
	1100	25,100	23,400	5.0	2.4	52.6	51.9	53.0	10.0
	900	16,500	16,300	2.8	0.7	55.5	53.6	55.0	12.0
	1100	20,600	20,300	3.4	1.0	55.2	53.4	55.0	12.0
	900	14,500	14,500	2.1	0.5	57.3	54.4	57.0	14.0
	1100	16,300	16,300	2.3	0.5	58.5	54.9	57.0	14.0

NOTICE: Due to ongoing product development; design, specification and performance data listed within this submittal document are subject to change without notice. For the most current unit/system performance data, please refer to the product literature on our website, www.enviromaster.com, or consult the factory.

CAW_36 Ceiling Cassette Air Handler Performance Data Tables - Continued

Entering Water Temp	CFM	72° F DB / 60.1° F WB - Continued							
	Low	Total Capacity (Btuh)	Sensible Capacity (Btuh)	Water Flow Rate (GPM)	Pressure Drop (Ft)	Leaving Air Temp		Leaving Water Temp (°F)	ΔT (°F)
	High					DB °F	WB °F		
44°F	900	28,300	23,200	9.4	8.4	48.5	48.5	50.0	6.0
	1100	34,300	28,200	11.4	12.0	48.7	48.5	50.0	6.0
	900	23,100	20,600	5.8	3.3	51.1	50.8	52.0	8.0
	1100	28,500	25,400	7.1	4.9	50.9	50.7	52.0	8.0
	900	19,400	18,600	3.9	1.4	53.1	52.4	54.0	10.0
	1100	23,500	22,500	4.7	2.1	53.4	52.5	54.0	10.0
	900	15,300	15,300	2.6	0.6	56.5	54.1	56.0	12.0
	1100	17,400	17,400	2.9	0.7	57.6	54.5	56.0	12.0
	900	13,600	13,600	1.9	0.4	58.2	54.8	58.0	14.0
	1100	15,200	15,200	2.2	0.5	59.4	55.2	58.0	14.0
45°F	900	26,400	22,300	8.8	7.3	49.4	49.3	51.0	6.0
	1100	32,200	27,200	10.7	10.6	49.5	49.3	51.0	6.0
	900	21,500	20,000	5.4	2.8	51.8	51.5	53.0	8.0
	1100	26,500	24,500	6.6	4.3	51.7	51.4	53.0	8.0
	900	18,200	17,900	3.6	1.2	53.9	52.9	55.0	10.0
	1100	21,900	21,500	4.4	1.8	54.2	53.0	55.0	10.0
	900	14,400	14,400	2.4	0.6	57.4	54.4	57.0	12.0
	1100	16,300	16,300	2.7	0.7	58.5	54.9	57.0	12.0
	900	12,700	12,700	1.8	0.4	59.1	55.1	59.0	14.0
	1100	14,200	14,200	2.0	0.4	60.2	55.6	59.0	14.0
50°F	900	18,300	18,100	6.1	3.6	53.7	52.9	56.0	6.0
	1100	22,400	22,200	7.4	5.3	53.6	52.8	56.0	6.0
	900	15,200	15,200	3.8	1.3	56.6	54.1	58.0	8.0
	1100	18,300	18,300	4.6	2.0	56.8	54.2	58.0	8.0
	900	11,600	11,600	2.3	0.5	60.3	55.6	60.0	10.0
	1100	13,100	13,100	2.6	0.6	61.1	55.9	60.0	10.0
	900	9,900	9,900	1.7	0.3	62.0	56.2	62.0	12.0
	1100	11,100	11,100	1.8	0.4	62.8	56.6	62.0	12.0
	900	8,400	8,400	1.2	0.2	63.5	56.8	64.0	14.0
	1100	9,300	9,300	1.3	0.2	64.3	57.1	64.0	14.0

CAW HOT WATER 4-PIPE CASSETTE CAPACITIES HOT WATER ENTERING TEMPERATURE 180°F

Model	Room Conditions	Heating Capacity Btuh	Water Flow GPM	Leaving Water Temperature	P.D. Ft. H ₂ O
CAW_36	70 °F DB	53,900	5.6	160 °F	9.2
	50% RH	40,600	2.2	140 °F	2.3

* 140°F Leaving water temperature data is in accordance with ANSI/AHRI Standard 440-2008



ECR International, Inc.

2201 Dwyer Avenue • Utica, New York 13501

Phone: 800.325.5479 • Fax: 866.432.7329

E-Mail: emi@enviromaster.com • Web: enviromaster.com

NOTICE: Due to ongoing product development; design, specification and performance data listed within this submittal document are subject to change without notice. For the most current unit/system performance data, please refer to the product literature on our website, www.enviromaster.com, or consult the factory.