



**Models**  
**15B045FE**  
**15B070FE**  
**15B096FE**  
**15B120FE**  
**15B145FE**  
**15B170FE**  
**15B195FE**  
**15B245FE**  
**15B295FE**

**15B**  
Cast Iron Gas Fired Boilers  
For Forced Hot Water

**REPAIR AND REPLACEMENT  
PARTS**

Ordering Instructions

Order Parts through your nearest supplier.

When ordering parts, obtain Model Number from data plate on your boiler.

Include following information when ordering.

Part Number \_\_\_\_\_

Part Description \_\_\_\_\_

Boiler Model Number \_\_\_\_\_

Boiler Serial Number \_\_\_\_\_



**ECR international**  
EST. 1928  
A Family of Heating & Cooling Brands.

**Manufactured by:**  
**ECR International, Inc.**

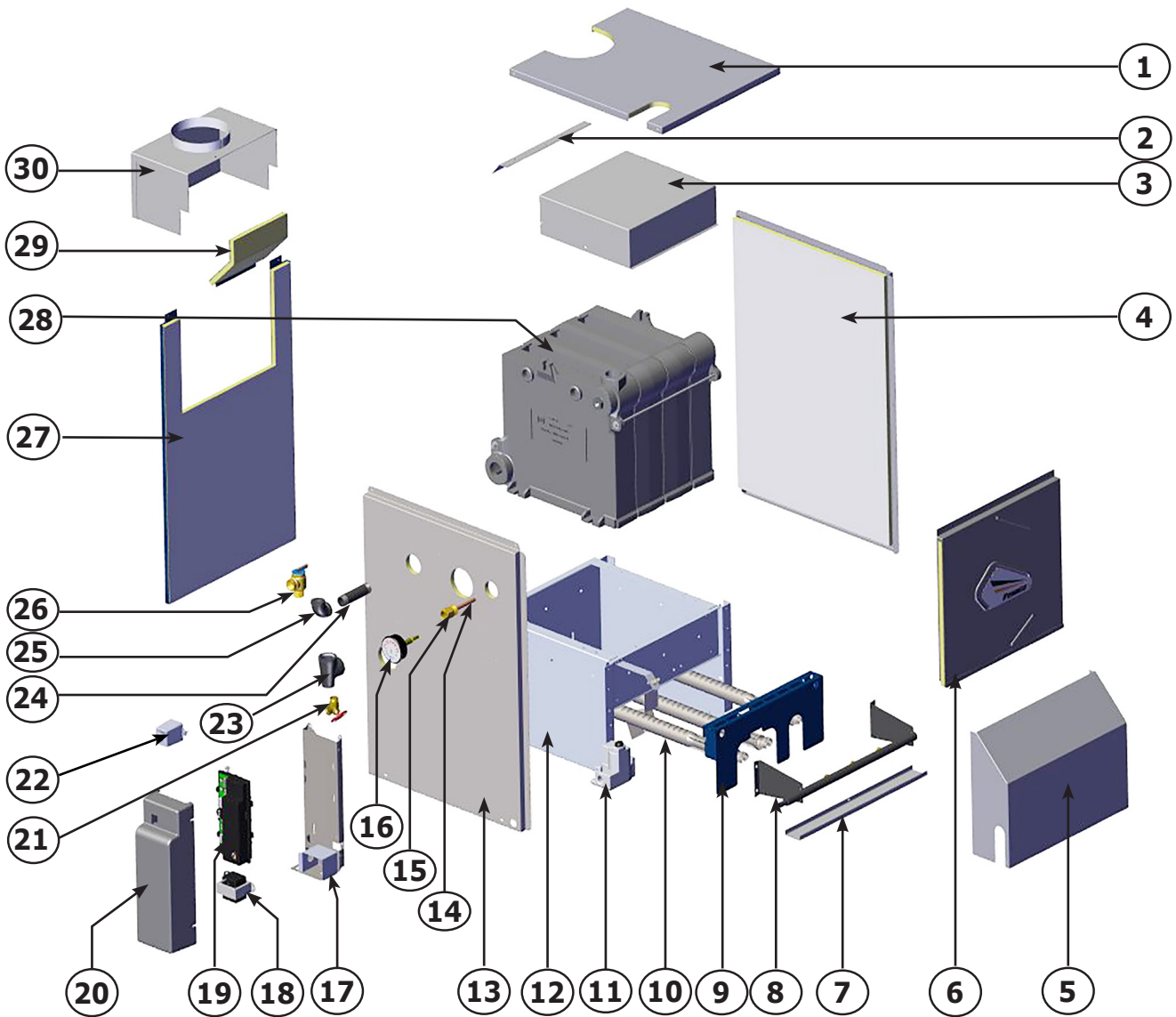
2201 Dwyer Avenue,

Utica, NY 13501

web site: [www.ecrinternational.com](http://www.ecrinternational.com)

# REPLACEMENT PARTS

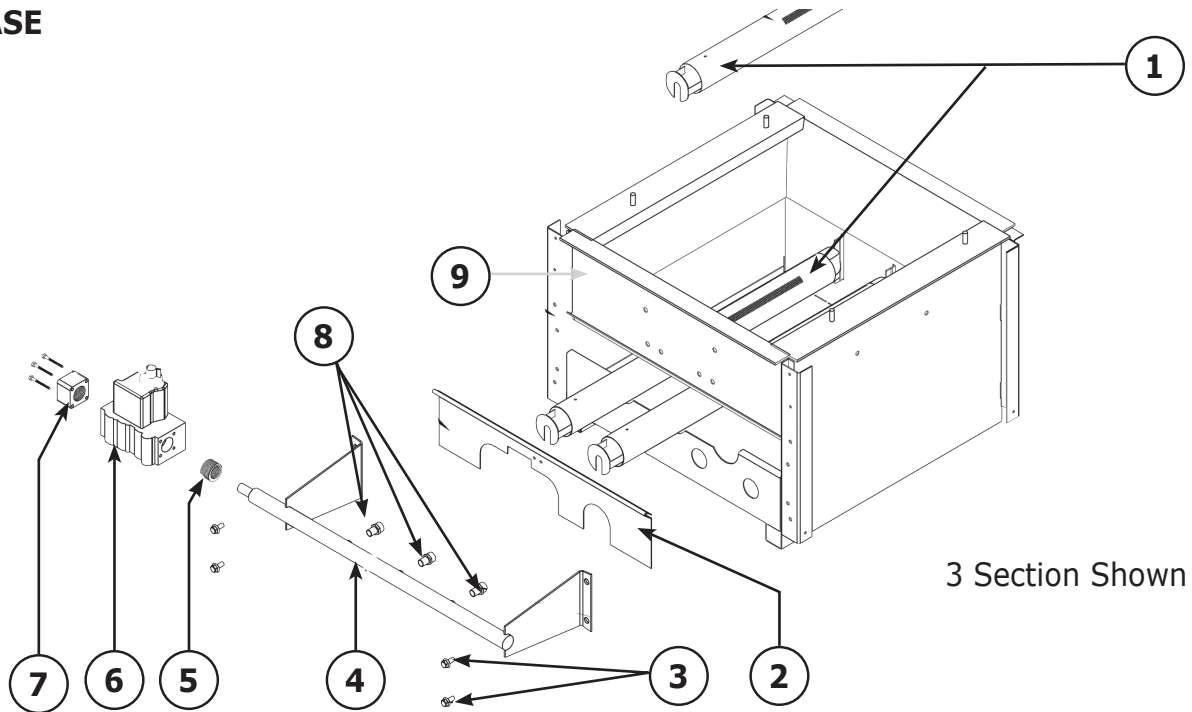
## BOILER EXPLODED VIEW



Item	Description	Item	Description	Item	Description
1	Jacket Top	13	Jacket Side Left	25	Pipe Elbow
2	Baffle	14	Pipe Bushing	26	Safety Relief Valve
3	Flue Collector	15	Well	27	Jacket Back
4	Jacket Side Right	16	Temperature Pressure Gauge	28	Heat Exchanger
5	Jacket Front Lower	17	Control Panel	29	Jacket Back to Flue
6	Jacket Front Upper	18	Transformer	30	Draft Hood
7	Tray	19	Control Board		
8	Manifold	20	Control Cover		
9	Burner Door	21	Drain Valve		
10	Burner Tube	22	Low Water Cutoff		
11	Gas Valve	23	Pipe Tee		
12	Base	24	Female Pipe Adapter		

# REPLACEMENT PARTS

## BOILER BASE

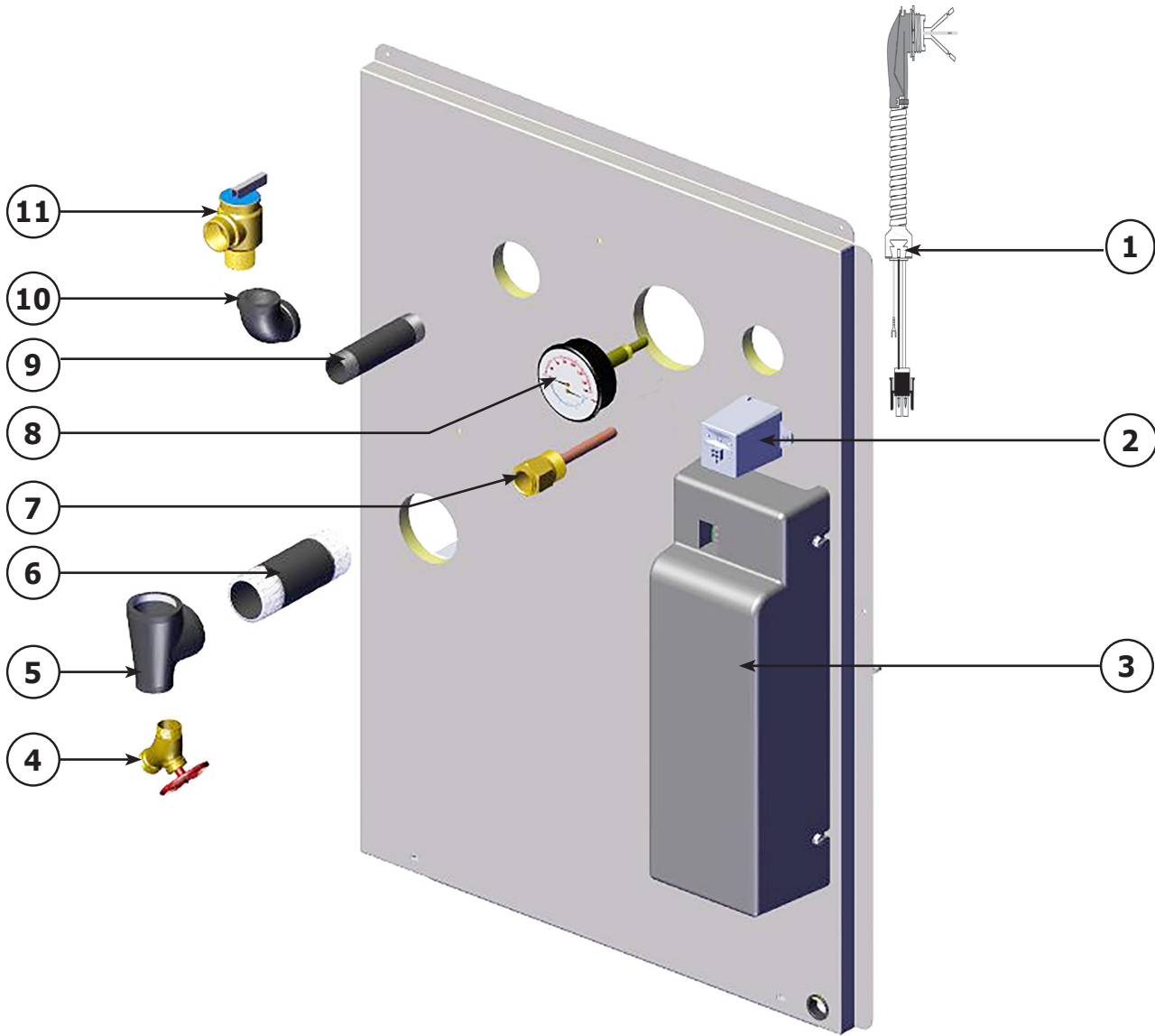


Item	Part No.	Description	QTY.
1	240005543	Burner Tube 1½" (045)	1
		Burner Tube 1½" (070, 096)	2
		Burner Tube 1½" (120, 145)	3
		Burner Tube 1½" (170, 195)	4
		Burner Tube 1½" (245)	5
		Burner Tube 1½" (295)	6
2	109009071	Burner Door (045)	1
	109009072	Burner Door (070, 096)	
	109009075	Burner Door (120, 145)	
	109009076	Burner Door (170, 195)	
	109009077	Burner Door (245)	
	109009078	Burner Door (295)	
3	HW-005.01	Screw ¼ - 20 x ½ Self Tap	4
4	356-2-1.01	Manifold (045)	1
	356-2-1.02	Manifold (070,096)	
	356-2-1.03	Manifold (120, 145)	
	356-2-1.04	Manifold (170, 195)	
	356-2-1.05	Manifold (245)	
	356-2-1.06	Manifold (295)	
5	VG-006.00	Internal Bushing ¾ x ½ (ALL LP)	1
6	VG01101	Gas Valve, Spark Nat (045-145)	1
	VG01102	Gas Valve, Spark Nat (170-195)	
	VG01103	Gas Valve, Spark Nat (245-295)	
	VG01104	Gas Valve, Spark LP (045-295)	
7	VG01601	Straight Flange - ¾" NPT (170, 195, 245, 295 - LP ONLY)	1

Item	Part No.	Description	QTY.
8	240007406	Orifice 3.2mm, Nat. (096)	2
		Orifice 3.2mm, Nat. (145)	3
		Orifice 3.2mm Nat. (195)	4
		Orifice 3.2mm, Nat. (245)	5
		Orifice 3.2mm, Nat. (295)	6
		240007405	Orifice 3.1mm, Nat (045)
	240007403	Orifice 2.9mm, Nat (120)	3
	240007403	Orifice 2.9mm, Nat (170)	4
	240007402	Orifice 2.8mm, Nat (070)	2
	355-1-5.04	Orifice #47, LP (045)	1
		Orifice #47, LP (096)	2
		Orifice #47, LP (145)	3
Orifice #47, LP (195)		4	
Orifice #47, LP (245)		5	
Orifice #47, LP (295)		6	
355-1-5.06	Orifice #49, LP (120)	3	
	Orifice #49, LP (170)	4	
	355-1-5.07	Orifice #50, LP (070)	2
9	5611601	Base w/Insul (045)	1
	5611602	Base w/Insul (070, 096)	
	5611603	Base w/Insul (120, 145)	
	5611604	Base w/Insul (170, 195)	
	5611605	Base w/Insul (245)	
	5611606	Base w/Insul (295)	
NOT SHOWN	325-2-8.01	Combustible Floor Base - 45	1
	325-2-8.02	Combustible Floor Base - 70, 96	
	325-2-8.03	Combustible Floor Base - 120, 145	
	325-2-8.04	Combustible Floor Base - 170, 195	
	325-2-8.05	Combustible Floor Base - 245	
	325-2-8.06	Combustible Floor Base - 295	

## REPLACEMENT PARTS

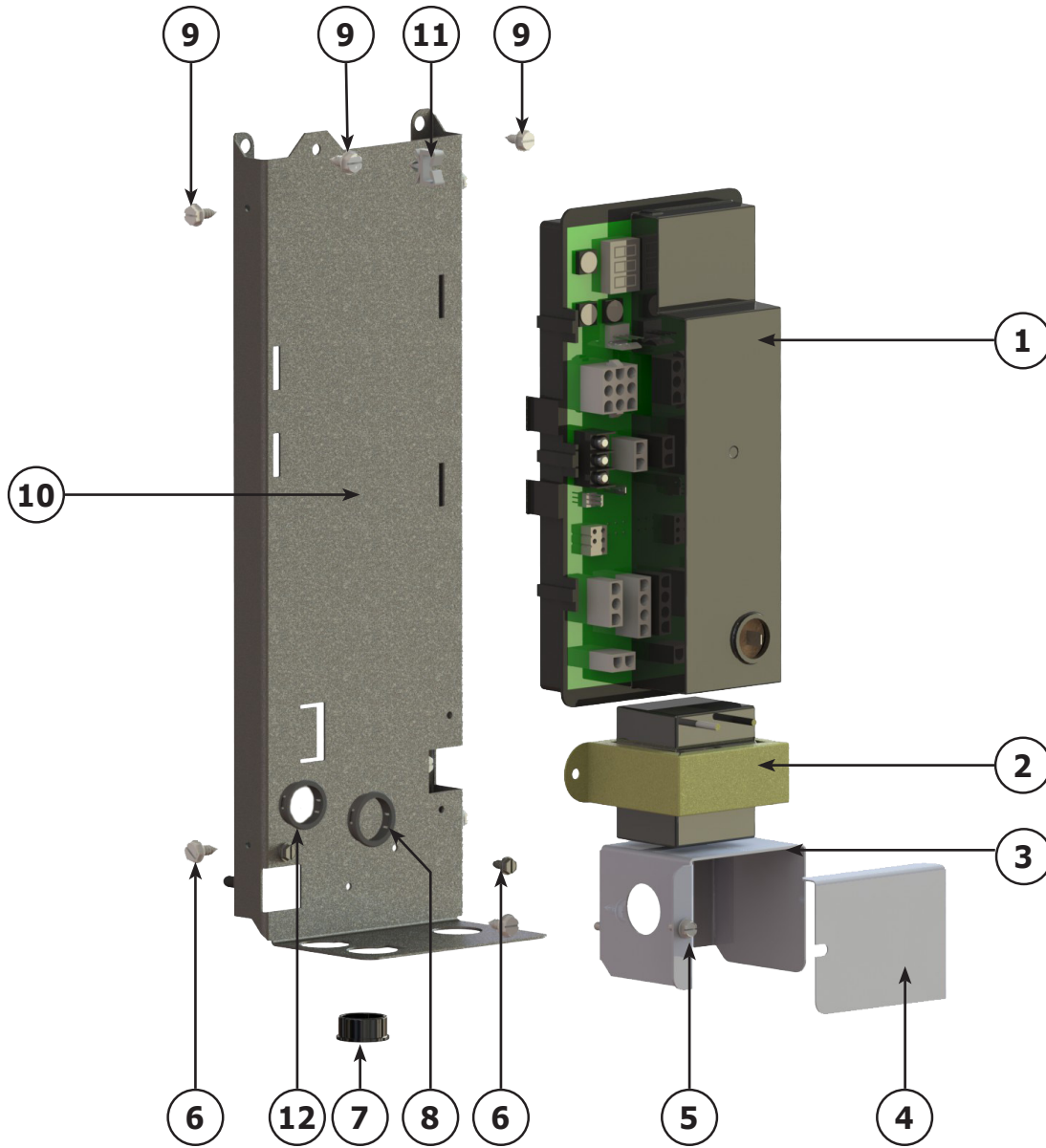
### PIPING & CONTROLS



Item	Part No.	Description	Qty.
1	240008767	60" Circulator Harness	1
2	240011833	Low Water Cutoff	1
3	108000193	Control Cover	1
4	240009323	Drain Valve	1
5	1510001	Pipe - Tee 1-1/4 x 3/4 x 1-1/4	1
6	1310002	Pipe- NPL 1-1/4 x 4-1/2 NPT	1
7	240007709	Well 3/4 x 1 1/2"	1
8	1260006	Gauge - Temperature Pressure	
9	1310001	Female Pipe - Adapter 3/4" x 4"	1
10	1190001	Pipe Elbow 3/4" 90°	1
11	VR-001.01	Relief Valve 30#	1

## REPLACEMENT PARTS

### CONTROL MODULE

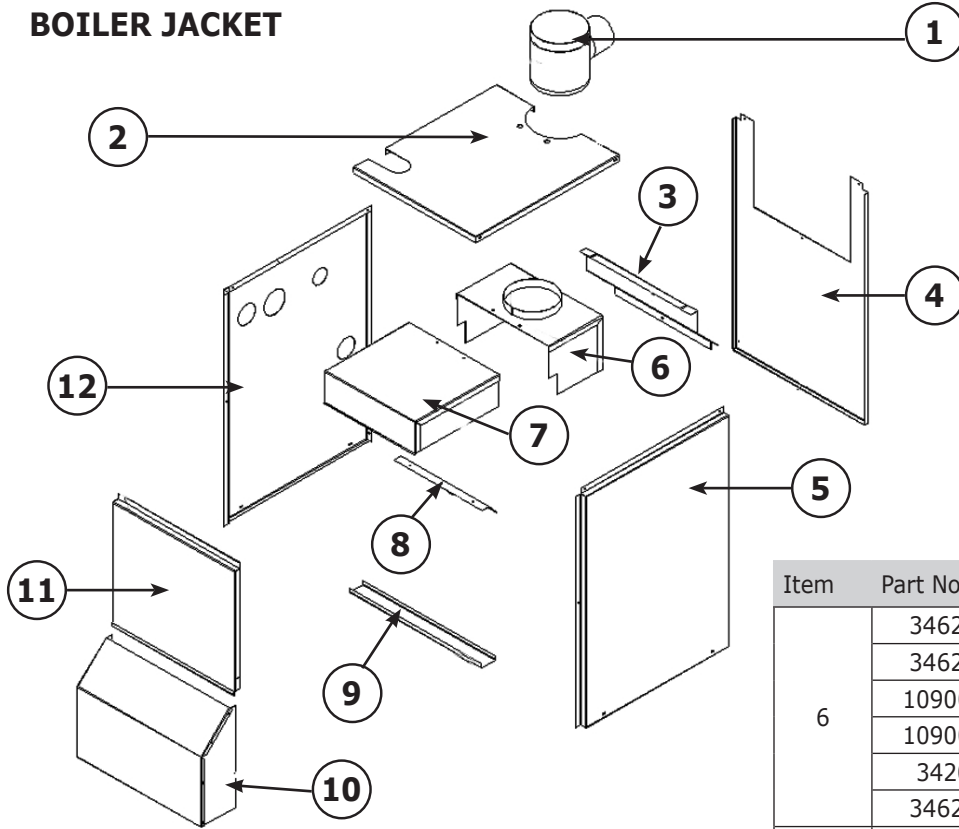


ITEM	DESCRIPTION	P/N	QTY.
1	Control Module	240011101	1
2	50 VA Transformer	14662046	1
3	J-Box	109008634	1
4	J-Box Cover	109008635	1
5	Screw# 8 X 1/2 " B Point	201000021	8
6	Ground Screw # 8	HW07701	2
7	Grommet, Plastic 7/8"	14693011	1
8	Grommet, Plastic 7/8"	206000023	1
9	Screw #10 X 1/2" , A Point	14695074	4

ITEM	DESCRIPTION	P/N	QTY.
10	Control Panel	109008507	1
11	Cable Keeper	EF03601	1
12	Grommet, Plastic 3/4"	240011095	1
*	Ground Strap	240011099	1
*	Damper Harness	240006309	1
*	Low Volt Harness	240011816	1
*	Line Volt Harness	240011055	1
* Not Shown			

## REPLACEMENT PARTS

### BOILER JACKET

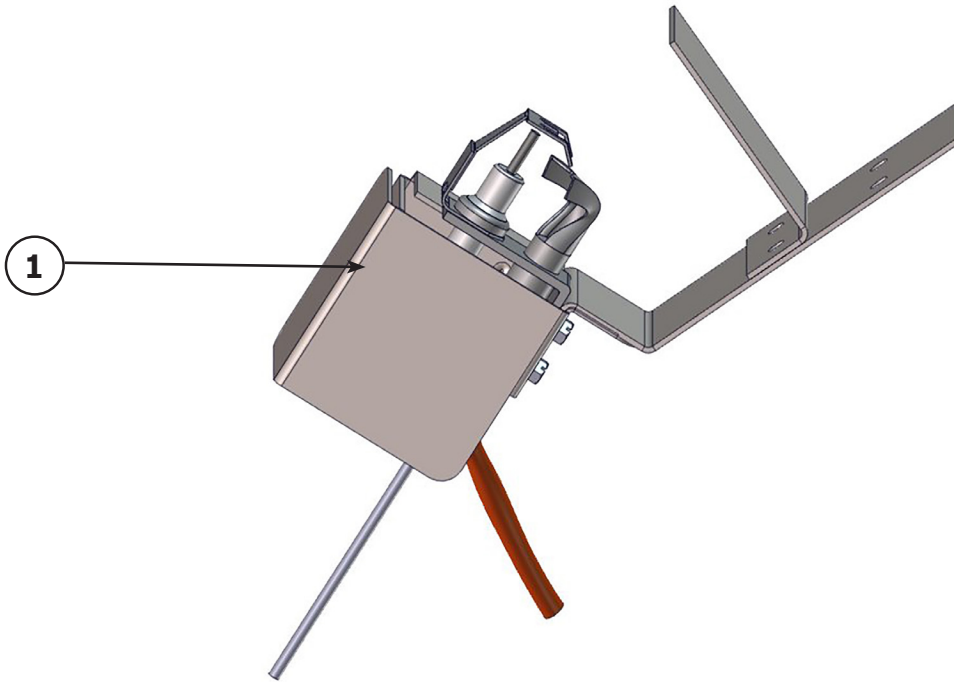


Item	Part No.	Description	Qty.
1	240006936	4" Damper (045)	1
	240006937	5" Damper (070, 096)	
	240006938	6" Damper (120, 145)	
	240006939	7" Damper (170, 195)	
	240006940	8" Damper (245)	
	240006941	9" Damper (295)	
2	109008692	Jkt Top Panel (045)	1
	109008693	Jkt Top Panel (070, 096)	
	109008694	Jkt Top Panel (120, 145)	
	109008695	Jkt Top Panel (170, 195)	
	109008741	Jkt Top Panel (245)	
	109008742	Jkt Top Panel (295)	
3	109008705	Jkt Back to Flue (045)	1
	109008706	Jkt Back to Flue (070, 096)	
	109008707	Jkt Back to Flue (120, 145)	
	109008708	Jkt Back to Flue (170, 195)	
	109008747	Jkt Back to Flue (245)	
	109008748	Jkt Back to Flue (295)	
4	109008701	Jkt Back Panel (045)	1
	109008702	Jkt Back Panel (070, 096)	
	109008703	Jkt Back Panel (120, 145)	
	109008704	Jkt Back Panel (170, 195)	
	109008745	Jkt Back Panel(245)	
	109008746	Jkt Back Panel (295)	
5	109008700	Jkt Side Right Panel (046-295)	1

Item	Part No.	Description	Qty.
6	34620601	Draft Hood (045)	1
	34620602	Draft Hood (070, 096)	
	109008554	Draft Hood (120, 145)	
	109008556	Draft Hood (170, 195)	
	3420605	Draft Hood (245)	
	34620606	Draft Hood (295)	
7	34620501	Flue Collector (045)	1
	34620502	Flue Collector (070)	
	109008571	Flue Collector (096)	
	34620503	Flue Collector (120, 145)	
	34620504	Flue Collector (170, 195)	
	34620505	Flue Collector (245)	
8	3461701	Flue Collector Restrictor (045)	1
	3461702	Flue Collector Restrictor (070)	
9	109008709	Tray (045)	1
	109008710	Tray (070, 096)	
	109008711	Tray (120, 145)	
	109008712	Tray (170, 195)	
	109008749	Tray (245)	
	109008750	Tray (295)	
10	550003065	Jkt Front Lower (045)	1
	550003066	Jkt Front Lower (070, 096)	
	550003067	Jkt Front Lower (120, 145)	
	550003068	Jkt Front Lower (170, 195)	
	550003069	Jkt Front Lower (245)	
	550003070	Jkt Front Lower (295)	
11	109009943	Jkt Front Upper (045)	1
	109009944	Jkt Front Upper (070, 096)	
	109009945	Jkt Front Upper (120, 145)	
	109009946	Jkt Front Upper (170, 195)	
	109009947	Jkt Front Upper (245)	
	109009948	Jkt Front Upper (295)	
12	109009925	Jkt Side Left Panel (046-295)	1

## REPLACEMENT PARTS

### SPARK PILOT



#### Spark Pilot Kit - Natural Gas & LP/Propane 550003039

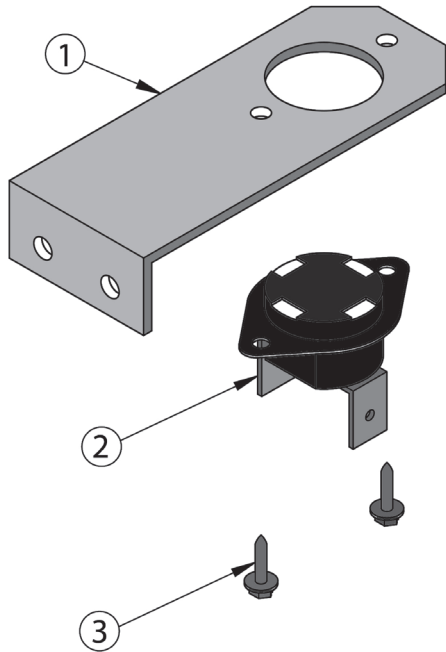
Item	Description	Qty.
1	PILOT AND BRACKET ASSEMBLY	1
*	BRACKET SCREW	2
*	LP ORIFICE - BBR 11	1
*	COMPRESSION FITTING	1

\* Not Shown

## REPLACEMENT PARTS

### ROLLOUT/BLOCKED VENT SAFETY SWITCHES

#### 3 Section Rollout Switch Bracket



Temperature Sensor Bracket			
ITEM	PART NO.	DESCRIPTION	QTY.*
1	32611001	2, 3 Section Temp. Sensor Bracket	1
	109008517	4 Section Temp. Sensor Bracket	1
	109008518	5-7 Section Temp. Sensor Bracket	1
2	AQ02101	Temperature Switch (Blocked Vent/ Rollout Switch)	1
3	HW06501	Screw - #6 x 1/4" Hex HD	2
not shown	240010064	Harness, Rollout/spill switch, 48"	1

\*Rollout switch is located on base; blocked vent on flue collector.  
NOTE: Quantities are for each switch.

### HEAT EXCHANGERS

#### FULLY ASSEMBLED HEAT EXCHANGERS

912000001	Heat Exchanger (2 Section)
912000002	Heat Exchanger (3 Section)
912000003	Heat Exchanger (4 Section)
912000004	Heat Exchanger (5 Section)
912000005	Heat Exchanger (6 Section)
912000006	Heat Exchanger (7 Section)

### CONVERSION KITS

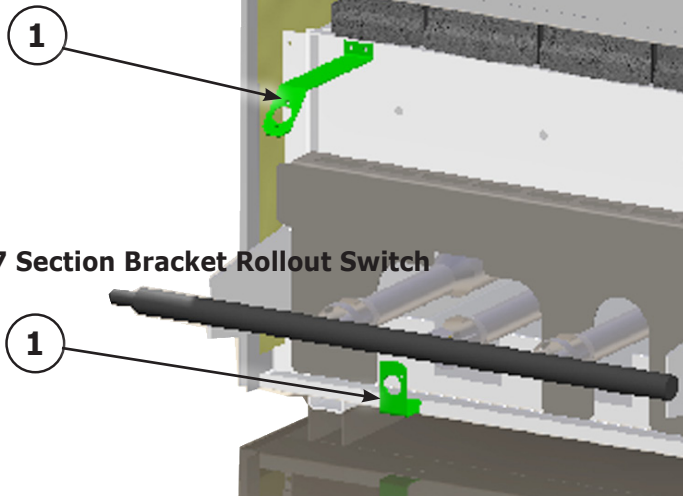
#### NATURAL GAS TO PROPANE (LP)

Model	Part No.	Description
045	550001279	Kit, Conversion, Natural to LP
070	550001280	Kit, Conversion, Natural to LP
096	550001281	Kit, Conversion, Natural to LP
120	550001282	Kit, Conversion, Natural to LP
145	550001283	Kit, Conversion, Natural to LP
170	550001284	Kit, Conversion, Natural to LP
195	550001285	Kit, Conversion, Natural to LP
245	550001286	Kit, Conversion, Natural to LP
295	550001287	Kit, Conversion, Natural to LP

#### LP TO NATURAL GAS

Model	Part No.	Description
045	550001270	Kit, Conversion, LP to Natural
070	550001271	Kit, Conversion, LP to Natural
096	550001272	Kit, Conversion, LP to Natural
120	550001273	Kit, Conversion, LP to Natural
145	550001274	Kit, Conversion, LP to Natural
170	550001275	Kit, Conversion, LP to Natural
195	550001276	Kit, Conversion, LP to Natural
245	550001277	Kit, Conversion, LP to Natural
295	550001278	Kit, Conversion, LP to Natural

#### 4 Section Rollout Switch Bracket



#### 5-7 Section Bracket Rollout Switch